

# American Standard

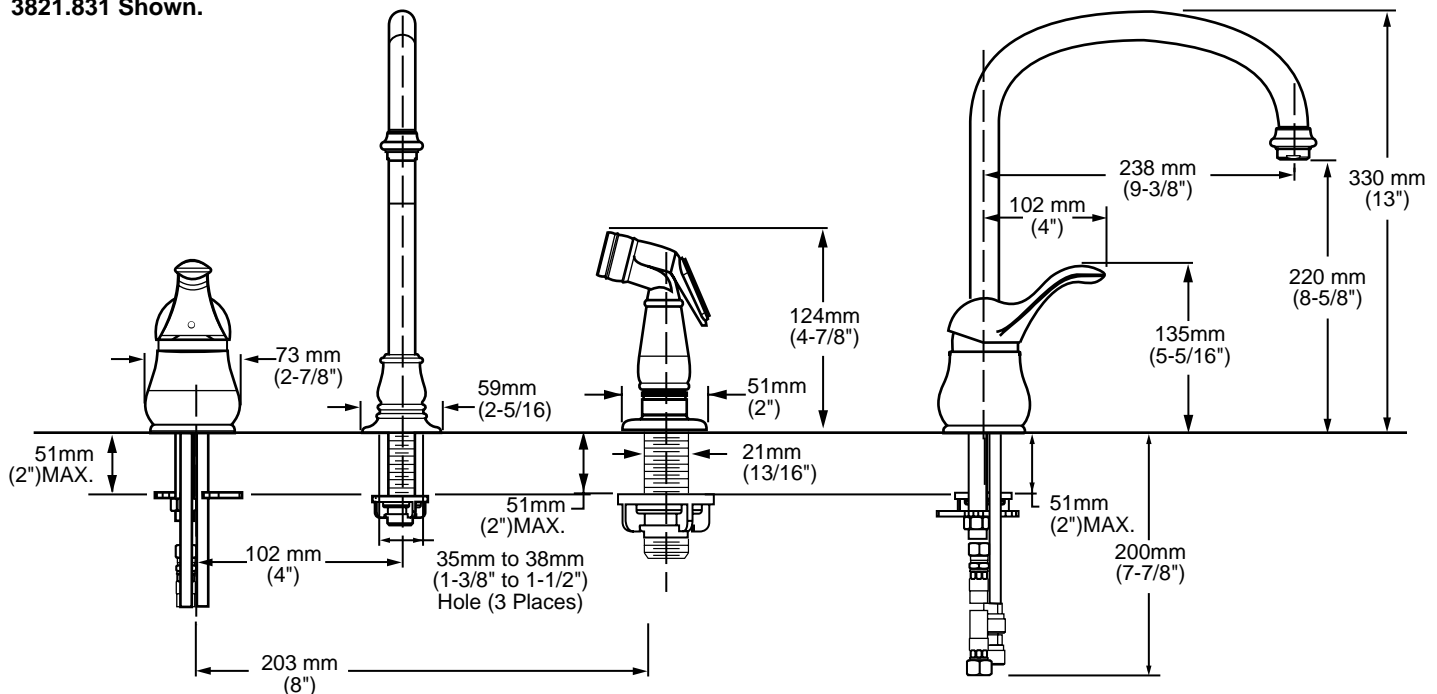
# JASMINE

## SINGLE CONTROL KITCHEN FAUCET WITH HI-FLOW SPOUT & CONCEALED MOUNTING

### MODEL NUMBER:

- 3821.831 Kitchen Faucet With Hi-Flow Spout**  
Handspray. 3/8" O.D. copper inlets.
- 3821.834 Kitchen Faucet With Hi-Flow Spout**  
Handspray. 1/2" male threaded connectors and nuts.

3821.831 Shown.



### GENERAL DESCRIPTION:

Brass body with metal lever handle and 22mm (7/8") diameter Hi-Flow brass swing spout (13" high with 8-5/8" clearance). Handspray. Washerless 47mm ceramic disc valve cartridge. Choice of 3/8" O.D. copper inlets or copper supplies with 1/2" male threaded connectors and nuts. 2.2gpm/8.3L/min. maximum flow rate. Cap provided for less spray application. Flexible hose connections allow for variation in placement of handle, spout and spray.

### PRODUCT FEATURES:

**Brass and Copper Waterway:** Highest quality faucet materials for durability & long life.

**Memory Position Valving:** Allows user to turn valve on and off at preferred temperature setting without readjusting handle position each time.

**Ceramic Disc Valve Cartridge:** Assures a lifetime of drip-free performance.

**Larger Spout:** Increased height, reach and diameter.

**Low Lead:** Meets NSF Standard 61/Section 9 & Prop 65 lead requirements.

**Choice of Finishes:** Wide range of durable finishes.

### SUGGESTED SPECIFICATION:

Single control kitchen fitting shall feature a brass body with metal handle and brass swing spout. Brass and copper waterways. Shall also feature washerless ceramic disc valve cartridge. Fitting shall be American Standard Model # 3821.\_\_\_\_.\_\_\_\_.



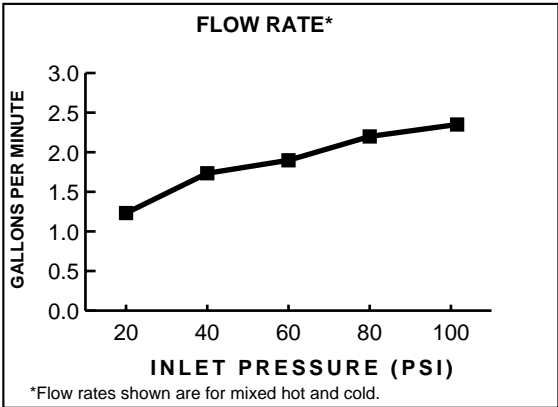
# JASMINE

## SINGLE CONTROL KITCHEN FAUCET WITH HI-FLOW SPOUT & CONCEALED MOUNTING


### CODES AND STANDARDS

These products meet or exceed the following codes and standards:

- ANSI A117.1
- ASME A112.18.1
- NSF 61/Section 9
- CSA B125



Product Number	Description	Finish Options							
		Polished Chrome	Bone	PVD Blackened Bronze	PVD Polished Brass	White Heat	PVD Satin	PVD Satin/Brass mix	Chrome /PVD Brass mix
		002	021	068	099	208	295	297	299
3821.831	Kitchen Faucet. Handspray. 3/8" O.D. copper inlets.								
3821.834	Kitchen Faucet. 1/2" male threaded connectors and nuts.								

 Meets the American Disabilities Act Guidelines and **ANSI A117.1** Requirements for the physically challenged.