

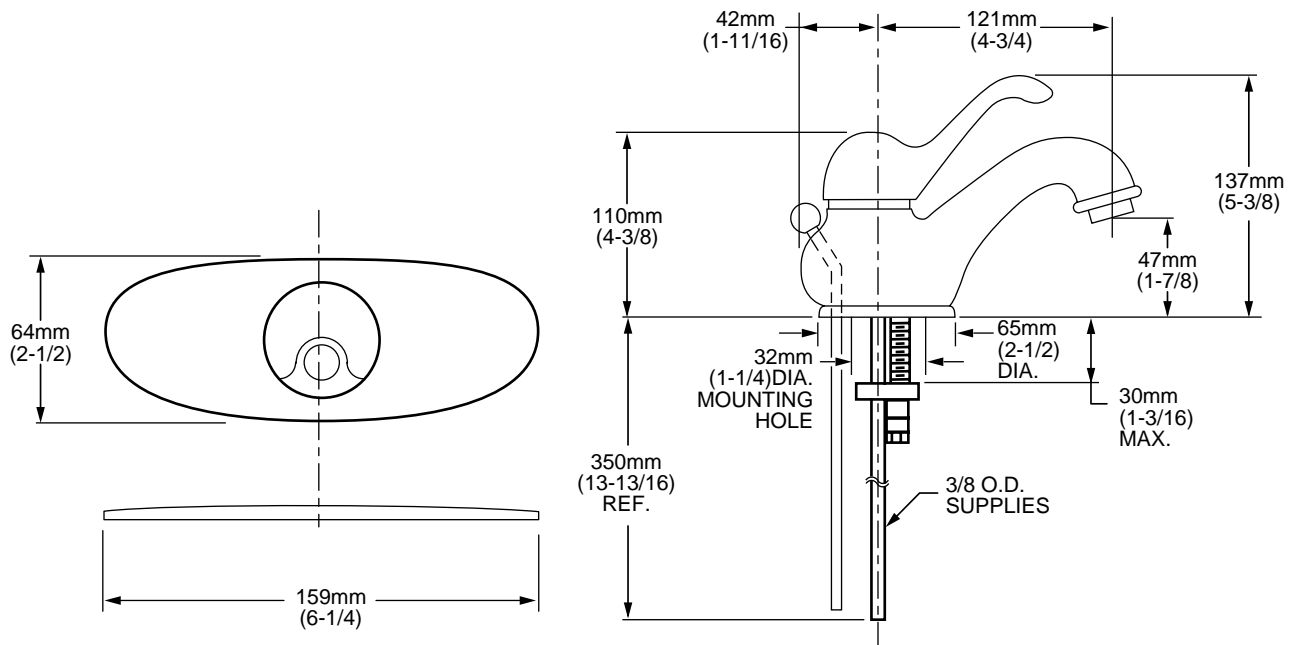
American Standard

JASMINE

SINGLE CONTROL LAVATORY FAUCET

MODEL NUMBER:

- ❑ **3808.101 Single Control Lavatory**
Pop-up drain. Escutcheon (for mounting on 4" centers)
Decorative trim ring (for single hole mounting)



GENERAL DESCRIPTION:

Cast brass body. Metal handle. Washerless 47mm ceramic disc valve cartridge. Equipped with a hot limit safety stop. 14" long, 3/8" O.D. copper supplies. Fitting can be mounted on 4" centers using supplied brass escutcheon or by single hole mounting method using supplied decorative ring. 2.2 gpm/8.3L/min. maximum flow rate.

PRODUCT FEATURES:

Brass and Copper Waterway: Highest quality faucet materials for durability & long life.

Ceramic Disc Valve Cartridge: Assures a lifetime of drip-free performance.

Adjustable Hot Limit Safety Stop: Limits the amount of hot water allowed to mix with cold. Reduces the risk of accidental scalding.

Wide Comfort Zone: Gives more sensitive temperature control.

Low Lead: Meets NSF Standard 61/Section 9 & Prop 65 lead requirements.

Choice of Finishes: Wide range of durable finishes.

SUGGESTED SPECIFICATION:

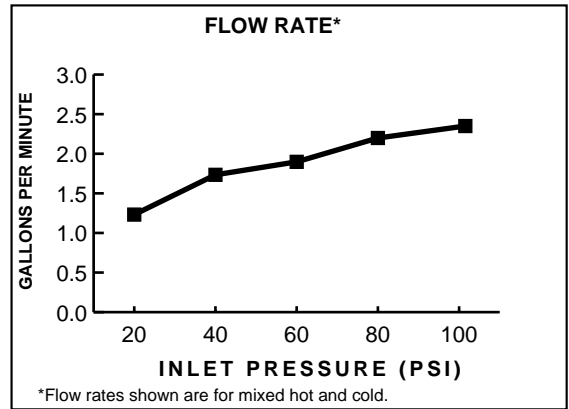
Single control lavatory faucet shall feature a cast brass body and all metal handle. Shall also feature washerless ceramic disc valve cartridge. Fitting shall be equipped with a hot limit safety stop. Fitting shall be American Standard Model # 3808.101.____.

SINGLE CONTROL LAVATORY FAUCET


CODES AND STANDARDS

These products meet or exceed the following codes and standards:

- ANSI A117.1**
- ASME A112.18.1M**
- CSA B 125**
- NSF 61/Section 9**



Product Number	Description	Finish Options								
		Polished Chrome	Polished Nickel	PVD B Nickel /Brass Mix	PVD Blackened Bronze	PVD Polished Brass	Satin (PVD) /Chrome Mix	PVD Satin	PVD Satin /Brass Mix	PChrome /PVD Brass Mix
		002	008	062	068	099	221	295	297	299
3808.101	Jasmine single control lavatory faucet. Pop-up drain.									

 Meets the American Disabilities Act Guidelines and **ANSI A117.1** Requirements for the physically challenged.