

*American Standard*

# COLONY SOFT COLONY

## THREE-HANDLE BATH/SHOWER FITTINGS



3375.502 Shown

### MODEL NUMBER:

#### COLONY SOFT

- 3375.502 Bath/Shower Fitting  
I.P.S. tub spout. Easy Clean showerhead.  
Metal Lever handles.



#### COLONY

- 3375.302 Bath/Shower Fitting  
I.P.S. tub spout. Easy Clean showerhead.  
Acrylic Knob handles.



### GENERAL DESCRIPTION:

Cast brass valve body on 8 inch centers. 1/4 turn washerless ceramic disc valve cartridges - reversible for use with either lever or knob handles. 1/2" N.P.T. female threaded inlets and outlets. Easy clean showerhead with 2.5 gpm/9.5L/min. flow restrictor.

### PRODUCT FEATURES:

**Brass Construction:** Durable - Ideal for prolonged contact with water. Provides the finest surface for application of all finishes.

**Ceramic Disc Valve Cartridges:** Assures a lifetime of smooth handle operation and drip-free performance.

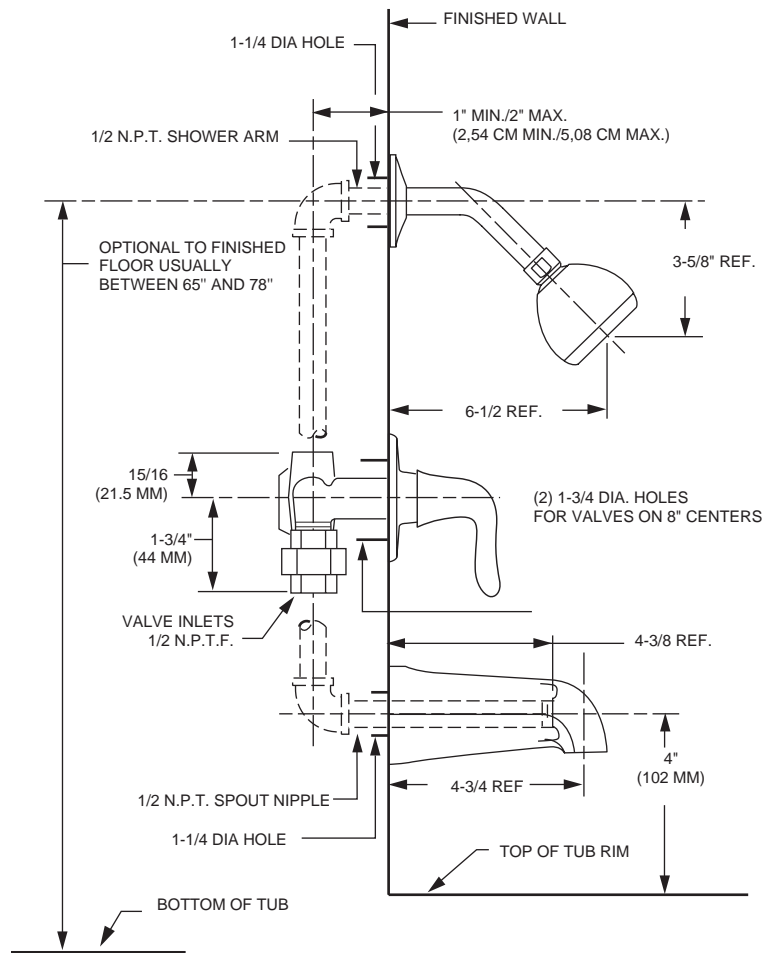
**Integral Unions:** No soldering required.

**Exclusive Handle Alignment System:** Allows fine tuning of handle position.

**Choice of Finishes:** Wide range of durable finishes.

**Exclusive Plaster Guard:** Plaster guard can be used to test for leaks prior to handle installation.

**Lifetime Limited Warranty**



### SUGGESTED SPECIFICATION:

Three handle bath/shower fitting shall feature cast brass construction. Shall also feature 1/4 turn washerless ceramic disc valve cartridges that are reversible for use with lever or knob handles. Fitting shall be American Standard Model # 3375.\_\_\_\_.



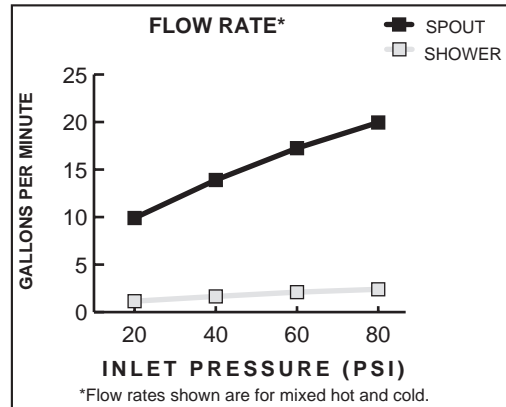
# COLONY SOFT COLONY


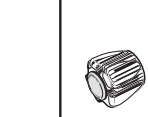
## THREE-HANDLE BATH/SHOWER FITTINGS

### CODES AND STANDARDS


These products meet or exceed the following codes and standards:

**ASME A112.18.1M**  
**CSA B 125**



	Product Number	Description	Finish Options	
			Polished Chrome	PVD Polished Brass
			002	099
	3375.502	Three handle Bath/Shower. I.P.S. tub spout. Easy Clean Showerhead. Metal Lever handles.		
	3375.302	Three handle Bath/Shower. I.P.S. tub spout. Easy Clean showerhead. Acrylic Knob handles.		<b>N/A</b>

**N/A = NOT AVAILABLE**

 Meets the American Disabilities Act Guidelines and **ANSI A117.1** Requirements for the physically challenged.