

**OAKMONT CHAMPION®
ELONGATED RIGHT HEIGHT™ TOILET**

2738.016

- Vitreous china
- Low-consumption (6.0 Lpf/1.6 gpf)
- Features the **Champion® Flushing System** performance platform
- 3" non-adjustable, flapper-free flush valve
- 16-1/2" rim height for Accessible applications
- Elongated siphon action jetted bowl
- 2-3/8" fully-glazed trapway
- Speed Connect™ tank/bowl coupling system
- Chrome-plated trip lever
- Sweeping pier on bowl
- 100% factory flush tested
- 2 bolt caps
- 10 year warranty

3101.016 Elongated Right Height™ Bowl

4272.016 Tank



Nominal Dimensions:

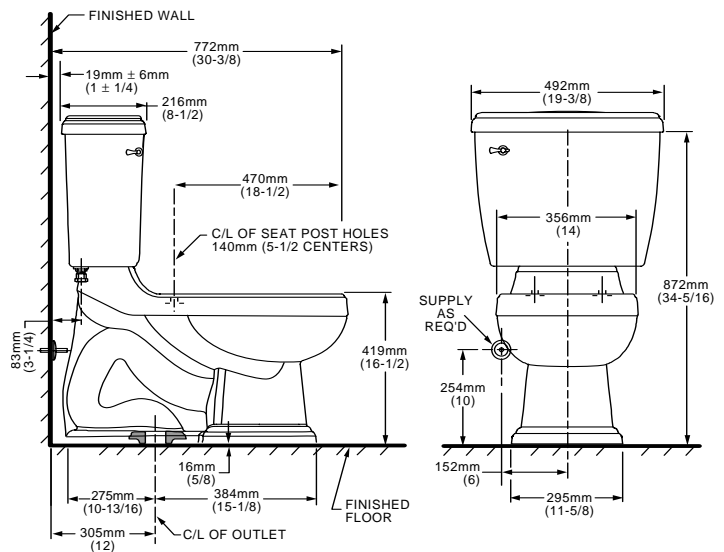
30-3/8" x 19-3/8" x 34-5/16"
(772 x 492 x 872mm)

Fixture only, seat and supply by others

Compliance Certifications -

Meets or Exceeds the Following Specifications:

- ASME A112.19.2M (and 19.6M) for Vitreous China Fixtures - includes Flush Performance, Ball Pass Diameter, Trap Seal Depth and all Dimensions
- Los Angeles Department of Water and Power Supplementary Purchase Specification for Non-Adjustability - July, 2003 revision



NOTES:

THIS TOILET IS DESIGNED TO ROUGH-IN AT A MINIMUM DIMENSION OF 305MM (12") FROM FINISHED WALL TO C/L OF OUTLET.

SUPPLY NOT INCLUDED WITH FIXTURE AND MUST BE ORDERED SEPARATELY.

* DIMENSION SHOWN FOR LOCATION OF SUPPLY IS SUGGESTED.

IMPORTANT: Dimensions of fixtures are nominal and may vary within the range of tolerances established by ANSI Standard A112.19.2.

These measurements are subject to change or cancellation. No responsibility is assumed for use of superseded or voided pages.

To Be Specified

Color:

- White Bone Silver
- Fawn Beige Linen Black

Seat: (please specify color)

- Champion® Slow Close Elongated #5325.010
- Rise & Shine Elongated #5324.019
- Laurel Elongated #5311.012

Supply with stop:

