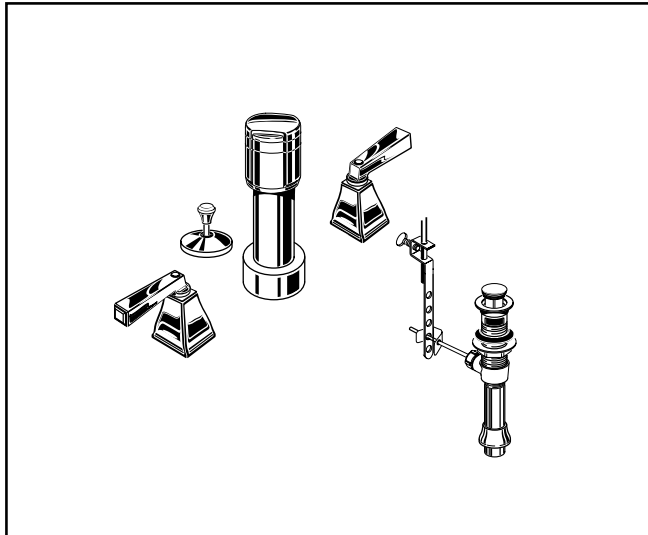


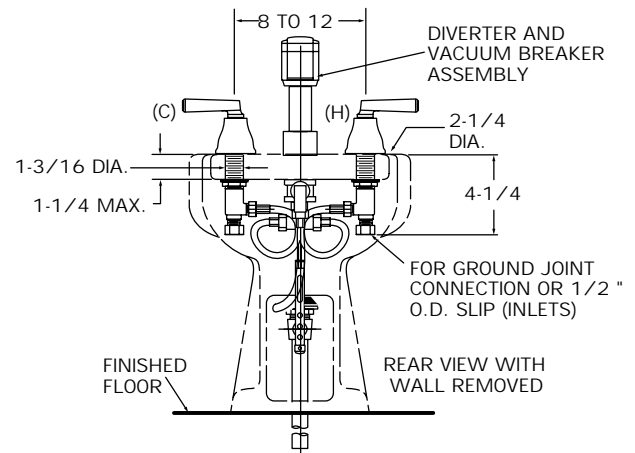
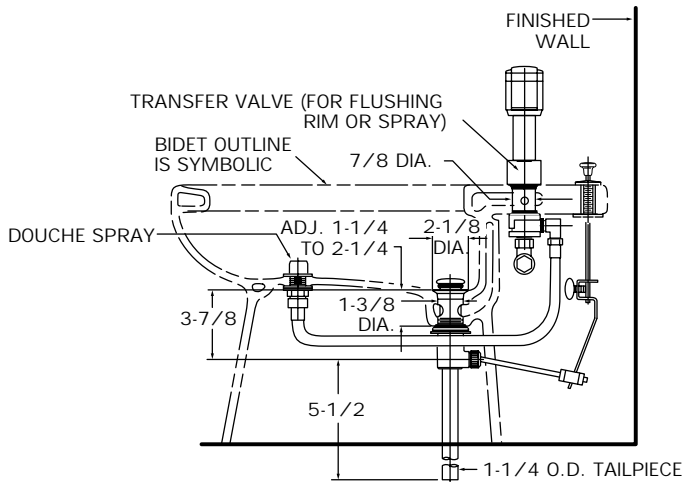
# American Standard



## TOWN SQUARE FIXTURE-MOUNTED BIDET FITTING

### MODEL NUMBER:

- 2555.401 Fixture-Mounted Bidet Fitting**  
Vacuum breaker. Pop-up drain. Metal Lever handles.
- 2555.400 Fixture-Mounted Bidet Fitting**  
Less vacuum breaker. Pop-up drain. Metal Lever handles.



### GENERAL DESCRIPTION:

Cast brass valve bodies. Amarisil 1/4 turn washerless ceramic disc valve cartridge. Diverter controls water flow between douche spray and flushing rim. Douche spray has built-in spray height adjustment.

### PRODUCT FEATURES:

**Brass Construction:** Durable - Excellent in high use applications. Ideal for prolonged contact with water. Provides the finest surface for application of all colors and finishes.

**Ceramic Disc Valve Cartridges:** Assures a lifetime of smooth handle operation and drip-free performance.

**Choice of Finishes:** Lifetime finishes that won't tarnish or scratch.

**Lifetime Warranty**

### SUGGESTED SPECIFICATION:

Two handle deck-mount bidet fitting with matching pop-up drain shall feature solid brass construction. Shall also feature 1/4 turn ceramic disc valve cartridges. Fitting shall be American Standard Model # 2555.40X.



# TOWN SQUARE FIXTURE-MOUNTED BIDET FITTING

## CODES AND STANDARDS

These products meet or exceed the following codes and standards:

- ASME A112.18.1M
- CSA B 125
- ASSE 1001

Product Number	Description	Finish Options		
		Polished Chrome	PVD Polished Brass	PVD Satin
		002	099	295
2555.401	Fixture-mounted bidet fitting. Vacuum breaker. Pop-up drain. Metal Lever handles.			
2555.400	Fixture-mounted bidet fitting. Less vacuum breaker. Pop-up drain. Metal Lever handles.			

Meets the American Disabilities Act Guidelines and **ANSI A117.1** Requirements for the physically challenged.