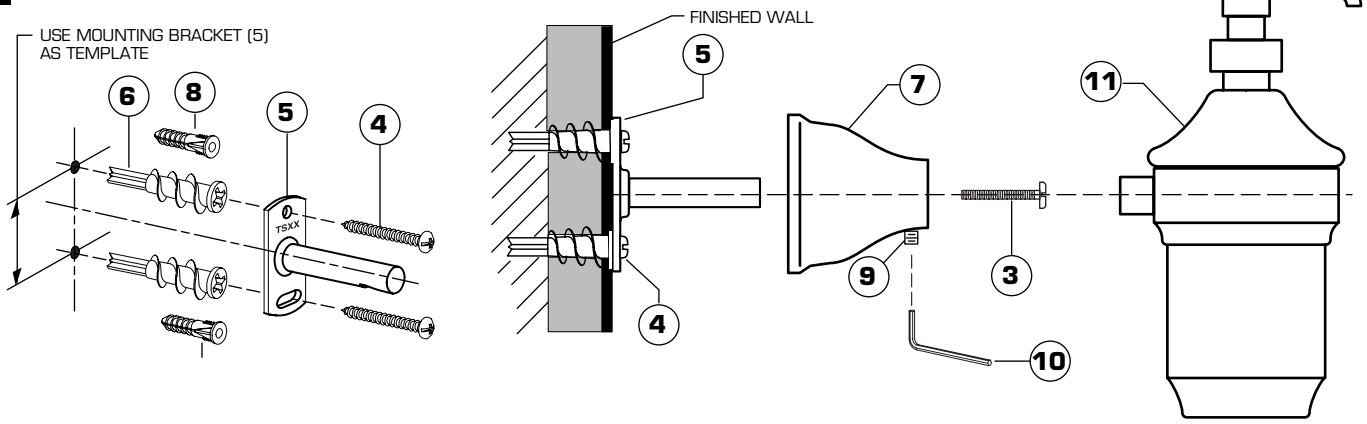


2

INSTALL LOTION/SOAP DISPENSER



American Standard

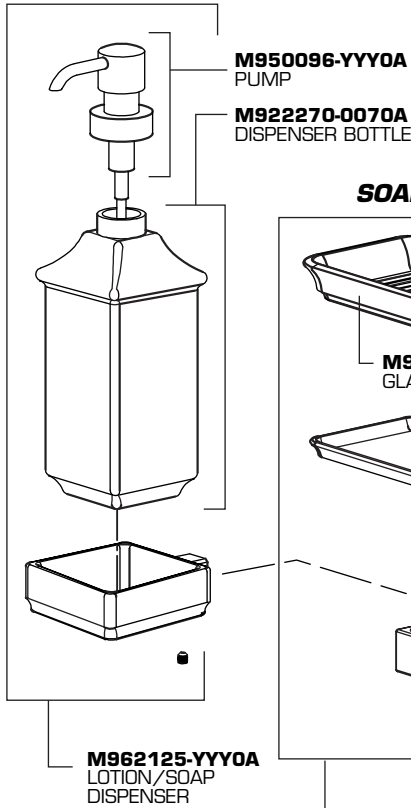
TOWNSQUARE ACCESSORIES

SOAP DISH
TUMBLER WITH TOOTHBRUSH HOLDER
LOTION/SOAP DISPENSER

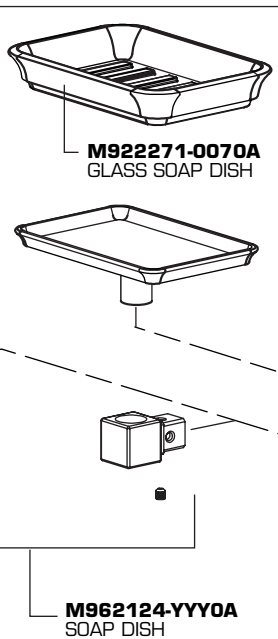
MODEL NUMBERS

2555.050
2555.091
2555.051

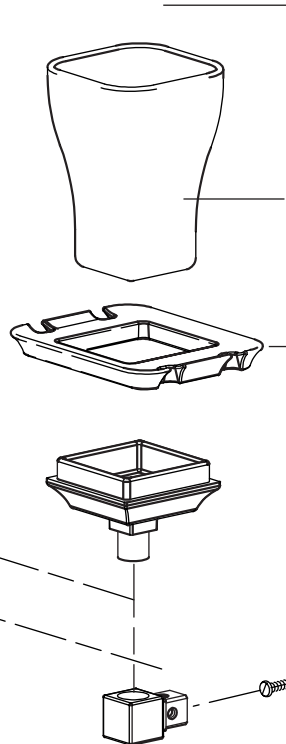
LOTION/SOAP DISPENSER



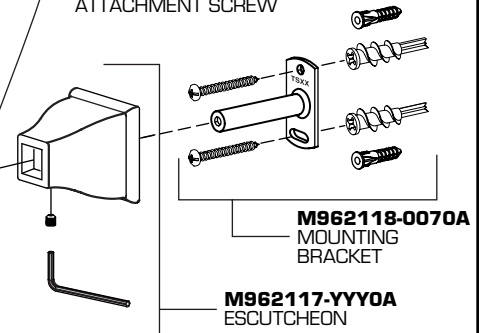
SOAP DISH



TUMBLER WITH TOOTHBRUSH HOLDER



A918486-0070A ATTACHMENT SCREW



Replace the "YYY" with appropriate finish code

CHROME	002
POLISHED BRASS (PVD)	099
SATIN (PVD)	295



HOT LINE FOR HELP
For toll-free information and answers to your questions, call:
1-800-442-1902
Weekdays 8:00 a.m. to 8:00 p.m. EST
IN CANADA 1-800-387-0369 (TORONTO 1-905-306-1093)
Weekdays 8:00 a.m. to 7:00 p.m. EST

Product names listed herein are trademarks of American Standard Inc.
© American Standard Inc. 2002

M968228C