

American Standard

**TOWN SQUARE™
ACCESSORIES**

SOAP/LOTION DISPENSER

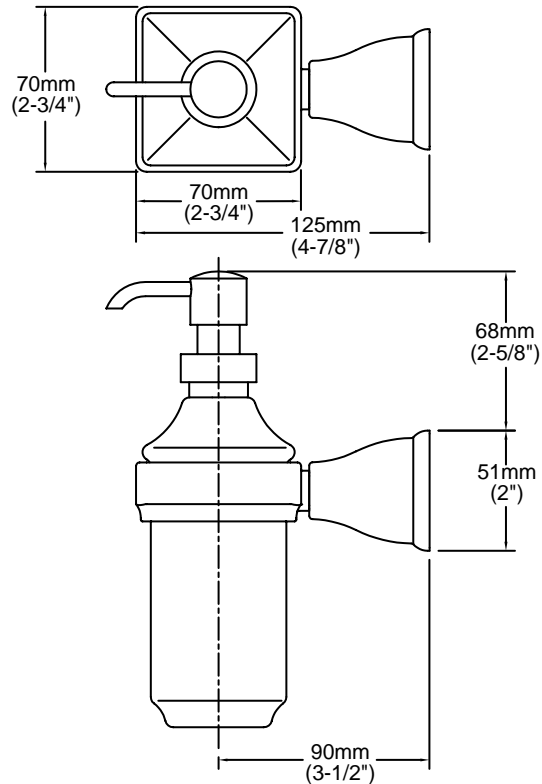
MODEL NUMBER:

■ **2555.051 SOAP/LOTION DISPENSER**



Available Finishes

.002	Polished Chrome
.099	PVD Polished Brass
.295	PVD Satin



PRODUCT FEATURES:

Heavy duty construction: Highest quality materials for durability & long life.

Concealed Mounting

Materials of Construction: Body and Escutcheon - brass. Soap/Lotion bottle - Frosted glass. Pump - zinc.

Easy to Install

Choice of Finishes: To match Chrome, PVD Brass and PVD Satin finishes. PVD finish on all Polished Brass and Satin components will never tarnish.

SUGGESTED SPECIFICATION:

Soap/Lotion Dispenser shall feature heavy - duty construction with tarnish free PVD finish on all Polished Brass and Satin components. Shall feature concealed mounting. Soap/Lotion bottle shall be frosted glass. Soap/Lotion Dispenser shall be American Standard Model # 2555.051.____.