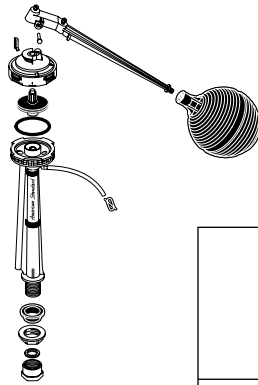
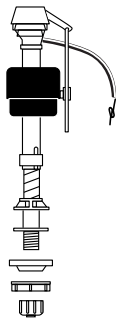


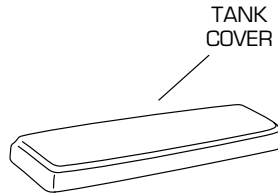
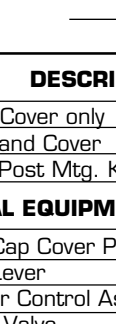
**ORIGINAL EQUIPMENT  
AQUAMETER  
WATER CONTROL**



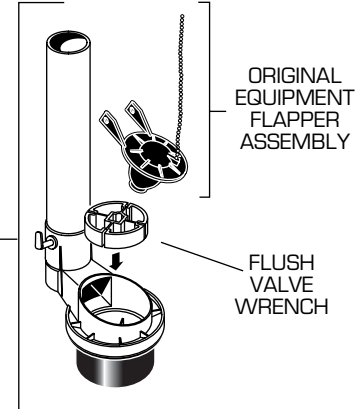
**ORIGINAL EQUIPMENT  
SMART VALVE  
WATER CONTROL**



**ORIGINAL EQUIPMENT  
FLUIDMASTER  
WATER CONTROL**

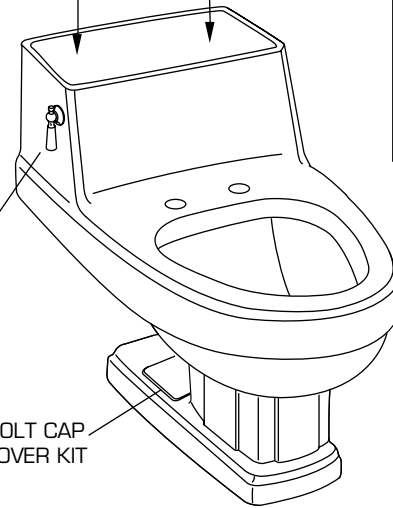


**ORIGINAL EQUIPMENT  
FLUSH VALVE**



ORIGINAL EQUIPMENT TRIP LEVER

BOLT CAP COVER KIT



★ Replace XXX with Fixture Color Code, YYY with Trim Finish

✓ **NOTE:** If the Original Equipment Water Control is the Aquameter, it can be replaced with a new Aquameter or Smart Valve **ONLY**. If the Original Equipment Water Control is the Fluidmaster, any of the valves listed can be used as a replacement.

DESCRIPTION	COMPONENT	✓ SMART VALVE	✓ FLUIDMASTER	✓ AQUAMETER
		PKG QTY		
★ Tank Cover only	735080-400.XXX	1	1	1
★ Seat and Cover	5357.016XXX	1	1	1
★ Seat Post Mtg. Kit	034789-XXX0A	1	1	1
ORIGINAL EQUIPMENT REPAIR PARTS	PART NUMBER	PKG QTY		
★ Bolt Cap Cover Plate Kit	047227-XXX0A	2	2	2
★ Trip Lever	730283-YYY0A	1	1	1
✓ Water Control Assy	3198.000	1		
Flush Valve	738109-0070A	1	1	1
Flapper Assembly	738151-0070A	1	1	1
Water Control Assy	738565-0070A		1	
Water Control Assy	738350-0070A			1
Flush Valve Wrench	738304-0070A	1	1	1

▷ FOR COMPONENT PART ORDERING SEE CURRENT PRODUCT SELECTOR AND PRICING GUIDE.