

American Standard

Installation Instructions

CERAMIX™

2021.800 SERIES 2021.831 SERIES

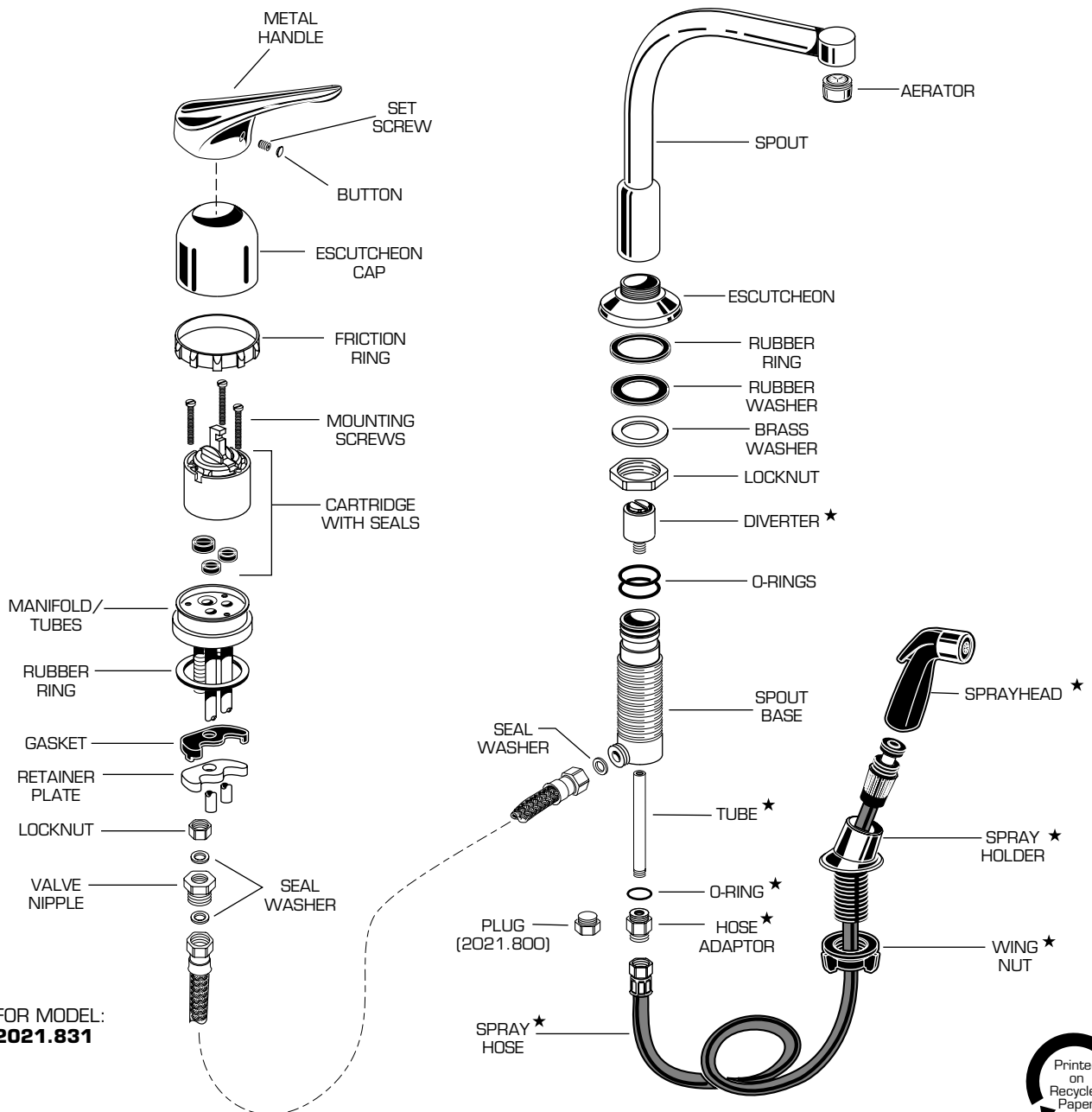
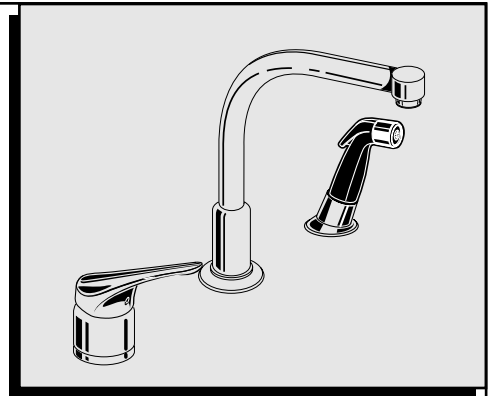
KITCHEN FAUCETS WITH HI-FLOW SPOUT

Thank you for selecting American-Standard...the benchmark of fine quality for over 100 years.

Certified to comply with ANSI A112.18.1M
U.S. PATENT NOS. 4,294,289 3,736,959
D291,234

To ensure that your installation proceeds smoothly—please read these instructions carefully before you begin.

M66241D



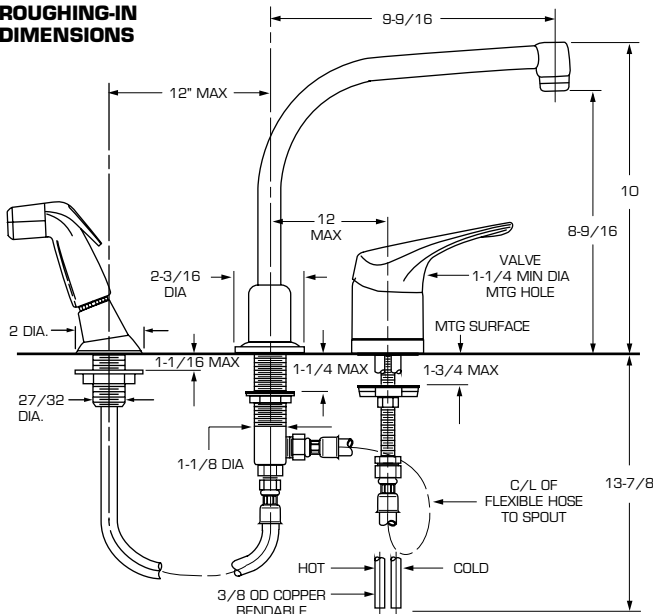
1**CAUTION**

Turn off hot and cold water supplies before beginning.

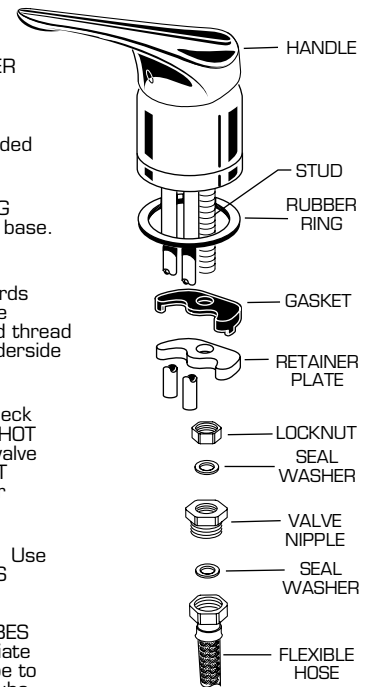
FAUCET INSTALLATION

This faucet permits an interchangeable mounting of each integral component – spout, valve, and hand spray – to suit the particular installation requirements.

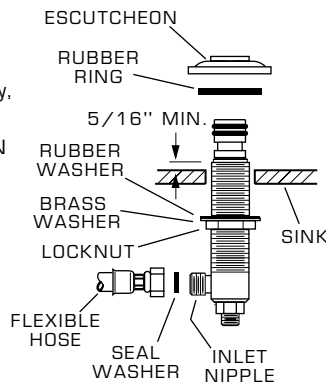
Before starting installation, place each component loosely into the holes of the kitchen sink to select the most desirable arrangement.

ROUGHING-IN DIMENSIONS**2****VALVE INSTALLATION**

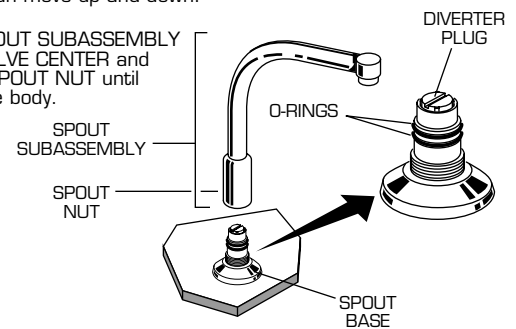
- Remove VALVE NIPPLE, SEAL WASHER, LOCKNUT, RETAINER PLATE and GASKET from threaded STUD of valve.
- Insert supply TUBES and threaded STUD through hole in sink.
- Make sure black RUBBER RING is properly seated in recess of base.
- Orient valve so that threaded STUD is centrally located towards the rear of sink, then assemble GASKET, RETAINER PLATE and thread LOCKNUT onto STUD from underside of sink.
- Hand tighten LOCKNUT and check that rotation of HANDLE from HOT to COLD is centered. Secure valve position by tightening LOCKNUT firmly (spread TUBES for better access to LOCKNUT).
- Bend TUBES to meet supplies. Use palm of hand to support TUBES while bending to avoid kinking.
- Connect 3/8-inch OD inlet TUBES to water supplies with appropriate connectors. Connect LEFT tube to HOT water supply and RIGHT tube to COLD.
- Attach VALVE NIPPLE with SEAL WASHER to threaded STUD.

**3****SPOUT BASE INSTALLATION**

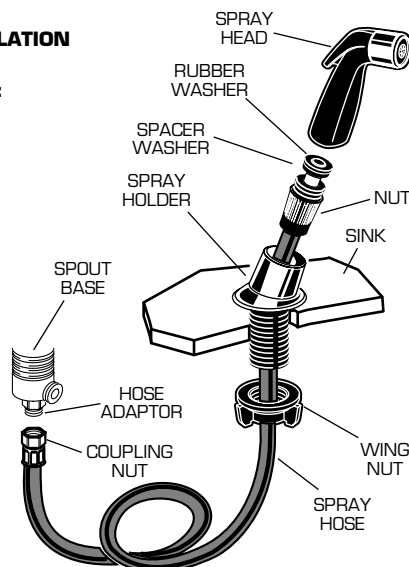
- Remove ESCUTCHEON with RUBBER RING and insert SPOUT BASE through hole from underside of Sink. Thread of SPOUT BASE should extend at least 5/16-inch above sink top. If necessary, adjust LOCKNUT.
- Place RUBBER RING into ESCUTCHEON recess and thread ESCUTCHEON onto SPOUT BASE until snug against internal stop.
- Turn SPOUT BASE so that the side INLET NIPPLE is directed towards valve. Center SPOUT BASE and tighten LOCKNUT.
- Place SEAL WASHERS into coupling nuts of FLEXIBLE HOSE and connect to side INLET NIPPLE and VALVE NIPPLE.

**4****SPOUT INSTALLATION**

- Check that both O-RINGS are properly seated on the valve center.
- FOR MODELS WITH HAND SPRAY: Check that the DIVERTER PLUG is free and can move up and down.
- Push the SPOUT SUBASSEMBLY on to the VALVE CENTER and tighten the SPOUT NUT until snug on valve body.

**5****HAND SPRAY INSTALLATION****FOR MODEL 2021.831 ONLY:**

- Place SPRAY HOLDER into separate hole of SINK and assemble WING NUT onto shank from underside of SINK and tighten.
- Feed SPRAY HOSE through SPRAY HOLDER and attach COUPLING NUT of HOSE to HOSE ADAPTOR on SPOUT BASE. Tighten COUPLING NUT firmly.
- Make certain that SPACER WASHER and RUBBER WASHER are attached to SPRAY HOSE and thread SPRAY HOSE to NUT.

**6****TEST INSTALLED FAUCET**

- Move handle down into "off" position, remove AERATOR.
- With HANDLE in "off" position, turn on water supplies and check all connections for leaks.
- Operate handle up and down, in COLD and HOT positions, to flush water lines thoroughly and check spout mounting for leaks.
- Direct SPRAY HEAD into sink. Open faucet and activate spray. Check SPRAY HOSE connections for leaks.
- Move handle down into "off" position and replace AERATOR.



HOTLINE FOR HELP
For toll-free information and answers to your questions, call:
1 (800) 223-0068
Weekdays 8:00 a.m. to 7:00 p.m. Eastern Time
IN CANADA 1-800-387-0369 (TORONTO 1-416-536-5609)

Product names listed herein are trademarks of American Standard Inc.
©American Standard Inc. 1999

M66241D