

American Standard

CERAMIX™

CENTERSET LAVATORY FAUCET

Thank you for selecting American-Standard...the benchmark of fine quality for over 100 years.

To ensure that your installation proceeds smoothly—please read these instructions carefully before you begin.

Installation Instructions 2000.110



Certified to comply with ASME A112.18.1M
Certifié ASME A112.18.1M

M968206

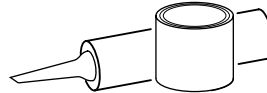
TOOLS REQUIRED



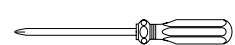
Channel Locks



Adjustable Wrench



Plumbers' Putty or Caulking



Phillips Screwdriver

CARE INSTRUCTIONS:

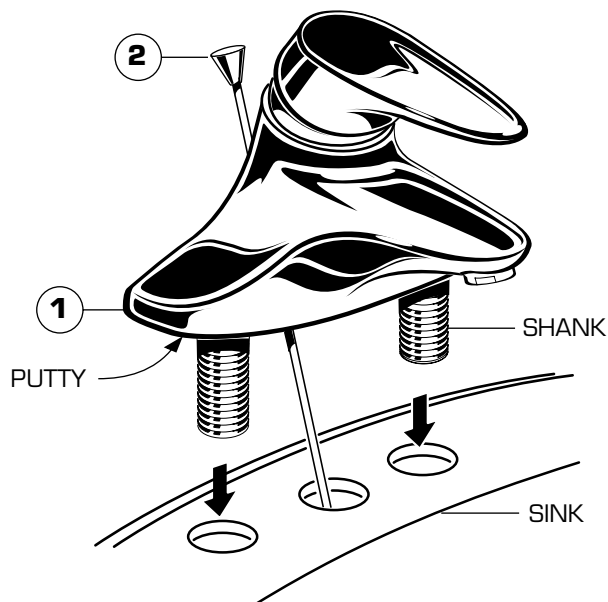
DO: SIMPLY RINSE THE PRODUCT CLEAN WITH CLEAR WATER. DRY WITH A SOFT COTTON FLANNEL CLOTH.
DO NOT: CLEAN THE PRODUCT WITH SOAPS, ACID, POLISH, ABRASIVES, HARSH CLEANERS, OR A CLOTH WITH A COARSE SURFACE.

1 INSTALL FAUCET

CAUTION

Turn off hot and cold water supplies before beginning.

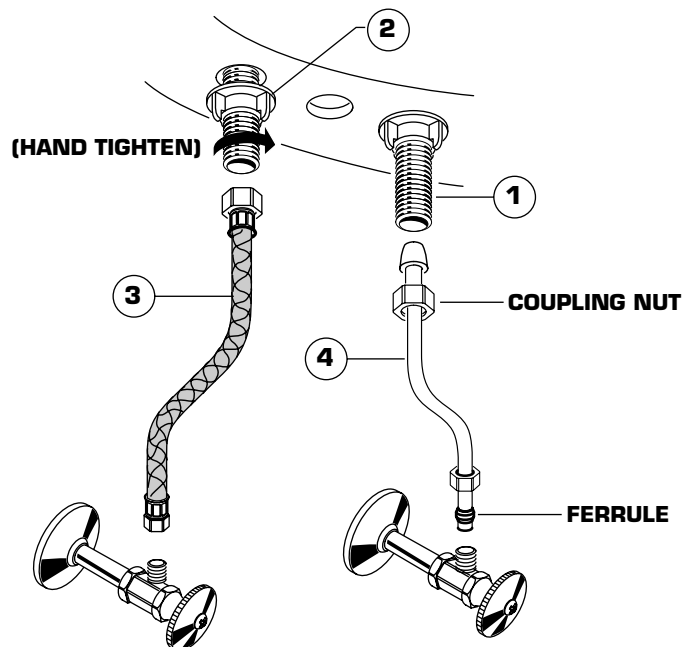
- Apply a bead of PUTTY along the edge of the underside of the BODY (1). Insert LIFT ROD (2) through hole in BODY (1).
- Insert faucet SHANKS through holes of SINK. Place faucet as far forward as possible.



2 SECURE FAUCET AND MAKE WATER SUPPLY CONNECTIONS

NOTE: FLEXIBLE SUPPLIES OR BULL-NOSE RISERS MUST BE PURCHASED SEPARATELY.

- Secure FAUCET (1) with ATTACHMENT NUTS (2) supplied. (HAND TIGHTEN).
- Connect water supply to FAUCET (1) with 1/2" IPS FLEXIBLE SUPPLIES (3) or 3/8" O.D. BULL-NOSE RISERS (4). Use adjustable wrench to tighten connections. Do not over tighten. Be careful not to kink copper supply when bending. Use tubing cutter to cut to proper length.



3 INSTALL POP-UP DRAIN

- Push Tail piece (11) down into Trap (C) (threaded end up).
- Thread Locknut (5), Washer (4) and Gasket (3) (Bevel side up) onto Drain Body (10).
- Apply a bead of Putty (D) to underside of Flange (2).
- Feed Drain Body (10) up through Sink (A) and thread the Flange (2) fully onto Drain Body (10).
- Tighten Locknut (5) firmly, keeping the pivot rod hole pointed towards the back of the sink.
- Assemble Pivot Rod (9) as shown in Figure-4B. Notice the position of the Concave Washer (G).
- Insert Pivot Rod (9) into Drain Body (10) and tighten Pivot Nut (F).
- Push TAILPIECE INSERT (12) into TAILPIECE (11) and push TAILPIECE up and thread tightly into DRAIN BODY (10).
- Position Extension Rod (7) onto Pop-Up Rod (E) and tighten Thumbscrew (6).
- Remove one end of Clip (8) from Pivot Rod (9) by squeezing ends together while sliding.
- Insert Pivot Rod (9) into second or third hole in Extension Rod (7) and reassemble Clip (8).
- Drop Stopper (1) into Drain Body (10).
- Adjust stopper height by repositioning Extension Rod (7) and tightening Thumbscrew (6).

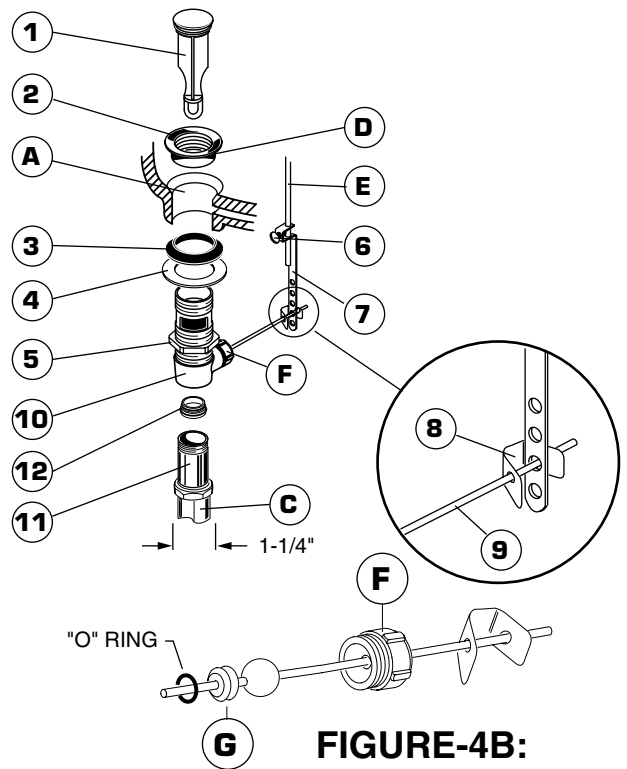
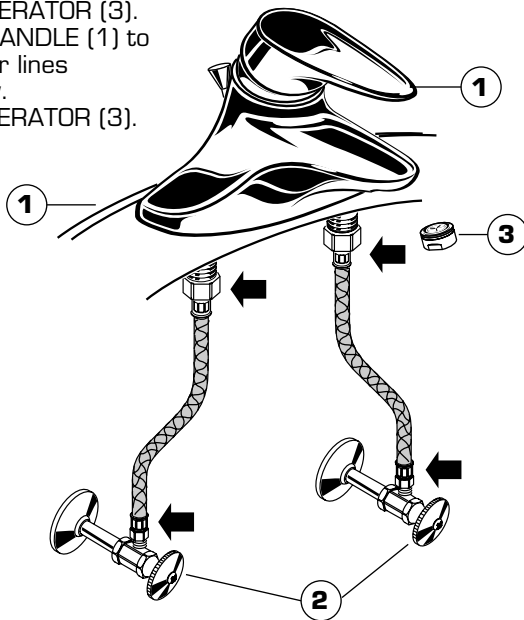


FIGURE-4B:

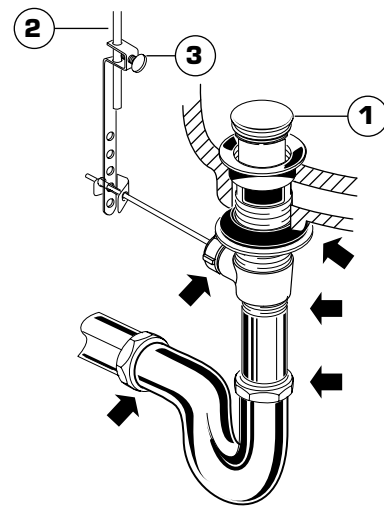
4 TEST INSTALLED FITTING

- With HANDLE (1) in OFF position, turn on WATER SUPPLIES (2) and check all connections for leaks.
- Remove AERATOR (3).
- Operate HANDLE (1) to flush water lines thoroughly.
- Replace AERATOR (3).



5 CHECK DRAIN CONNECTIONS

- Operate Pop-Up and fill lavatory with water. Check that DRAIN STOPPER (1) makes a good seal and retains water in lavatory. Adjust stopper height by repositioning Pop-Up Rod (2) and tightening Thumbscrew (3).
- Release DRAIN STOPPER (1) and check all drain connections and "P" trap for leaks. Tighten if necessary.

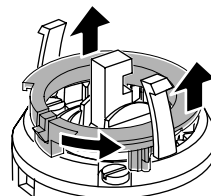


6 ADJUST HOT LIMIT STOP

By restricting handle rotation and limiting the amount of hot water allowed to mix with the cold, the HOT LIMIT SAFETY STOP reduces risk of accidental scalding. To set the maximum hot water temperature of your faucet, all you need to do is adjust the setting on the HOT LIMIT SAFETY STOP.

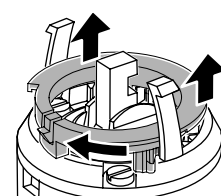
- Remove HANDLE, CAP and HOT LIMIT STOP. Follow "A" or "B" to adjust maximum discharge temperature.

"A"
PRY UPWARD TO UNLOCK AND ROTATE COUNTER-CLOCKWISE ONE CLICK



ADJUSTMENT WHEN WATER IS TOO HOT

"B"
PRY UPWARD TO UNLOCK AND ROTATE CLOCKWISE



ADJUSTMENT WHEN WATER IS TOO COLD

M961741-YYY0A
HANDLE KIT

030126-0070A
BUTTON AND SCREW KIT

A907086-YYY0A
CAP

023593-0070A
HOT LIMIT STOP

023603-0070A
CARTRIDGE SCREWS

023529-0070A
CARTRIDGE

030516-YYY0A
LIFT ROD

066117-YYY0A
FLANGE KIT

066116-YYY0A
DRAIN STOPPER

FLANGE

GASKET

WASHER

LOCKNUT

066070-YYY0A
AERATOR

953450-YYY0A
COMPLETE
DRAIN ASSEMBLY

070847-0070A
CLIP

065800-0070A
ATTACHMENT NUT

024220-0070A
SUPPLY NUT

900864-0070A
DRAIN BODY

M961711-0070A
TAILPIECE INSERT

070532-0040A
TAILPIECE

066118-0070A
PIVOT ROD

072574-0070A
EXTENSION ROD

Replace the "YYY" with appropriate finish code

CHROME	002
WHITE	020
BONE	021
WHITE/CHROME	025
BLACK NICKEL	062
POLISHED BRASS	099
SATIN	295
SATIN/POL. BRASS	297
CHROME/POL. BRASS	299



HOT LINE FOR HELP

For toll-free information and answers to your questions, call:

1 (800) 223-0068

Weekdays 8:00 a.m. to 8:00 p.m. EST

IN CANADA 1-800-387-0369 (TORONTO 1-905-306-1093)

Weekdays 8:00 a.m. to 7:00 p.m. EST

Product names listed herein are trademarks of American Standard Inc.
© American Standard Inc. 2002

M968206