

American Standard

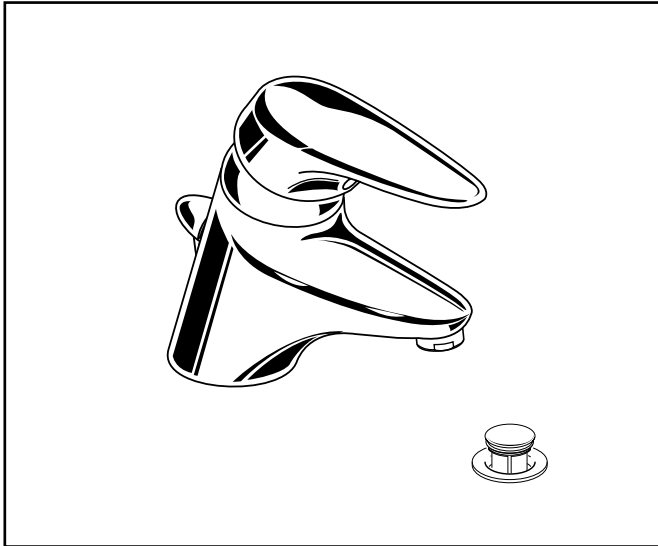
CERAMIX

SINGLE CONTROL LAVATORY FAUCET

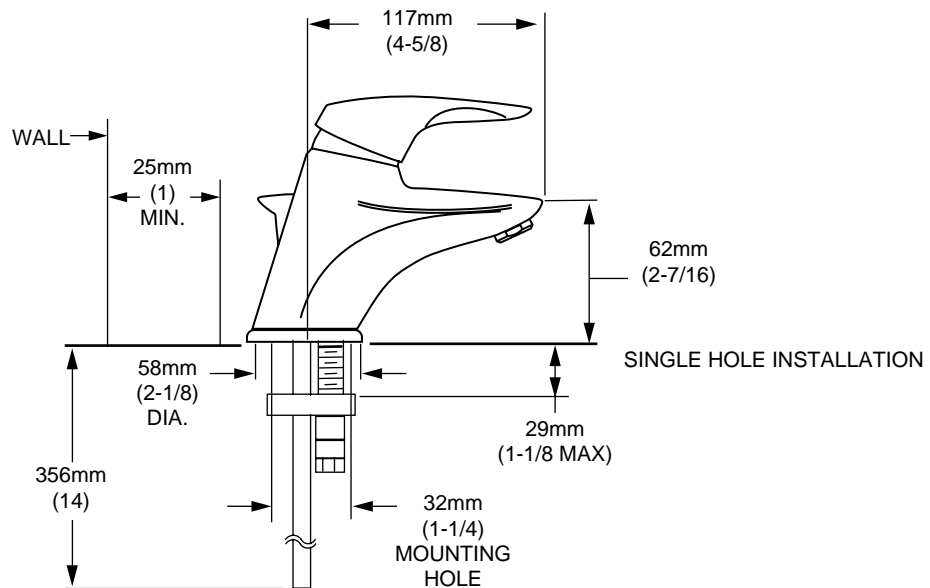
MODEL NUMBER:

- 2000.101 Lavatory Faucet**
Pop-up drain. 3/8" copper inlets. Escutcheon plate.
- 2000.100 Lavatory Faucet**
Less drain. 3/8" copper inlets. Escutcheon plate.
- 2000.101X Lavatory Faucet**
Pop-up drain. 3/8" copper inlets. Less escutcheon plate.

- AVAILABLE ACCESSORY:**
2000.102P Escutcheon Plate Only



2000.101X Shown.



GENERAL DESCRIPTION:

Cast brass body and brass escutcheon (on applicable models) with all metal handle. Washerless 47mm ceramic disc valve cartridge. Equipped with a hot limit safety stop. 14" long, 3/8" O.D. copper supplies. 2.2 gpm/8.3L/min. maximum flow rate.

PRODUCT FEATURES:

- Cast Brass body and Copper Waterway:** Highest quality faucet materials for durability & long life.
- Ceramic Disc Valve Cartridge:** Assures a lifetime of drip-free performance.
- Adjustable Hot Limit Safety Stop:** Limits the amount of hot water allowed to mix with cold. Reduces the risk of accidental scalding.
- Wide Comfort Zone:** Gives more sensitive temperature control.
- Low Lead:** Meets NSF Standard 61/Section 9 & Prop 65 lead requirements.
- Choice of Finishes:** Available in a wide range of durable finishes.

SUGGESTED SPECIFICATION:

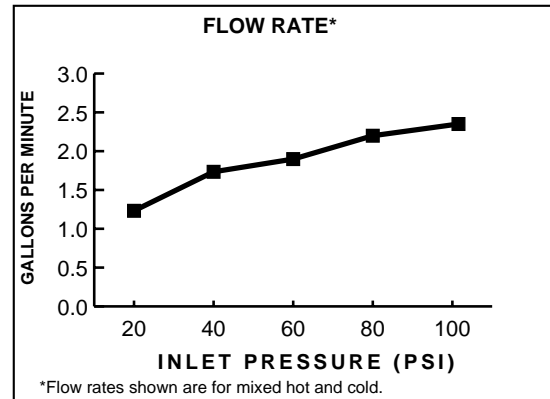
Single control lavatory fitting shall feature a cast brass body with all metal handle. Shall also feature washerless ceramic disc valve cartridge. Fitting shall be equipped with a hot limit safety stop. Fitting shall be American Standard Model # 2000.____.____.

SINGLE CONTROL LAVATORY FAUCET

CODES AND STANDARDS

These products meet or exceed the following codes and standards:

- ANSI A117.1**
- ASME A112.18.1M**
- CSA B 125**
- NSF 61/Section 9**



Product Number	Description	Finish Options					
		Polished Chrome	PVD Br Nickel /Brass Mix	PVD Polished Brass	PVD Satin	PVD Satin/ Brass Mix	P Chrome /PVD Brass Mix
		002	062	099	295	297	299
2000.101	Lavatory faucet. Pop-up drain. Escutcheon plate. 3/8" copper supplies.						
2000.100	Lavatory faucet. Less drain. Escutcheon plate. 3/8" copper supplies.		N/A	N/A	N/A	N/A	N/A
2000.101X	Lavatory faucet. Pop-up drain. Less escutcheon. 3/8" copper supplies.						
2000.102P	Escutcheon plate only.					N/A	N/A

N/A = NOT AVAILABLE



Meets the American Disabilities Act Guidelines and **ANSI A117.1** Requirements for the physically challenged.