

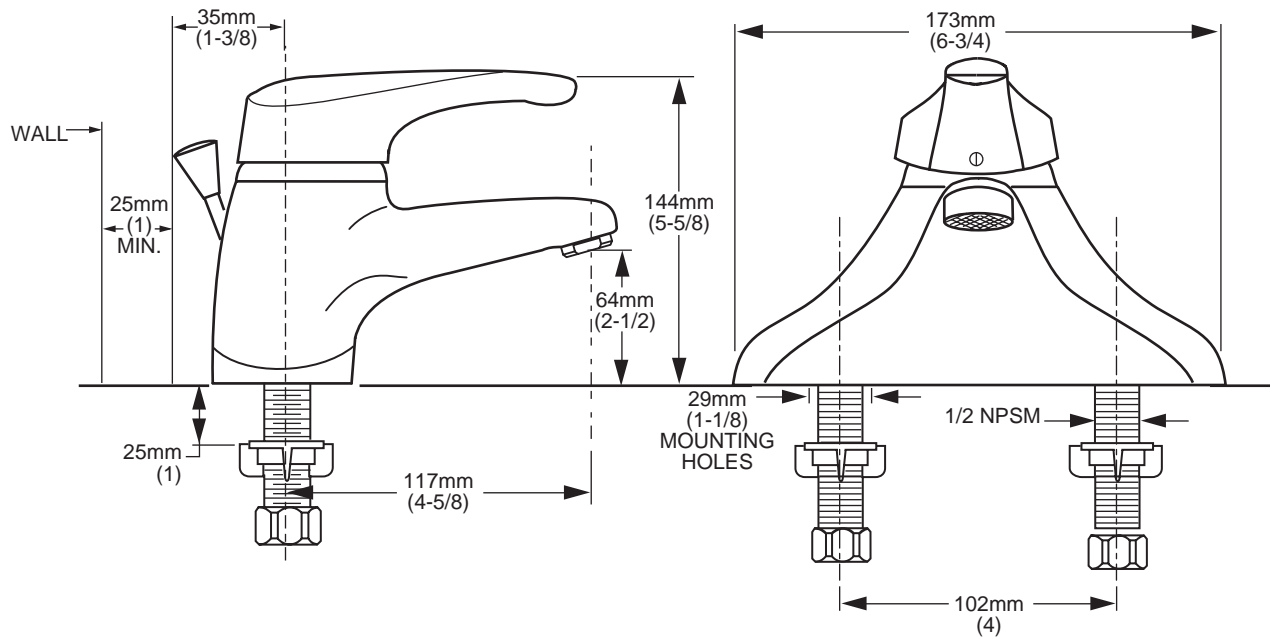
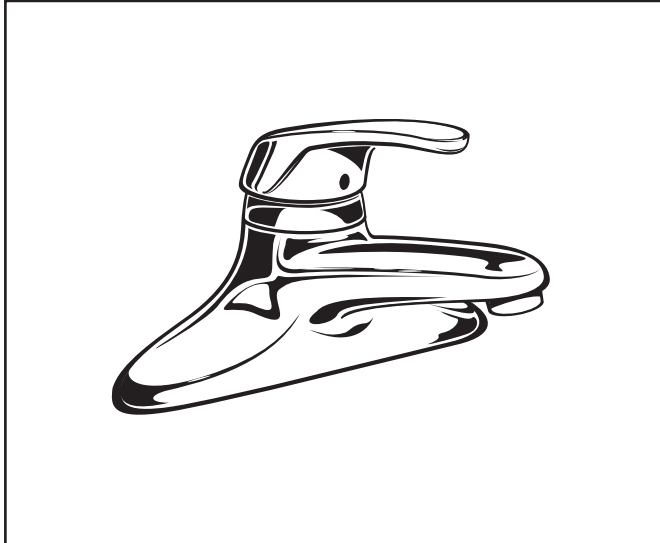
# American Standard

# Seva

## SINGLE CONTROL LAVATORY FAUCET

### MODEL NUMBER:

- 1480.110 Centerset Lavatory Faucet**  
Pop-up drain.
- 1480.115 Centerset Lavatory Faucet**  
LESS Pop-up drain. LESS hole



### GENERAL DESCRIPTION:

Cast brass centerset body with metal handle. Washerless 47mm ceramic disc valve cartridge. 1/2" male threaded inlet shanks with brass coupling nuts. 2.2 gpm/8.3L/min. maximum flow rate. Fitting mounts on 4" centers. Hot limit safety stop.

### PRODUCT FEATURES:

**Brass Waterway:** Highest quality faucet materials for durability & long life.

**Ceramic Disc Valve Cartridge:** Assures a lifetime of drip-free performance.

**Adjustable Hot Limit Safety Stop:** Limits the amount of hot water allowed to mix with cold. Reduces the risk of accidental scalding.

**Wide Comfort Zone:** Gives more sensitive temperature control.

**Low Lead:** Meets NSF Standard 61/Section 9 & Prop 65 lead requirements.

**Choice of Finishes:** Choice of Polished Chrome or Chrome with Brass mixage.

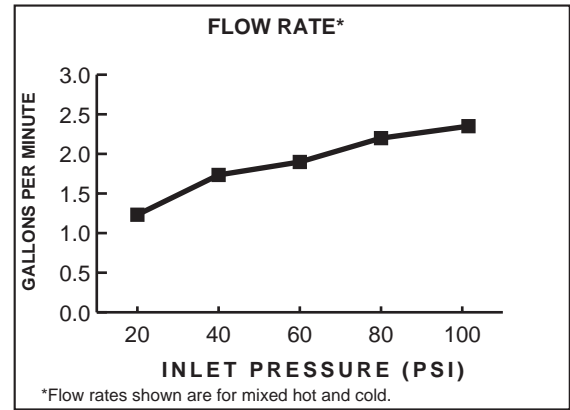
### SUGGESTED SPECIFICATION:

Single control centerset lavatory fitting shall feature a cast brass centerset body with all metal handle. Shall feature 1/2" male threaded inlet shanks with brass coupling nuts. Shall also feature washerless ceramic disc valve cartridge. Fitting shall be American Standard Model # 1480.110.\_\_\_\_\_.

### CODES AND STANDARDS


These products meet or exceed the following codes and standards:

- ANSI A117.1**
- ASME A112.18.1M**
- CSA B 125**
- NSF 61/Section 9**



Product Number	Description	Finish Options		
		Polished Chrome	PVD Satin	PChrome /PVD Brass Mix
		002	295	299
1480.110	Lavatory faucet. Pop-up drain.			
1480.115	Lavatory faucet. LESS Pop-up drain. LESS hole.		<b>N/A</b>	<b>N/A</b>

**N/A = NOT AVAILABLE**

 Meets the American Disabilities Act Guidelines and **ANSI A117.1** Requirements for the physically challenged.