

TOWN SQUARE COUNTERTOP SINK

- Historic American classic design
- Clean, straight lines with classic ogee curves
- Tapered interior bowl with flat bottom design provides dramatic look
- Self-rimming vitreous china countertop sink
- Front overflow
- Supplied with cutout template

- 0700.004** Faucet holes on 4" (203mm) centers (illustrated)
- 0700.008** Faucet holes on 8" (102mm) centers
- 0700.001** Center hole only



Nominal Dimensions:

23-1/8" x 18-3/4" (587 x 476mm)

Bowl sizes:

18-1/2" (470mm) wide,
10-1/2" (267mm) front to back,
6-1/4" (159mm) deep

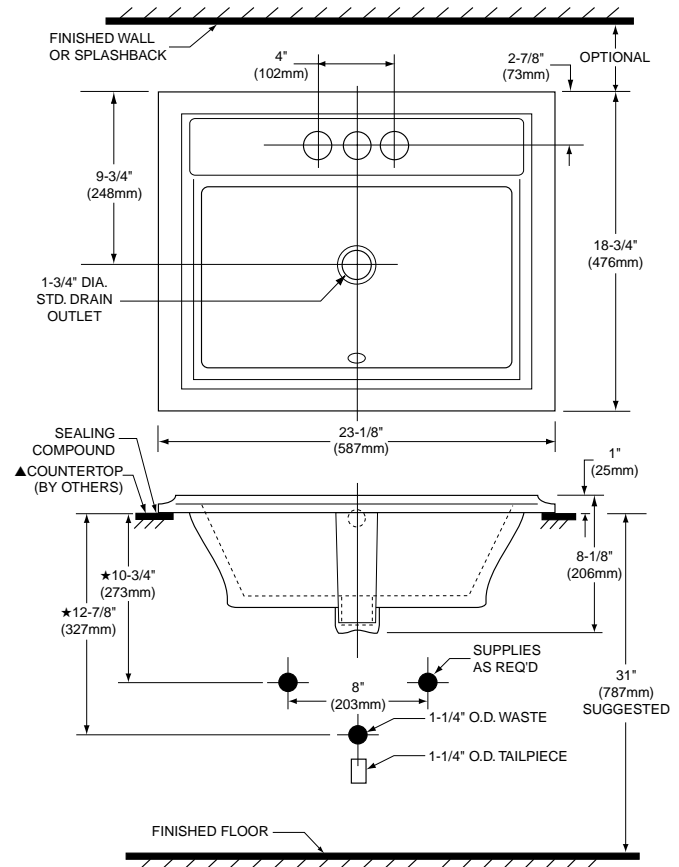
Compliance Certifications -

Meets or Exceeds the Following Specifications:

- ASME A112.19.2M for Vitreous China Fixtures
- CAN/CSA B45 series

To Be Specified

- Color:
- Town Square Faucet:
 - Centerset Sink Faucet: 2555.201 (shown)
 - Widespread Sink Faucet: 2555.801
- Other Sink Faucet*:
- Faucet Finish:
- Supplies:
- 1-1/4" Trap:



NOTES:

* DIMENSIONS SHOWN FOR LOCATION OF SUPPLIES AND "P" TRAP ARE SUGGESTED. FOR COUNTERTOP CUTOUT AND INSTALLATION INSTRUCTIONS USE TEMPLATE SUPPLIED WITH SINK.

FITTINGS NOT INCLUDED AND MUST BE ORDERED SEPARATELY.

IMPORTANT: Dimensions of fixtures are nominal and may vary within the range of tolerances established by ANSI Standard A112.19.2.

These measurements are subject to change or cancellation. No responsibility is assumed for use of superseded or voided pages.

* See faucet section for additional models available