

American Standard



ACCESSORIES

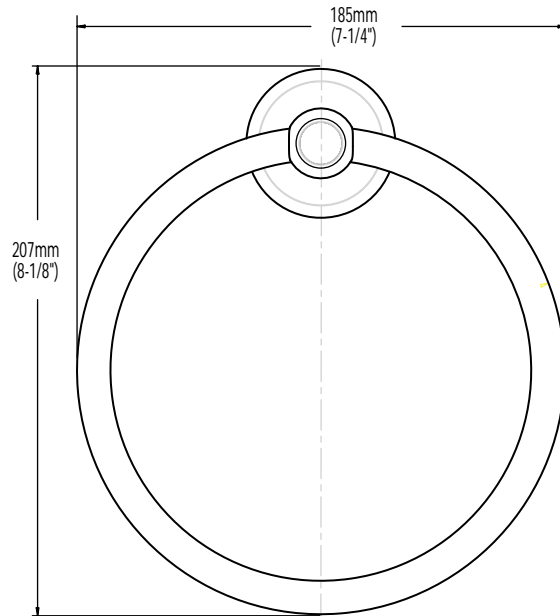
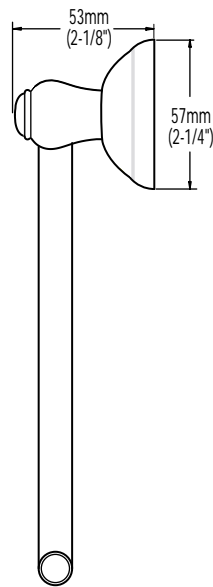
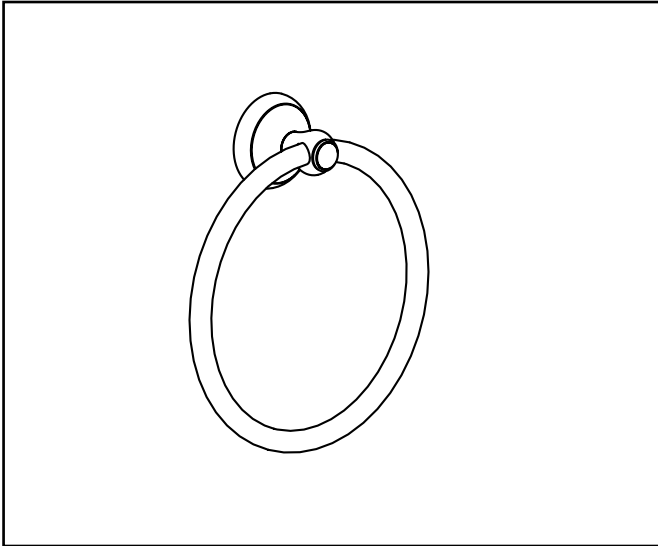
TOWEL RING

MODEL NUMBER:

6729 Towel Ring

Available Finishes

	Polished Chrome (no finish suffix needed)
S	Satin



PRODUCT FEATURES:

Heavy duty construction: Highest quality materials for durability & long life.

Concealed Mounting: No exposed set screws.

Materials of Construction: Towel ring tube - 12.7mm thick brass. Body - zinc. Escutcheon - brass. Index button - porcelain. Bushing on towel ring to prevent scratching and squeaking.

Easy to Install

Choice of Finishes: To match Chrome and Satin finishes.

SUGGESTED SPECIFICATION:

Towel Ring shall feature heavy - duty construction. Shall feature concealed mounting with no exposed set screws. Towel Ring tube shall be 12.7mm thick brass tube. Towel Ring shall be American Standard Model # 6729_.