

American Standard

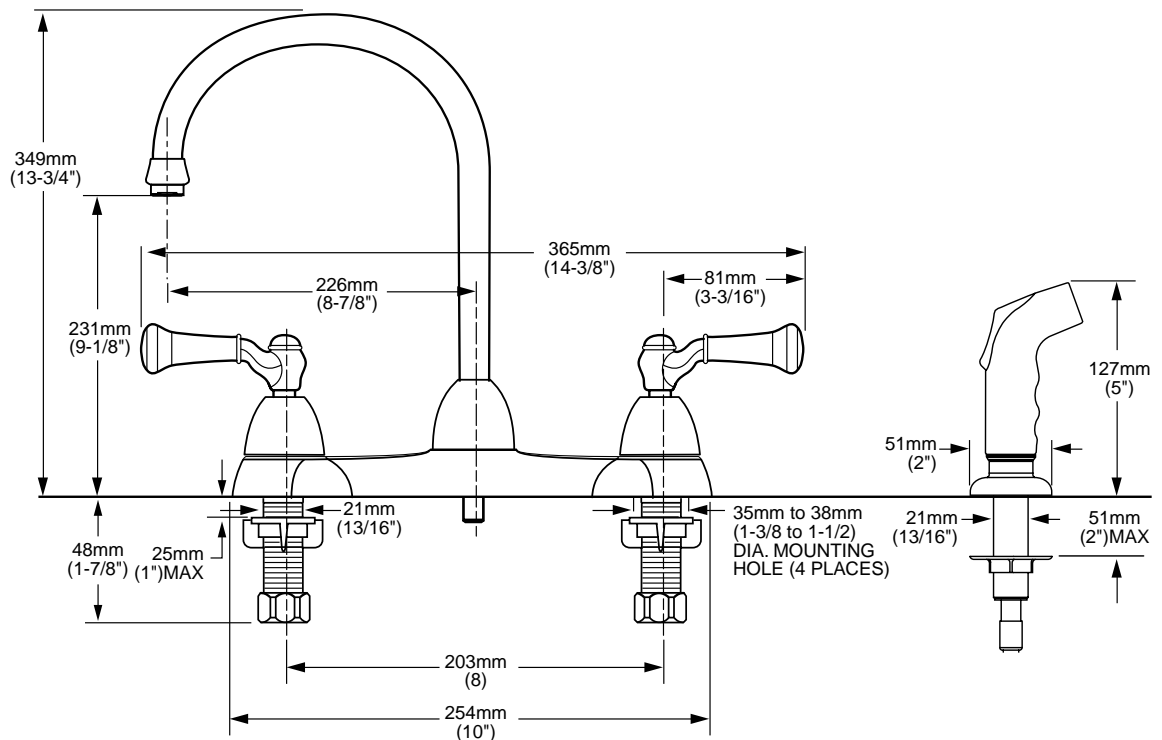


TWO-HANDLE TOP-MOUNT KITCHEN FAUCET WITH BRASS GOOSENECK SPOUT



MODEL NUMBER:

- 4271 Top-Mount Kitchen Faucet**
Handspray. Porcelain lever handles. Chrome Finish.
- 4271S Top-Mount Kitchen Faucet**
Handspray. Porcelain lever handles. Satin (PVD) Finish.



GENERAL DESCRIPTION:

Durable brass construction. 1/4 turn washerless ceramic disc valve cartridges - reversible for use on "hot" or "cold" side. Brass 22mm (7/8") diameter swing spout. Metal escutcheon plate (escutcheon size 10"L x 2-3/8"W). One-half inch male inlet shanks with brass coupling nuts. 2.2 gpm/8.3 L/min. maximum flow rate. Color matched hand spray. Cap provided for less spray application.

PRODUCT FEATURES:

Brass Construction and Cast Brass Waterway: Durable - Excellent in high use applications. Ideal for prolonged contact with water.

Ceramic Disc Valve Cartridges: Assures a lifetime of drip-free performance.

Larger Spout: Increased spout height, reach and diameter.

Low Lead: Meets NSF Standard 61/Section 9 & Prop 65 lead requirements.

Choice of Finishes: Available in Polished Chrome or Satin (PVD).

SUGGESTED SPECIFICATION:

Two handle top-mount kitchen faucet shall feature cast brass construction with all brass inlet shanks and coupling nuts. Brass swing spout. Shall also feature 1/4 turn washerless ceramic disc valve cartridges that are reversible for use on "hot" or "cold" side. Fitting shall be American Standard Model # 4271_.

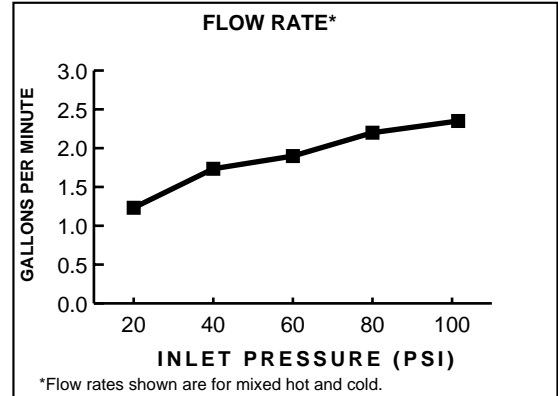


**TWO-HANDLE TOP-MOUNT
KITCHEN FAUCET
WITH BRASS GOOSENECK SPOUT**


CODES AND STANDARDS

These products meet or exceed the following codes and standards:

- ASME A112.18.1**
- CSA B 125**
- NSF 61/Section 9**



Product Number	Description
4271	Top-Mount Kitchen Faucet. Porcelain lever handles.Chrome finish.
4271S	Top-Mount Kitchen Faucet. Porcelain lever handles. Satin (PVD) finish.

 Meets the American Disabilities Act Guidelines and **ANSI A117.1** Requirements for the physically challenged.