

# American Standard

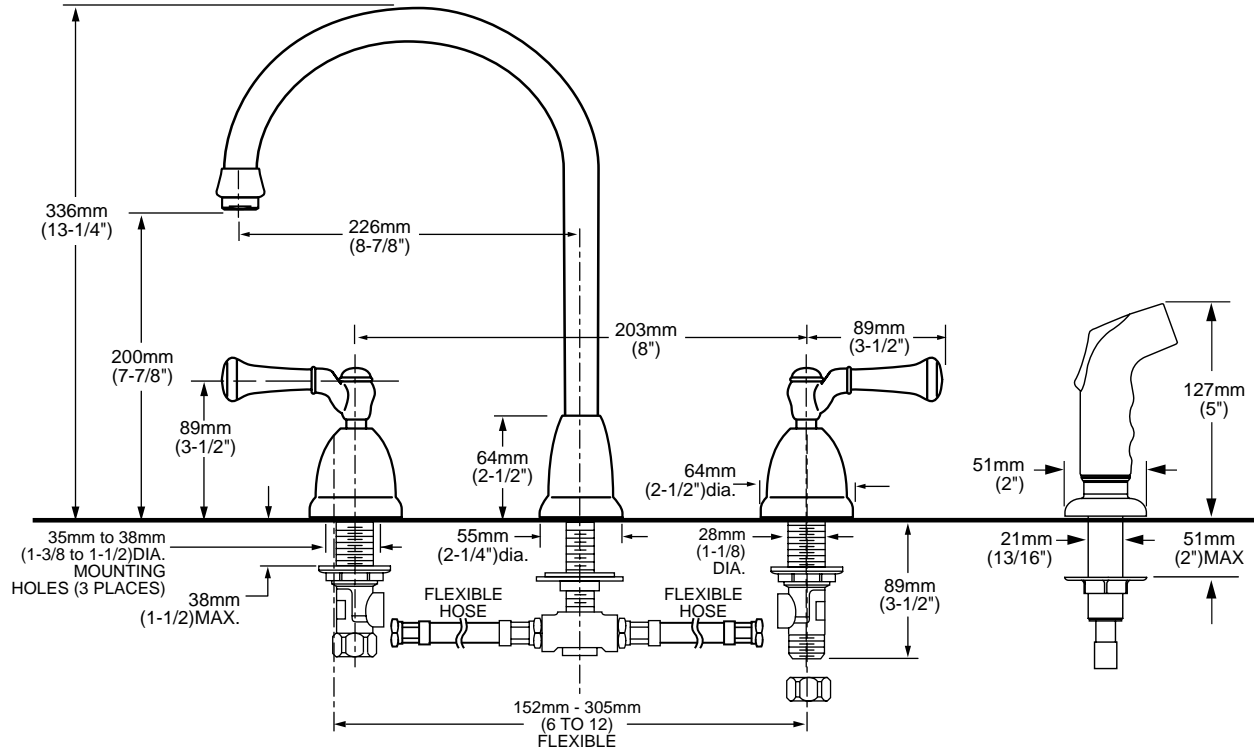


## TWO-HANDLE BOTTOM-MOUNT KITCHEN FAUCET WITH BRASS GOOSENECK SPOUT



### MODEL NUMBER:

- 4251 Bottom-Mount Kitchen Faucet**  
Handspray. Porcelain lever handles. Chrome Finish.
- 4251S Bottom-Mount Kitchen Faucet**  
Handspray. Porcelain lever handles. Satin (PVD) Finish.



### GENERAL DESCRIPTION:

Durable brass construction. 1/4 turn washerless ceramic disc valve cartridges - reversible for use on "hot" or "cold" side. Brass 22mm (7/8") diameter swing spout. One-half inch male inlet shanks with brass coupling nuts. 2.2 gpm/8.3 L/min. maximum flow rate. Color matched hand spray. Cap provided for less spray applications.

### PRODUCT FEATURES:

**Brass Construction and Cast Brass Waterway:** Durable - Excellent in high use applications. Ideal for prolonged contact with water.

**Ceramic Disc Valve Cartridges:** Assures a lifetime of drip-free performance.

**Larger Spout:** Increased spout height, reach and diameter.

**Low Lead:** Meets NSF Standard 61/Section 9 & Prop 65 lead requirements.

**Choice of Finishes:** Available in Polished Chrome or Satin (PVD).

### SUGGESTED SPECIFICATION:

Two handle bottom-mount kitchen faucet shall feature brass construction with all brass inlet shanks and coupling nuts. Brass swing spout. Shall also feature 1/4 turn washerless ceramic disc valve cartridges that are reversible for use on "hot" or "cold" side. Fitting shall be American Standard Model # 4251\_.

# American Standard

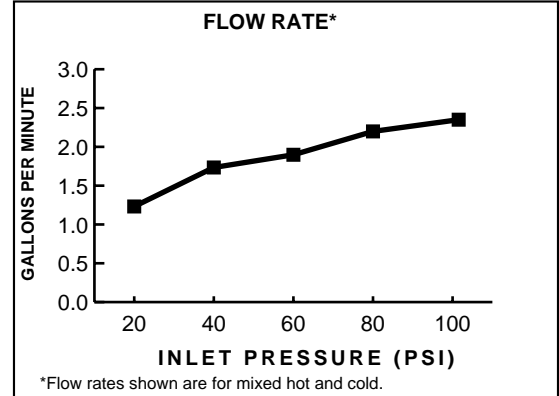


## TWO-HANDLE BOTTOM-MOUNT KITCHEN FAUCET WITH BRASS GOOSENECK SPOUT


### CODES AND STANDARDS

These products meet or exceed the following codes and standards:

- ASME A112.18.1
- CSA B 125
- NSF 61/Section 9



Product Number	Description
4251	Bottom-Mount Kitchen Faucet. Porcelain lever handles. Chrome finish.
4251S	Bottom-Mount Kitchen Faucet. Porcelain lever handles. Satin (PVD) finish.

 Meets the American Disabilities Act Guidelines and **ANSI A117.1** Requirements for the physically challenged.