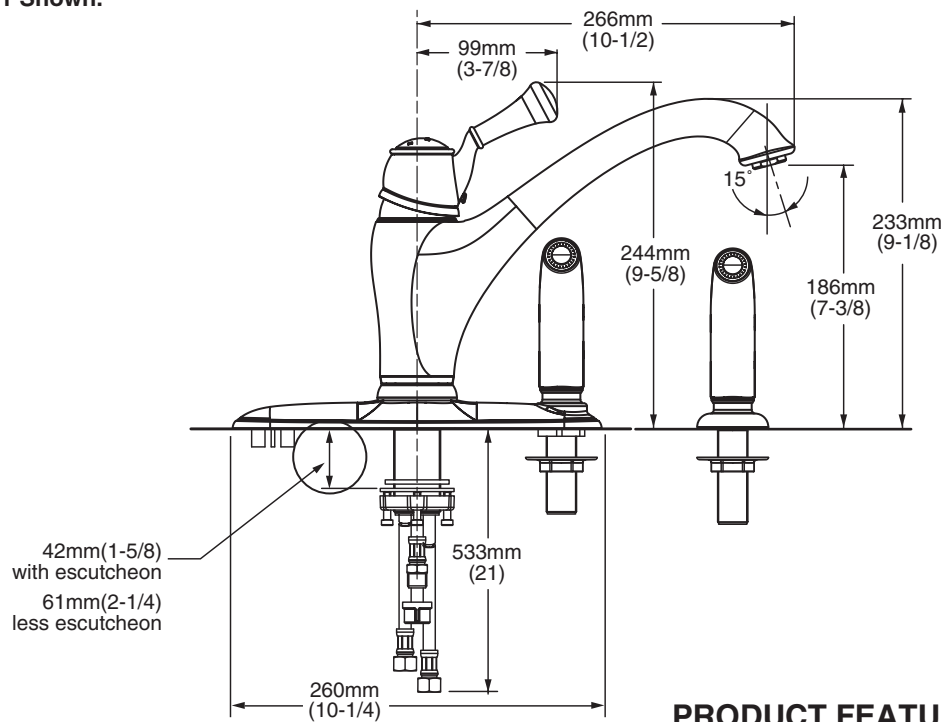




4241 Shown.

MODEL NUMBER:

- 4241 Kitchen Faucet**
 Color matched handspray. Escutcheon plate (use is optional). Chrome finish.
- 4241S Kitchen Faucet**
 Color matched handspray. Escutcheon plate (use is optional). Satin Nickel finish.
- 4243 Kitchen Faucet**
 Color matched handspray through escutcheon plate. Chrome finish.
- 4243S Kitchen Faucet**
 Color matched handspray through escutcheon plate. Satin Nickel finish.



GENERAL DESCRIPTION:

Cast brass body and swivel spout. Metal escutcheon plate. Genuine porcelain lever handle. Washerless 40mm ceramic disc valve cartridge. Braided flexible supply hoses with 3/8" compression connections. 2.2 gpm/8.3L/min. maximum flow rate. Brass mounting shank with brass fixation ring. Model #4241 can be mounted with or without supplied escutcheon plate (escutcheon size 10-1/4"L x 2-1/2"W). Color-matched hand spray. Cap provided for less spray applications

PRODUCT FEATURES:

- Ceramic Disc Valve Cartridge:** Assures smooth, precise valve control and a lifetime of drip-free, maintenance-free performance.
- Cast Brass Spout:** Highest quality material for durability and long life.
- Memory Position Valving:** Allows user to turn valve on and off at preferred temperature setting without readjusting handle position each time.
- Low Lead:** Meets NSF Standard 61/Section 9 & Prop 65 lead requirements.
- Choice of Finishes:** Choice of Polished Chrome or Satin Nickel

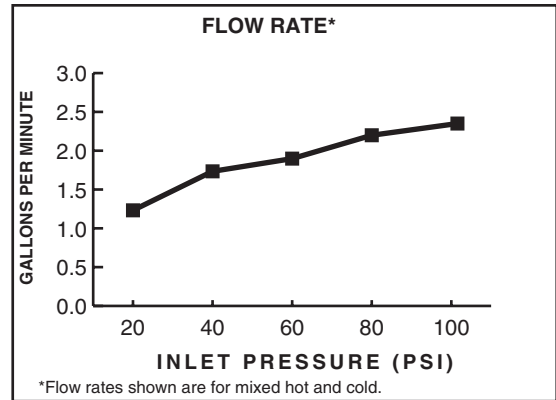
SUGGESTED SPECIFICATION:

Single control kitchen faucet shall feature a cast brass body and cast brass swivel spout. Metal escutcheon plate, and genuine porcelain lever handle. Shall also feature washerless ceramic disc valve cartridge, and flexible hose supplies. Fitting shall be American Standard Model # 424____ .


CODES AND STANDARDS

These products meet or exceed the following codes and standards:

- ANSI A117.1**
- ASME A112.18.1**
- CSA B 125**
- NSF 61/Section 9**



Product Number	Description
4241	Kitchen faucet. Handspray. Chrome finish.
4241S	Kitchen faucet. Handspray. Satin Nickel finish.
4243	Kitchen faucet. Handspray through escutcheon. Chrome finish.
4243S	Kitchen faucet. Handspray through escutcheon. Satin Nickel finish.

 Meets the American Disabilities Act Guidelines and **ANSI A117.1** Requirements for the physically challenged.