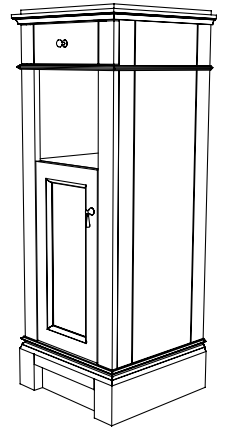
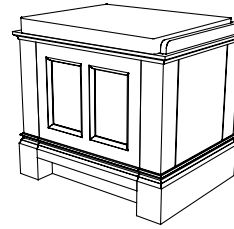
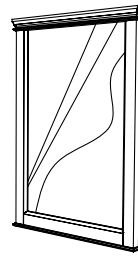


## ASSEMBLY & INSTALLATION INSTRUCTIONS

- GENERATIONS MIRROR 9210.101.329
- GENERATIONS STORAGE STOOL 9210.300.329
- GENERATIONS DEMI-APOTHECARY 9210.200.329



Thank you for selecting our products...products which have been the benchmarks of fine quality for over 100 years. To help insure that the installation process will proceed smoothly, please read these instructions carefully before you begin. Also, review the recommended tools and materials list; carefully unpack and examine your new plumbing fixture.

To maintain the beauty of the finish, avoid placing the furniture in direct sunlight, as sunlight causes fading. Also avoid extreme changes in temperature by arranging furniture away from radiators, heat and air vents, and air conditioning units. Avoid placing furniture directly under windows.

### GENERATIONS MIRROR 9210.101.329 INSTALLATION

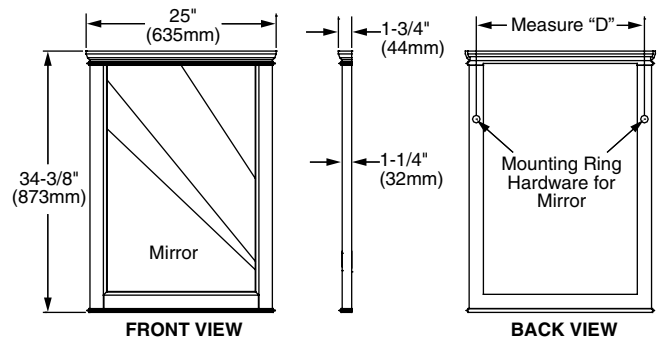
**NOTE:** Where possible, try to affix to a stud or provide adequate wall support for the size and weight of the mirror.

Measure distance "D" between Key Hole Slots.

Pre-drill holes in wall for Plastic Anchors (use when no stud is available) to the required "D" measurement and desired height from the floor.

Insert Plastic Anchors provided into the pre-drilled holes and thread the screw hardware into the Plastic Anchor using a proper screwdriver. Allow the head to protrude from the Plastic Anchor adequate to fit into the Key Hole Slots at back of Mirror.

#### Roughing-in Dimensions

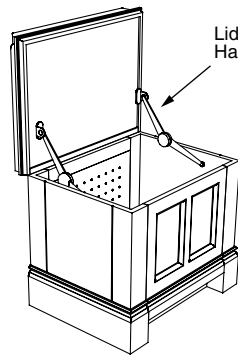


### GENERATIONS STORAGE STOOL 9210.300.329 INSTALLATION

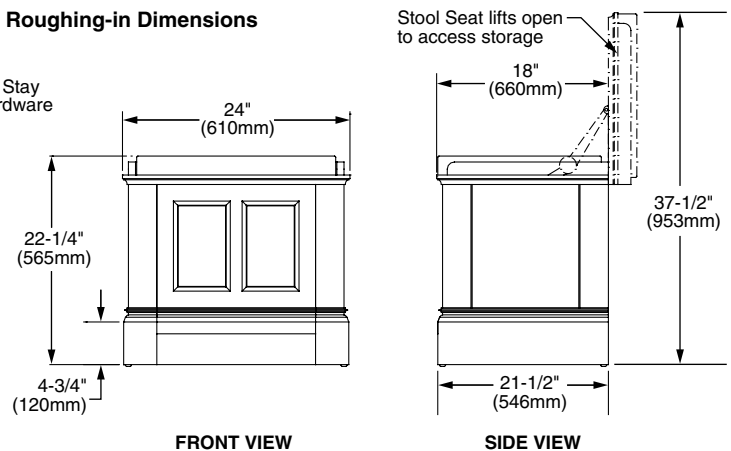
Move the Storage Stool into desired location.

Lid opens to access storage.

Lid stay hardware ensures that lid is secured in position when open and prevents lid from abruptly shutting closed.



#### Roughing-in Dimensions

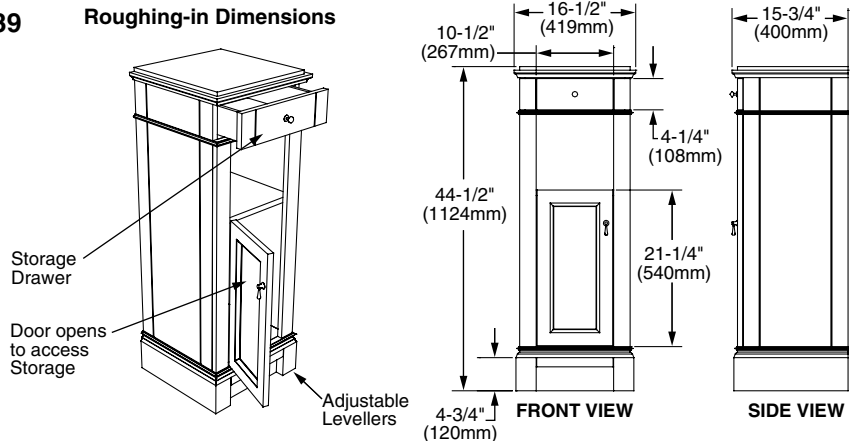


### GENERATIONS DEMI-APOTHECARY 9210.200.339 INSTALLATION

Move the Demi-Apothecary into desired location and level with the adjustable glides on the bottom of the feet. The glides can be adjusted outward up to 1" but it is recommended not to exceed 1/2" if possible.

Ensure glass shelf is inserted securely into side support slots of cabinet.

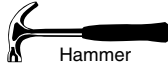
#### Roughing-in Dimensions



## Recommended Tools & Materials



Level



Hammer



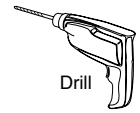
Tape Measure



Phillips Screwdriver



Regular Screwdriver



Drill

## REPLACEMENT PARTS LIST

**GENERATIONS MIRROR 9210.101.329**

**GENERATIONS STORAGE STOOL 9210.300.329**

**GENERATIONS DEMI-APOTHECARY 9210.200.329**

REPAIR PART NO.	DESCRIPTION	MIRROR 9210.101.329	STORAGE STOOL 9210.300.329	DEMI-APOTHECARY 9210.200.329
770006-0070A	LID STAY HARDWARE/ LEFT & RIGHT HAND (PAIR)		X	
730679-0070A	THREADED LEVELER (1 PER PACK)		X	
770007-0070A	DOOR PULL			X
770003-0070A	DRAWER PULL			X
770009-0070A	SHELF CLIP(S) FOR ADJUSTABLE SHELF			X
770010-0070A	PLASTIC FLOOR GLIDE			X
738642-0070A	MOUNTING KIT	X		

## Care and Cleaning

Clean the product by using soft, slightly damp cloth. Buff the product by using a soft dry cloth. When cleaning the mirror, spray the mirror with a glass cleaner and wipe clean. Avoid using silicone cleaners and waxes.

Clean up excess water and spills immediately. Use a blotting rather than a wiping action. Water left over a long period of time will cause white spots in the finish.

**NOTE:** Please note that some chemicals may damage the finish. Take care to avoid the following: iodine, hair dye, after shave lotion, shaving cream, alcohol, perfume, Lestoil®, Lysol Tub and Tile Cleaner®, Lysol Spray Disinfectant®, Dow Disinfectant®, acetone, paint remover, Formula 409®, Tile-X®, and Nair®.

## AS AMERICA, INC. ("AMERICAN STANDARD") WOOD FURNITURE WARRANTY

If inspection of this AS America, Inc. ("American Standard") plumbing product, within one year after its initial purchase, confirms that it is defective in materials or workmanship, American Standard will repair or, at its option, exchange the product for a similar model. Variations in actual wood color and finishes which may result from natural characteristics of the wood, such as grain patterns, mineral streaks and the like, are not defects and are not covered by this warranty.

This warranty applies only to the original purchaser and installation of these products.

This limited warranty does not apply to local building code compliance. Since local building codes vary considerably, the purchaser of this product should check with a local building or plumbing contractor to insure local code compliance before installation.

This warranty shall be void if the product has been moved from its initial place of installation; if it has been subjected to faulty maintenance, abuse, misuse, accident or other damages; if it was not installed in accordance with American Standard's instructions; or if it has been modified in a manner inconsistent with the product as shipped by American Standard.

American Standard's option to repair or exchange the product under this warranty does not cover any labor or other costs of removal or installation, nor shall American-Standard be responsible for any other incidental or consequential damages attributable to a product defect or to the repair or exchange of a defective product, all of which are expressly excluded from this warranty.

(Some states or provinces do not allow the exclusion or limitation of implied warranties, so this exclusion may not apply to you).

This warranty gives you specific legal rights. You may have other statutory rights that vary from state to state or province to province, in which case this warranty does not affect such statutory rights.

### In the United States:

American Standard Inc.

P.O. Box 6820

Piscataway, New Jersey 08855

Attention: Director of Consumer Affairs

For residents of the United States, warranty information

may also be obtained by calling the following

toll free number: (800) 442-1902

www.americanstandard-us.com

### In Canada:

American Standard

2480 Stanfield Rd.

Mississauga, Ontario

Canada L4Y 1S2

Toll Free: (800) 387-0369

www.americanstandard.ca

### In Mexico:

Customer Service Manager

Ideal Standard, S.A. de C.V.

Via Morelos #330

Col. Santa Clara

Ecatepec 55540 Edo. Mexico

www.americanstandard.com.mx