

EVOLUTION™ 2 ROUND FRONT TOILET

2426.012

- Vitreous china
- Low-consumption (6.0 Lpf/1.6 gpf)
- 305mm (12") rough-in
- Round front siphon action bowl with direct-fed jet
- Fully glazed 2" Trapway
- Generous 9" x 8" water surface area
- Pilot Valve Water Control
- 2" Flapper flush valve
- Color-matched trip lever
- Sanitary bar on bowl
- 2 color matched bolt caps
- 100% factory flush tested
- 2 Year Limited Warranty on Total Toilet

3061.016 Bowl

4061.016 Tank

Nominal Dimensions:

704 x 456 x 722mm
(27-3/4" x 18" x 28-3/8")

Fixture only, seat and supply by others

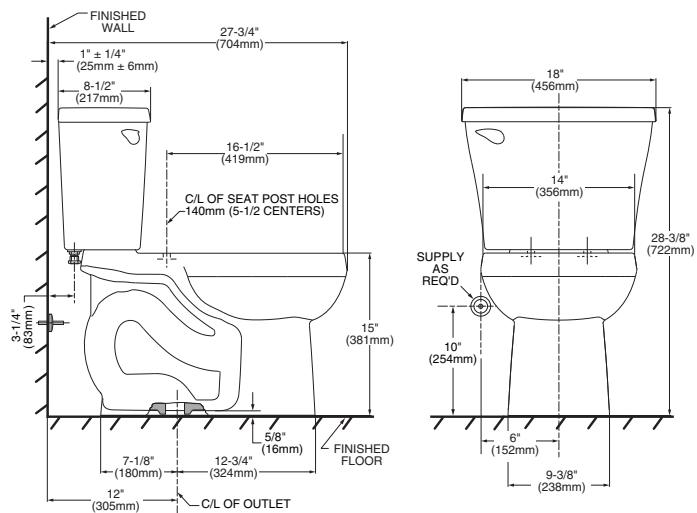
Alternate Tank Configurations Available:

- 4061.500** Tank complete with Aquagard liner
- 4061.800** Tank complete with tank lever located on right side

Compliance Certifications -

Meets or Exceeds the Following Specifications:

- ASME A112.19.2-2008/CSA B45.1-08
- Los Angeles Department of Water and Power Supplementary Purchase Specification for Non-Adjustability



NOTES:

THIS COMBINATION IS DESIGNED TO ROUGH-IN AT A MINIMUM DIMENSION OF 305MM (12") FROM FINISHED WALL TO C/L OF OUTLET. * DIMENSION SHOWN FOR LOCATION OF SUPPLY IS SUGGESTED. SUPPLY NOT INCLUDED WITH FIXTURE AND MUST BE ORDERED SEPARATELY.

IMPORTANT: Dimensions of fixtures are nominal and may vary within the range of tolerance established by ANSI Standard A112.19.2. These measurements are subject to change or cancellation. No responsibility is assumed for use of superseded or voided pages.

To Be Specified:

- Color: White Bone Linen
- Seat: American Standard #5322.019 "Rise and Shine" solid plastic closed front seat with cover.
- Seat: American Standard #5308.012 "Laurel" molded closed front seat with cover.
- Seat: American Standard #5320.110 EverClean™ Elongated Seat with Cover and Slow Close Snap-Off hinges
- Alternate Seat:
- Supply with stop: