

# 120 Volt Halogen Under Cabinet

## Installation instructions for LHC Series

**WARNING:** These products may represent a possible shock or fire hazard if improperly installed or attached in any way. Products should be installed in accordance with the owners manual, current electrical codes and/or the current National Electric Code (NEC).

**WARNING:** To avoid electrical shock, disconnect power to the unit prior to installation or replacing lamp. Caution: Injury to persons and damage to the lamp and/or mounting surface may result if the lamp is pulled from the surface. To reduce the likelihood of such injury or damage, mount on a surface that is mechanically sound.

### HARDWIRE INSTALLATIONS:

1. Pull the lens cover away from the front edge of the fixture gently rotating towards the back of the fixture. The lens cover will now be open at a 90° angle to the base of the fixture.
2. Remove the lens cover from housing by gently sliding each end of the lens towards the front of the unit (see Figure 2).
3. To gain access to the wires contained inside the fixture, remove the two screws that secure the wire housing cover to the wiring enclosure.
4. Lift off wire housing cover and remove whichever knockout is most conveniently located to your 120V power supply. Standard knockouts are located on the back, top and ends of the fixture (see Figure 2).

### SUPPLY WIRES CONNECTION:

Feed wires into fixture housing. Connect fixture wires to supply wires following NEC or local codes. Use minimum 18 AWG solid copper wires. Attach white to white, black to black and ground to ground.

### REPLACE THE WIRE HOUSING COVER:

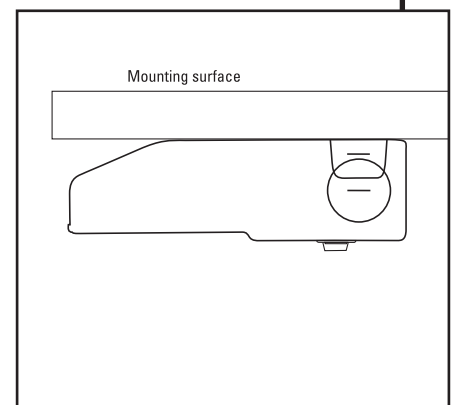
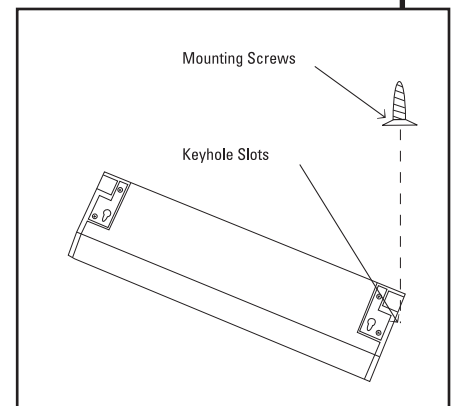
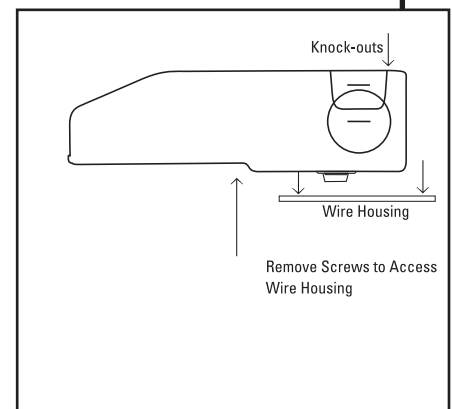
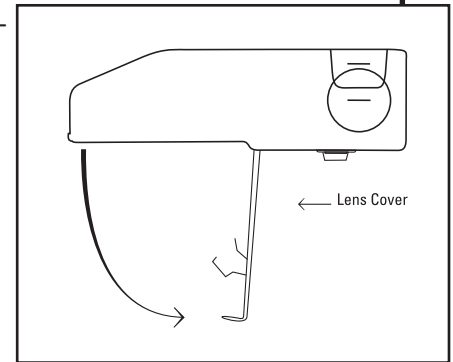
Use the existing screws to secure the wire housing cover in place.

### INSTALL THE BULB(S) PROVIDED:

Do not touch the bulb with bare hands. Use a soft cloth to handle bulb.

### REPLACE LENS COVER:

By gently pushing the sides of lens into place. Do not operate without lens cover in place.



AMERICAN LIGHTING  
BRIGHT IDEAS • INNOVATIVE PRODUCTS

[www.americanlighting.com](http://www.americanlighting.com)

# 120 Volt Halogen Under Cabinet c<sup>UL</sup>us

## Installation instructions for LHC Series

**WARNING:** These products may represent a possible shock or fire hazard if improperly installed or attached in any way. Products should be installed in accordance with the owners manual, current electrical codes and/or the current National Electric Code (NEC).

### MOUNTING:

This product is designed to be mounted to the underside of a horizontal surface such as the bottom of a cabinet or shelf.

1. Place fixture in desired location.
2. Mark the position of the mounting holes.
5. Pre-drill holes at marked locations and attach mounting screws (included) to horizontal surface. Be sure to leave a 1/4" space between surface and screw head/ For mounting onto surfaces other than wood, use suitable fasteners (not included).
6. Slip housing over screw heads and slide backward along keyhole slots to hold fixture (see Figure 3).
7. Tighten screws to secure housing to surface (see Figure 4).

**WARNING: LIGHTED LAMP IS HOT**

### TO REPLACE BULB:

1. Turn off fixture and allow lamp(s) to cool before replacing bulb.
2. Use only 20 watt / 120 volt maximum Xenon bulb JGDGY8 (LXCP20BP).
3. Pull the lens cover away from the front edge of the fixture gently rotating towards the back of the fixture. The lens cover will now be open at a 90° angle to the base of the fixture (see Figure 1).
4. Remove the old bulb and insert the new bulb.
5. Close the lens cover and turn on the fixture.

### ADDITIONAL SAFETY MEASURES:

1. Bulb gets hot quickly. Only contact switch when turning on fixture.
2. Do not touch hot lens, lens holder or enclosure.
3. Do not look directly at lighted bulb.
4. Keep lamp away from flammable materials.
5. Do not operate lamp with a missing or damaged lens.

### IMPORTANT SAFETY INSTRUCTIONS

This product has a polarized plug (one blade is wider than the other) as a feature to reduce the risk of electric shock. This plug will fit in a polarized outlet only one way. If the plug does not fit full in the outlet, reverse the plug. If it still does not fit, contact a qualified electrician. Never use with an extension cord unless plug can be fully inserted. Do not alter the plug.

