

# Ultra Thin Fluorescent

## Installation instructions for ALFLT4 Series

**WARNING:** These products may represent a possible shock or fire hazard if improperly installed or attached in any way. Products should be installed in accordance with the owners manual, current electrical codes and/or the current National Electric Code (NEC).

### MOUNTING INSTRUCTIONS

1. Locate desired position for the light.
2. Mark the position of mounting holes for each mounting clip.
3. Attach mounting clips using enclosed screws.
4. Snap or slide the light into the clips. Handle with care to avoid damaging the fixture or breaking the bulb. (See Figure 1)
5. Connect power cord to the end of the fixture by pushing connector into the fixtures moxex port until it snaps into place.

### For two or more fixtures

6. Up to ten fixtures can be "daisy chained" in a run using inline connectors or spaced up to 24" apart using linking connectors. Locate and mount additional fixtures per steps 1-4 above and link together by snapping connectors or extensions into place.
7. Plug power cord into wall outlet.

### BULB REPLACEMENT

Warning: Disconnect lights from power supply before replacing lamp.

1. Gently pull plastic lens cover/diffuser off the fixture.
2. To remove bulb, turn it so that its pins are aligned in socket slots.
3. Pull out old lamp.
4. Insert new lamp by aligning pins with socket slots and pushing gently into socket. (See Figure 2)
5. Turn lamp 1/4 turn to secure pin contact into lamp holder.

### WARNING:

The maximum number of Ultra-Thin Fluorescent light fixtures that can be connected together is 10.

### CAUTION:

Important Safety Instructions:

This portable lamp has a polarized plug (one blade is wider than the other) as a feature to reduce the risk of electric shock. This plug will fit into a polarized outlet only one way. If the plug does not fit fully into the outlet, reverse the plug. If it still does not fit, contact a qualified electrician. Never use with an extension cord unless a polarized plug can be fully inserted. Do not alter the plug.

Do not use dimming circuits.

Figure 1

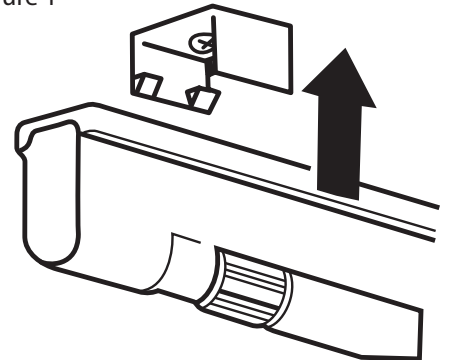


Figure 2

