

DESCRIPTION

At only 5/8" high, this small but powerful light will hide within virtually any cabinet frame and deliver white task lighting for the work surface. Advantages of cold cathode over conventional lighting sources include minimal heat, 10,000 hours of life and about 75% energy savings. Linkable up to 18 watts with included accessories and 12V DC power supply (sold separately).



SPECIFICATIONS

Dimensions:

6.25" long x 4" wide x 19/32" high.

Construction:

White durable plastic construction with frosted plastic lens.

Finishes:

White.

Reflector:

None.

Lamp:

12V, 5 watt cold cathode fluorescent 3200°K

Lens:

Plastic frosted for even light distribution.

Mounting:

Mount at the top of cabinets, under or inside cabinets or on any horizontal surface that is at least 5/8" thick. Optimized for fast, modular installation using screws with clip in mounting bracket (included).

Safety Ratings:

None. Interior use only.

Maximum Run:

Link up to three units end to end using 12" linking cord (included).

ELECTRICAL

Portable:

Use 12vDC transformer with 12vDC jack (sold separately)

Multiple Fixtures:

Link up to three units together in a single run using the appropriate sized transformer.

onvenient On/Off rocker switch is standard.

See next page for ordering information.



AMERICAN LIGHTING
BRIGHT IDEAS • INNOVATIVE PRODUCTS

T: 800.880.1180

F: 303.695.7633

DATE: _____ TYPE: _____
FIRM NAME: _____
PROJECT: _____

ORDERING INFORMATION

025-0001

Series

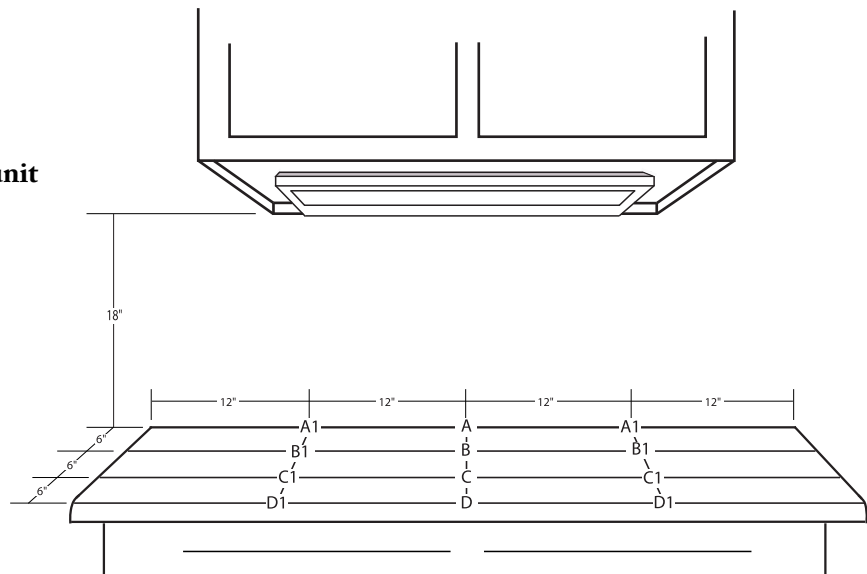
PHOTOMETRIC DATA

CC-14	
A : 7.1	A1 : 3.5
B : 7.6	B1 : 3.8
C : 5.7	C1 : 3.2
D : 3.6	D1 : 2.4

Data shown above, expressed in foot candles, is a result of a single fixture, with the exception of Clear Rope Light. Counter top reflectance 80%. Rear wall reflectance 80%. See diagram for points of measurement.

ACCESSORY INFORMATION

- 025-0002** Wall Plug-In 12vAC 7.2w Elect Trans.
- 025-0003** Remote Plug-In 12vAC 18w Elect Trans.
- 12" linking cord with male DC jacks included with each unit**

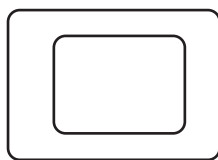


INSTALLATION EXAMPLE

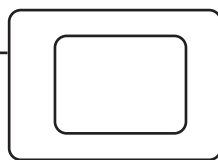
Direct wire installation



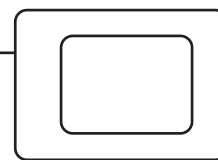
Plug-in Driver
(025-0003)



Cold Cathode
(025-0001)



Cold Cathode
(025-0001)



Cold Cathode
(025-0001)

DIMENSIONAL DATA

