

12V Halogen Puck Light

Installation instructions for ALP Series

WARNING: These products may represent a possible shock or fire hazard if improperly installed or attached in any way. Products should be installed in accordance with the owners manual, current electrical codes and/or the current National Electric Code (NEC).

RECESSED MOUNTING (See Figure 4)

Caution: Risk of fire! Only recess mount puck lights when top of cabinet is NOT enclosed.

1. Drill a 2¹/₈" hole in the desired location. Note: A 2¹/₄" hole will be too large to hold the puck light in place.
2. Remove lens cover by rotating counter-clockwise.
3. Discard surface ring and screws. They are not needed for recessed applications.
4. Feed wires through hole and push light housing into hole until it seats. Its tension-fit design will hold the housing in place. Note: Make sure there is no contact between the hot lamp, lampholder or reflector, and the wire or any combustible material such as plastic or paper goods. Secure the wires to prevent them from contacting the cabinet light.
5. Replace lens cover.
6. **For two or three** Puck lights. (See Figures 2 and 3)
Take the ribbed wires from the puck lights and twist them together into one connection. Repeat this process with the smooth wires.
7. Insert the ribbed wire cluster into the side of the terminal block that is across from the ribbed wire coming from the transformer and screw down the retaining screw to hold the wires in place. Insert the smooth wires into the hole that is next to the ribbed wires and tighten screw.
8. Plug the transformer into a standard 120-volt outlet.

IMPORTANT SAFETY INSTRUCTIONS

Warning! Please read the following: to reduce risk of fire, electric shock, or injury to persons. Lighted lamp is hot.

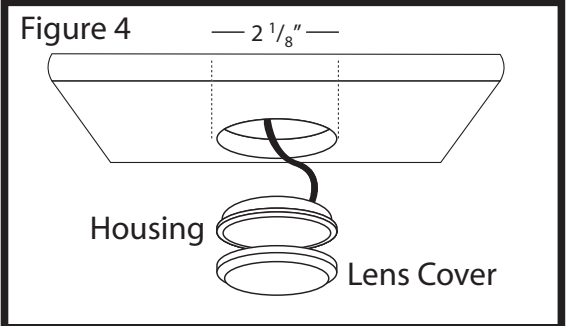
1. Turn off lights and allow to cool before replacing bulb.
2. Bulb gets HOT quickly. Contact only switch/plug when turning off.
3. Do not touch hot lens, lens holder or enclosure.
4. Do not direct light at persons.
5. Do not look directly at lighted bulb.
6. Keep lamp away from curtains and similar materials that may burn.
7. Use only 20 watt or smaller bulb.
8. Do not operate the light with a missing or damaged lens. Lens acts as a guard.
9. This fixture is equipped with a polarized plug (a plug having one blade wider than the other). This plug will fit in a polarized outlet only one way. This is a safety feature. If you are unable to insert the plug fully in the outlet, reverse the plug. If it still will not fit, contact a qualified electrician.

TROUBLE SHOOTING

1. **If one or more lights should fail to work:** Push bulb into socket to reset pins that may have vibrated loose during shipping. Replace lens cover and plug in.
2. **If one or more lights flicker:** Unplug and allow to cool. Check all connections. If system is on a dimmer, disconnect dimmer.

BULB REPLACEMENT

1. Twist lens cover counter-clockwise.
2. Remove burned out bulb.
3. Insert new bulb. Use only 12-volt type, G4 base, 20 watt or 10 watt.
4. Replace lens cover.



SAVE THESE INSTRUCTIONS

www.americanlighting.com



AMERICAN LIGHTING
BRIGHT IDEAS • INNOVATIVE PRODUCTS

12V Halogen Puck Light

Installation instructions for ALP Series

WARNING: These products may represent a possible shock or fire hazard if improperly installed or attached in any way. Products should be installed in accordance with the owners manual, current electrical codes and/or the current National Electric Code (NEC).

CAUTION - To reduce risk of fire, electric shock or injury to persons:

1. This light is intended for use as a cabinet light only.
2. Not intended for installation in ceilings and soffits.
3. Not intended for lighting aquariums.
4. Lights are intended to point downwards only. Do not point upwards.
5. Not intended for installation in plastic cabinets. Mount only on wood or particleboard surfaces that are mechanically sound.
6. Do not locate puck lights closer than 12" to each other. Do not install closer than 12" to a cabinet wall or in a compartment smaller than 12" x 12" x 12".
7. Route and secure cords so they will not be pinched or damaged when the cabinet is pushed to a wall.
8. Use only insulated cord retaining clips (included), insulated staples or plastic ties to secure cords.

SURFACE MOUNTING (See Figure 1)

1. Remove lens cover by rotating counter-clockwise.
2. Mark desired position for the light. Be sure to orient notches for wires in desired locations. Position puck light so as to permit reading of the lamp replacement markings.
3. Drill 1/2" hole in mounting surface for wires to go through or use notch in surface ring to route wires.
4. Mount housing to surface using the screws provided.
5. Replace lens cover.
6. Route wires through drilled hole or along surface to the terminal block of the transformer, attaching wires with cord retaining clips and screws provided. Avoid contact of the cord or combustibles such as plastic, paper goods, and the like, with the hot lamp housing or reflector.
7. Trim excess wire and strip 1/2" of insulation from end of wires.
8. **For two or three** Puck lights. (See Figures 2 and 3)
Take the ribbed wires from the puck lights and twist them together into one connection. Repeat this process with the smooth wires.
9. Insert the ribbed wire cluster into the side of the terminal block that is across from the ribbed wire coming from the transformer and screw down the retaining screw to hold the wires in place. Insert the smooth wires into the hole that is next to the ribbed wires and tighten screw.
10. Plug the transformer into a standard 120-volt outlet.

Figure 1

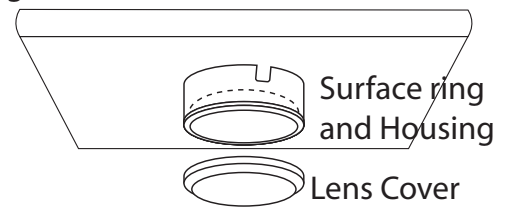


Figure 2

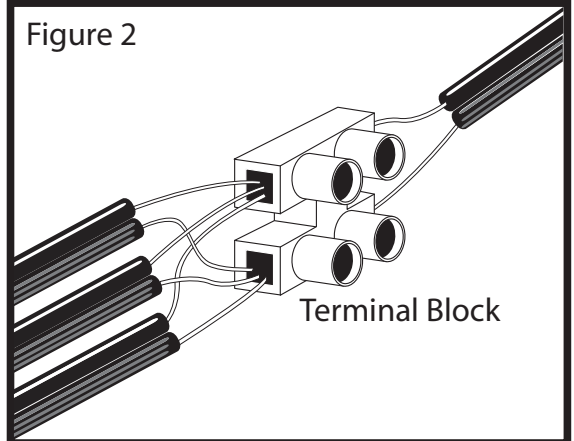


Figure 3

