



A MASCO Company
 Phone: (800) 421-0001
 Fax: (517) 439-9644
 Internet: www.alsons.com

Specifications

1545 - Premium Massage Hand Shower Unit

- Wall bar mounting system
- 1/2-14 NPSM connection point
- Designed and manufactured in accordance with ANSI A112.18.1M
- Meets ASSE 1014 requirement of withstanding an operating supply pressure of 125 PSI (862kPA)
- Meets ASSE 1014 requirement of withstanding and operating temperature of 110° Fahrenheit (43.3° Celsius)
- Available in box packaging

Hand Shower (445)

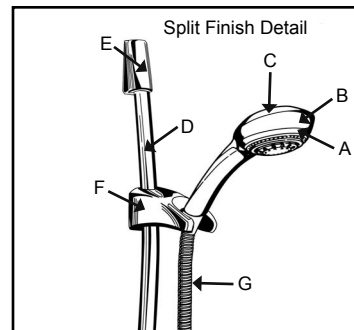
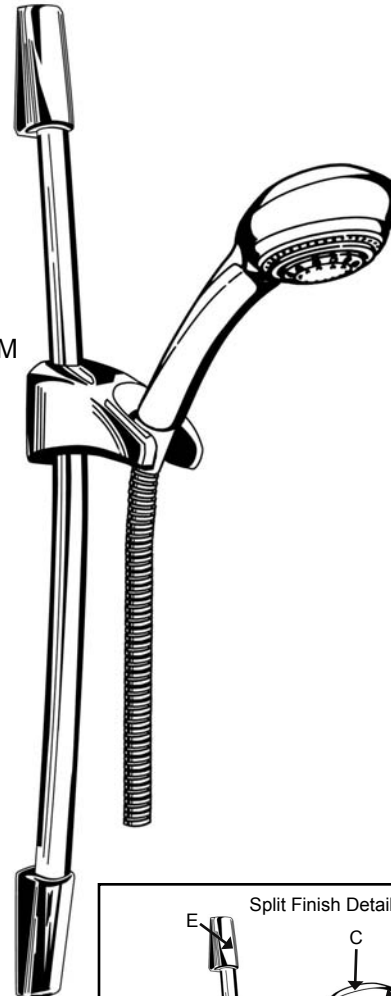
- Includes pin cleaning mechanism
- 2.5 GPM @ 80 PSI

Wall Bar (15041)

- 24" hose nut wall bar with adjusting height
- Concealed mounting system
- Made of metal and engineering grade ABS plastic components
- Accommodates conical hose nuts

Double Spiral Metal Hose (495 DS)

- 69" long
- Chrome-plated brass hose spiraled over a rubber inner liner
- Includes one conical and one all brass hex nut
- Lifetime Warranty



	Brilliance & Chrome	White & Chrome
A	Brilliance	Chrome
B	Chrome	White
C	Brilliance	White
D	Chrome	White
E	Brilliance	Chrome
F	Brilliance	Chrome
G	Chrome	Chrome

Finish	Model Number
Brilliance Polished Brass	1545 2010 BX
Brilliance Polished Nickel	1545 3510 BX
Brilliance Stainless Steel	1545 3810 BX
Brilliance Pol. Brass & Chrome	1545 C 2010 BX
Satin Nickel	1545 3110 BX
White & Chrome	1545 WC BX
Chrome	1545 C BX
White	1545 BX



Made in the USA

Revised 7/04