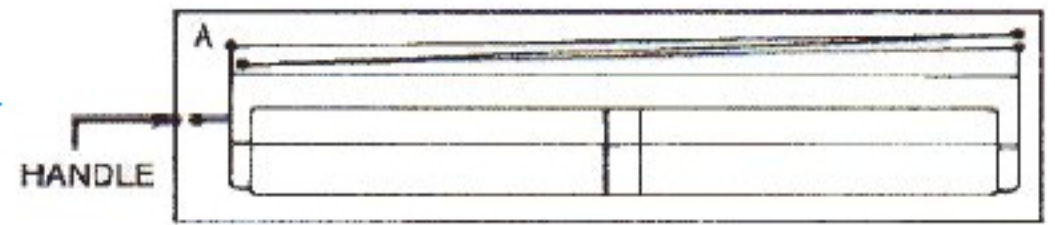


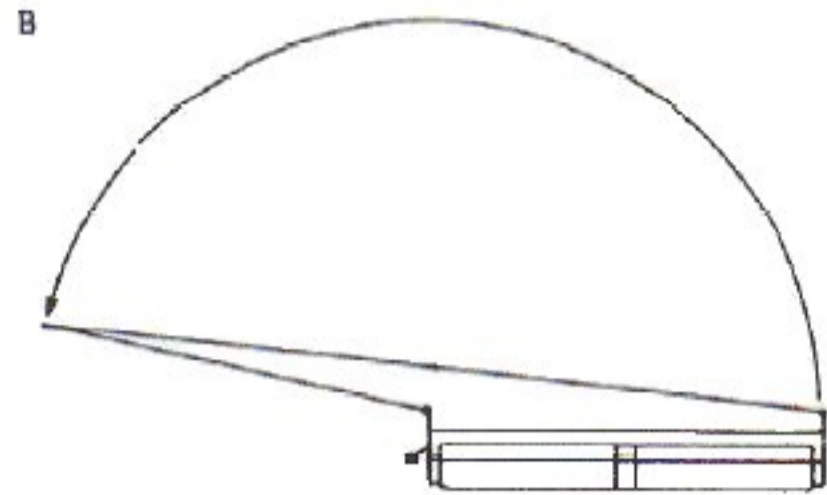
# Crate Assembly Instructions

## Fold and Carry

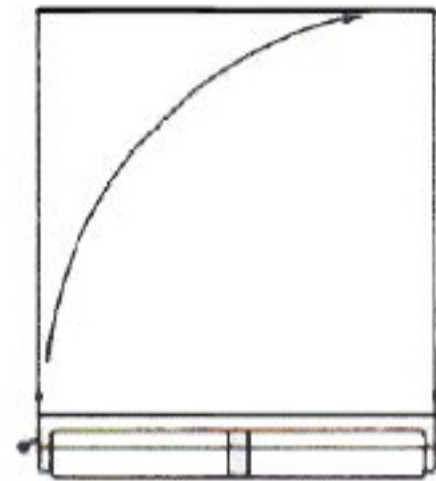
1. Set crate flat with handle to the left and unlatch clips on right side. (Illustration A)



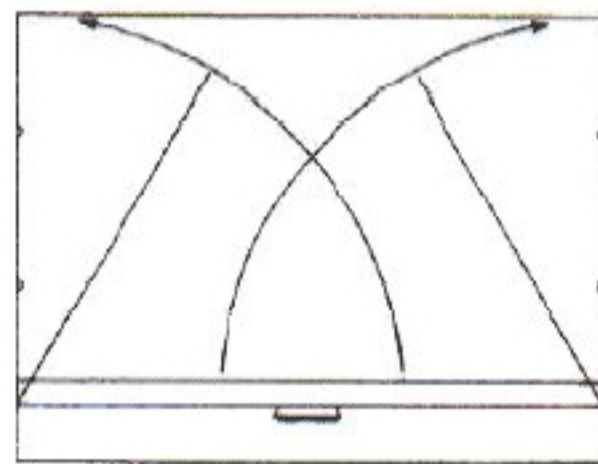
2. Fold out crate panels to left side. (Illustration B)



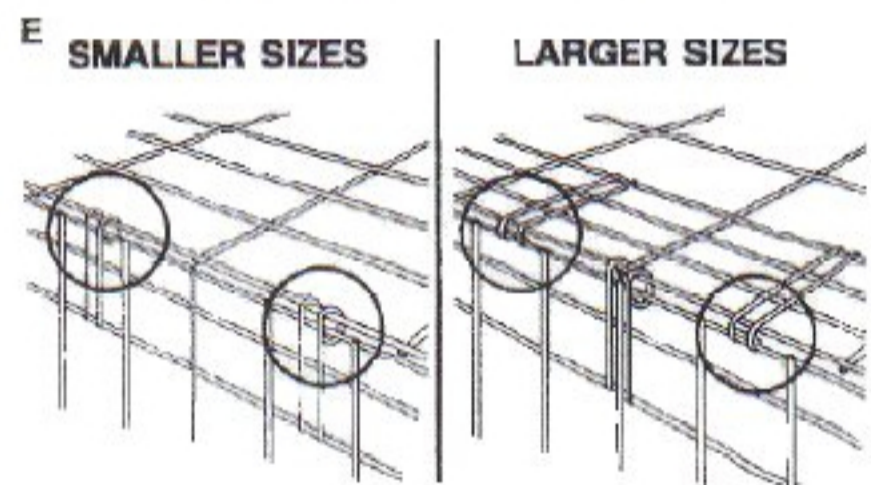
3. Grab center hinge and move up and to the right to form main structure of crate. (Illustration C)



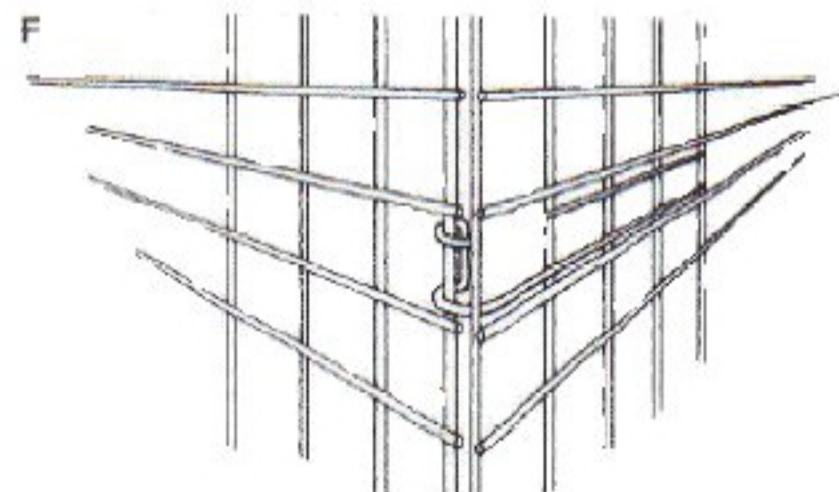
4. Reach in and grab panels, pull up and lock into side panels. (Illustration D)



5. Make sure end panels are secured to the top panel. To lock, pull end panel out, and press top panel down to secure in place. (Illustration E)



6. Also secure end panels into side catches. (Illustration F)



7. To open door, simply turn cam lock "counter clockwise," swing cam lock outwards and lift door to clear eye locks. (Illustration G)

