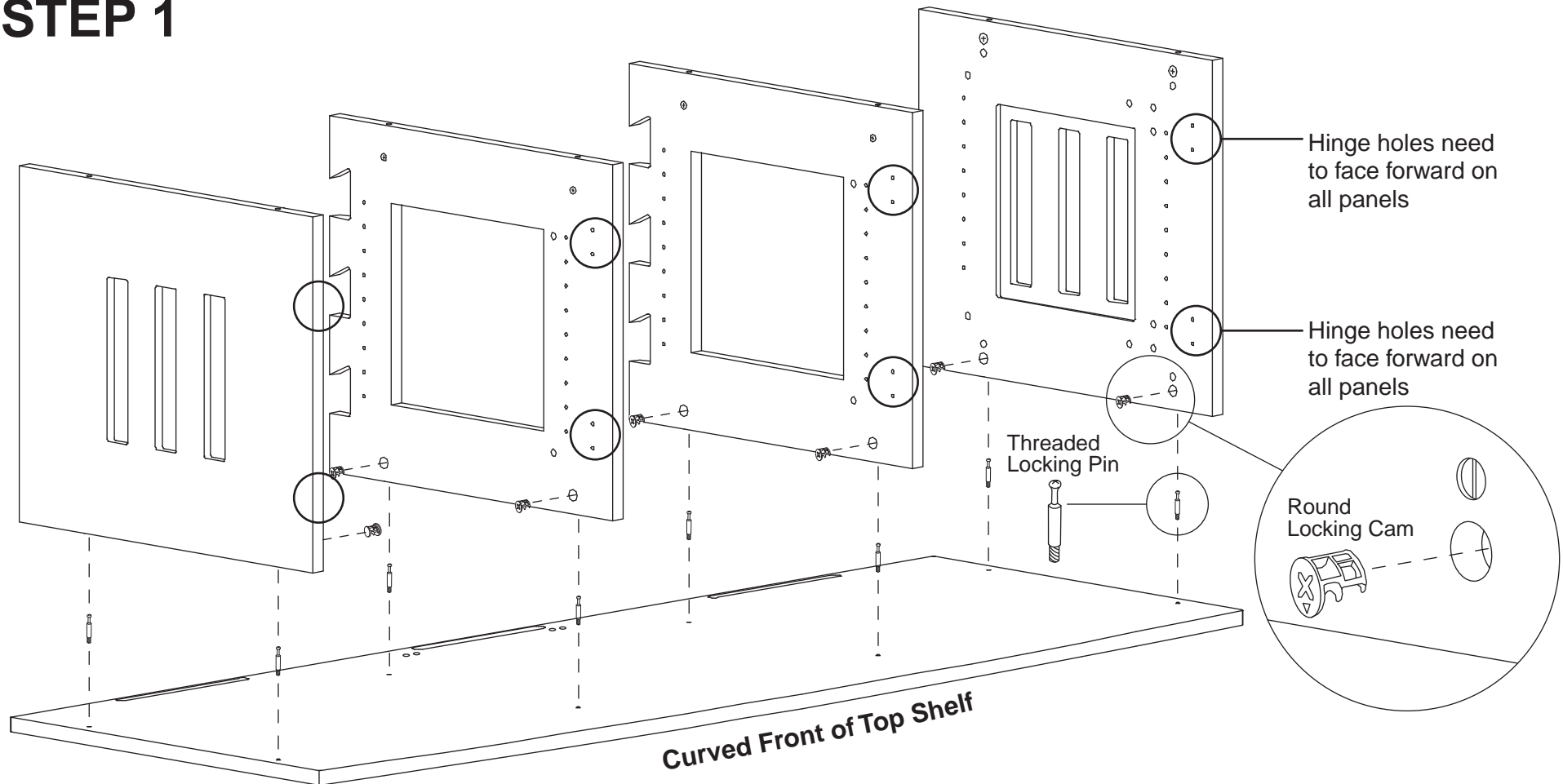


STEP 1



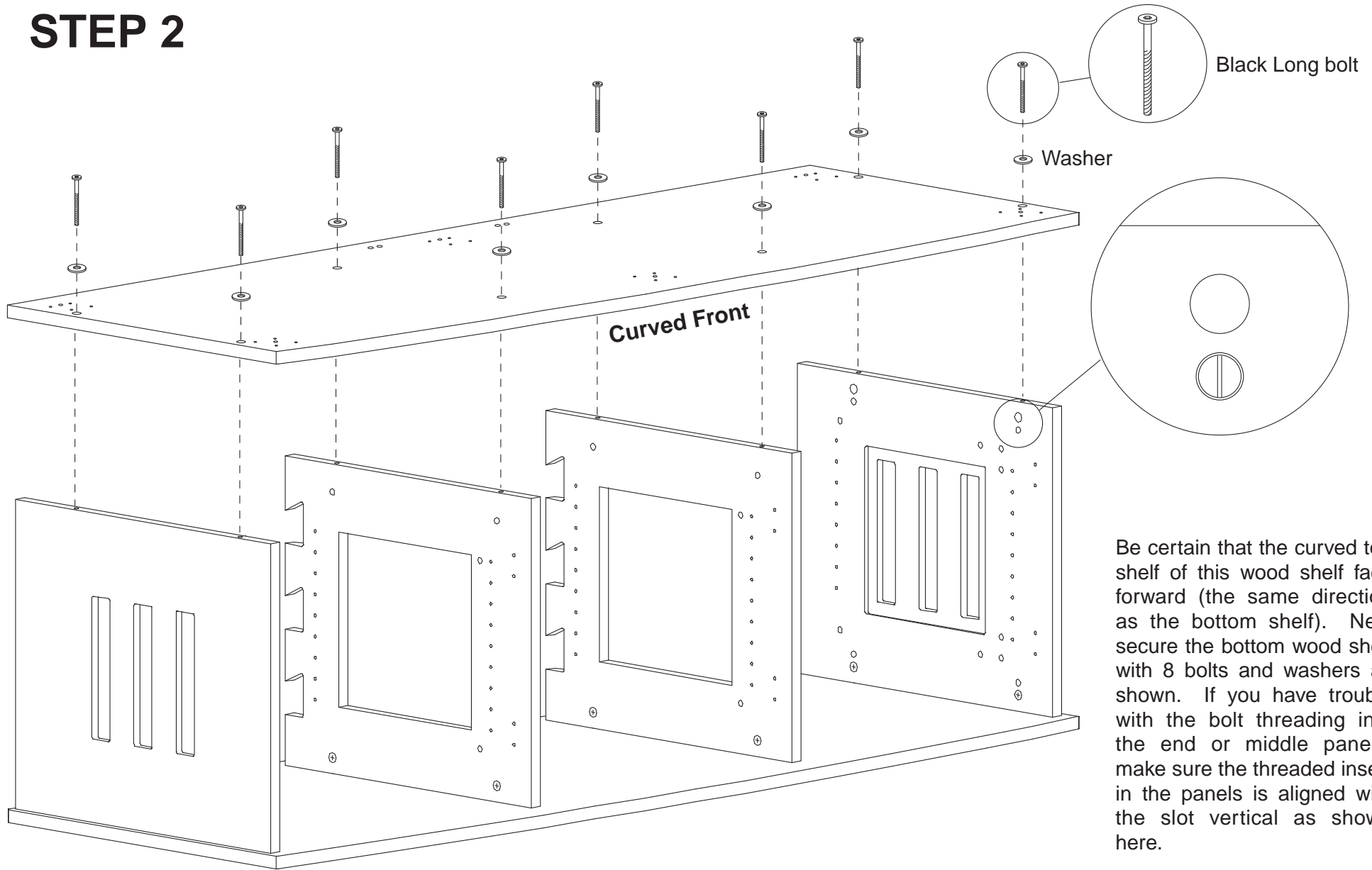
Start assembly with the top shelf of the rack upside down. Use care not to scratch the top surface of this wood shelf during this step. Carpet or other soft surfaces work best for this.

The curved front of the top should be facing you during steps 1, 2 and 3.

Secure the two end panels and the middle panels as shown in step 1.

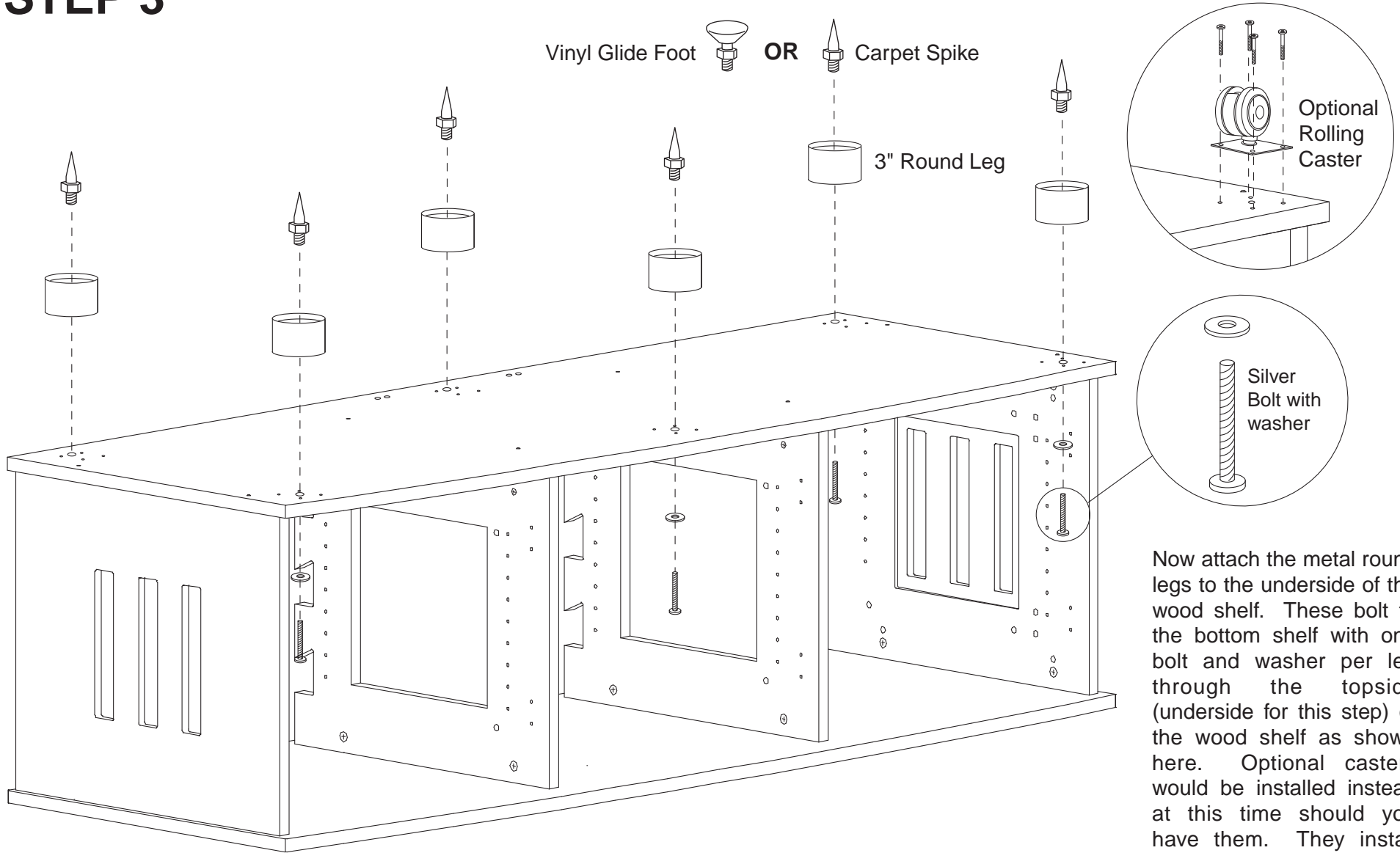
Use the pins and cams provided as shown. The pins simply screw into the threaded inserts in the top shelf. Then simply slip the end and middle panels over the pins and lock the cam in place clockwise with a screwdriver. Be sure the small holes in the side panels for the hinge plates are facing forward (towards the curved front edge of the top shelf as shown here). Be sure the cam is tight and the panel is securely fastened in place.

STEP 2



Be certain that the curved top shelf of this wood shelf face forward (the same direction as the bottom shelf). Next secure the bottom wood shelf with 8 bolts and washers as shown. If you have trouble with the bolt threading into the end or middle panels, make sure the threaded insert in the panels is aligned with the slot vertical as shown here.

STEP 3

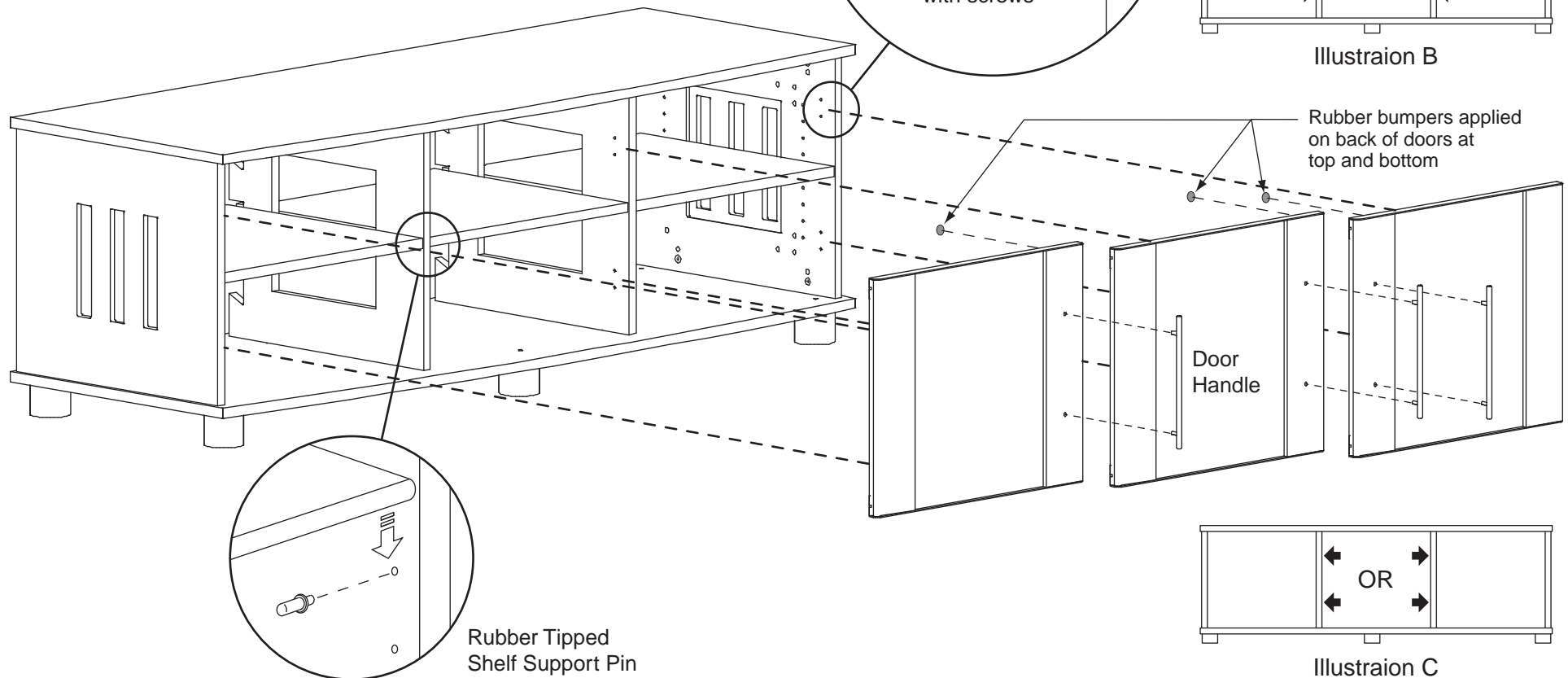
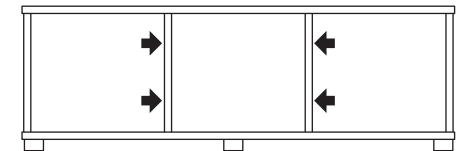
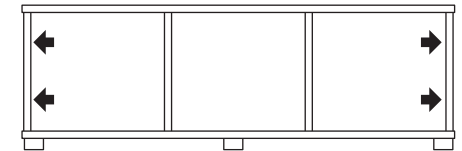
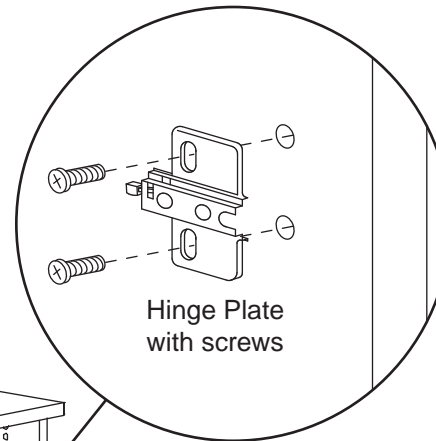


Now attach the metal round legs to the underside of the wood shelf. These bolt to the bottom shelf with one bolt and washer per leg through the topside (underside for this step) of the wood shelf as shown here. Optional casters would be installed instead at this time should you have them. They install with 4 screws (provided) per caster as shown.

STEP 4

Next install the doors on the cabinet. Begin by attaching the hinge plates to the side and middle panels as shown here. At this time you need to decide which way you want the doors to open. Most people want the doors to open as shown here (See illustration A). If you want this door configuration you must install the hinge plates on the two end panels as shown. Should you want the door(s) to open the other way then you would secure the hinge plates to the middle panels as shown here (See illustration B).

Next you have to decide which way you want the center door to open (See illustrations C).

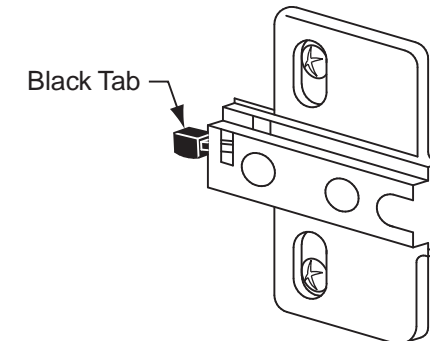
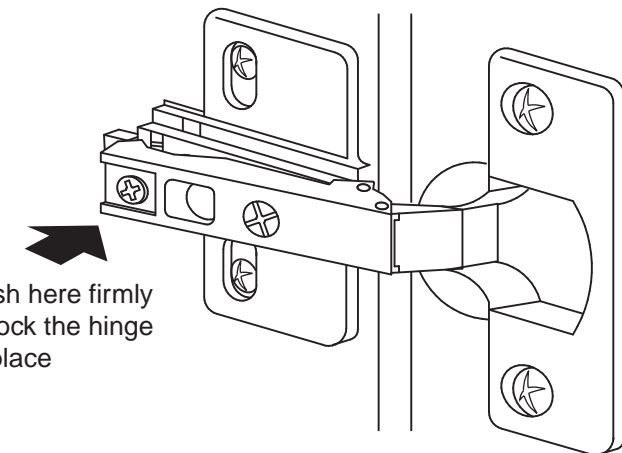
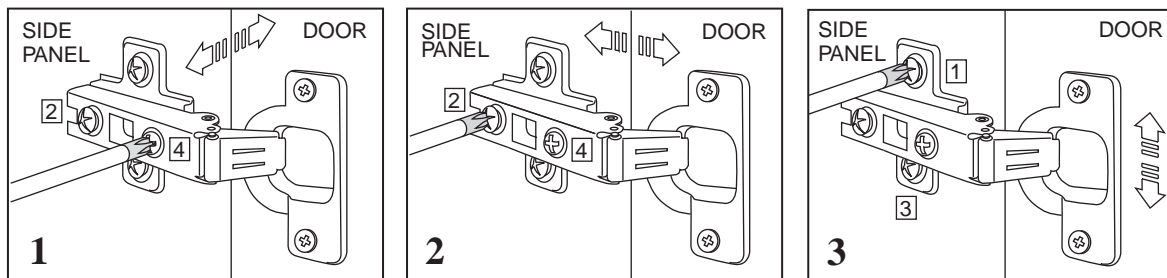


STEP 5

Now secure the doors with the hinges on the cabinet by aligning the front part of the hinge (two small hooks on each hinge - see illustration) with the front of the hinge plate. Once these small hooks are locked in the front of the hinge plate, press firmly on the back part of the hinge until it clicks in place. You must push firmly during this step. Be sure the hinge is securely locked in place before proceeding with assembly. If you need to remove a door simply press/move the small black tab on the back on the hinge plate up or down. This will unlock the hinge and allow the door to be removed. Use caution during this step. The doors are heavy and should be handled with care. If the doors do not align properly in the opening of the cabinet, they can be adjusted as shown here for proper alignment (See illustrations below). The final step for the doors is to attach the door handles. They simply screw to the doors with two screws each through the back of each door as shown.

Next you can insert the middle shelves in the cabinet with the rubber tipped shelf support pins shown here. They simply push into one of many holes in the end and middle shelves. Once you have chosen the spacing you want for the shelves, place 4 pins per shelf in the side/middle panels and then gently insert the shelves and rest them on the pins. Note that the shelves have small notches in the bottom of the shelf that lock the shelf over the pins to keep the shelf from pulling out. Be sure that the underside of the shelf with these notches is placed down when installing the shelves.

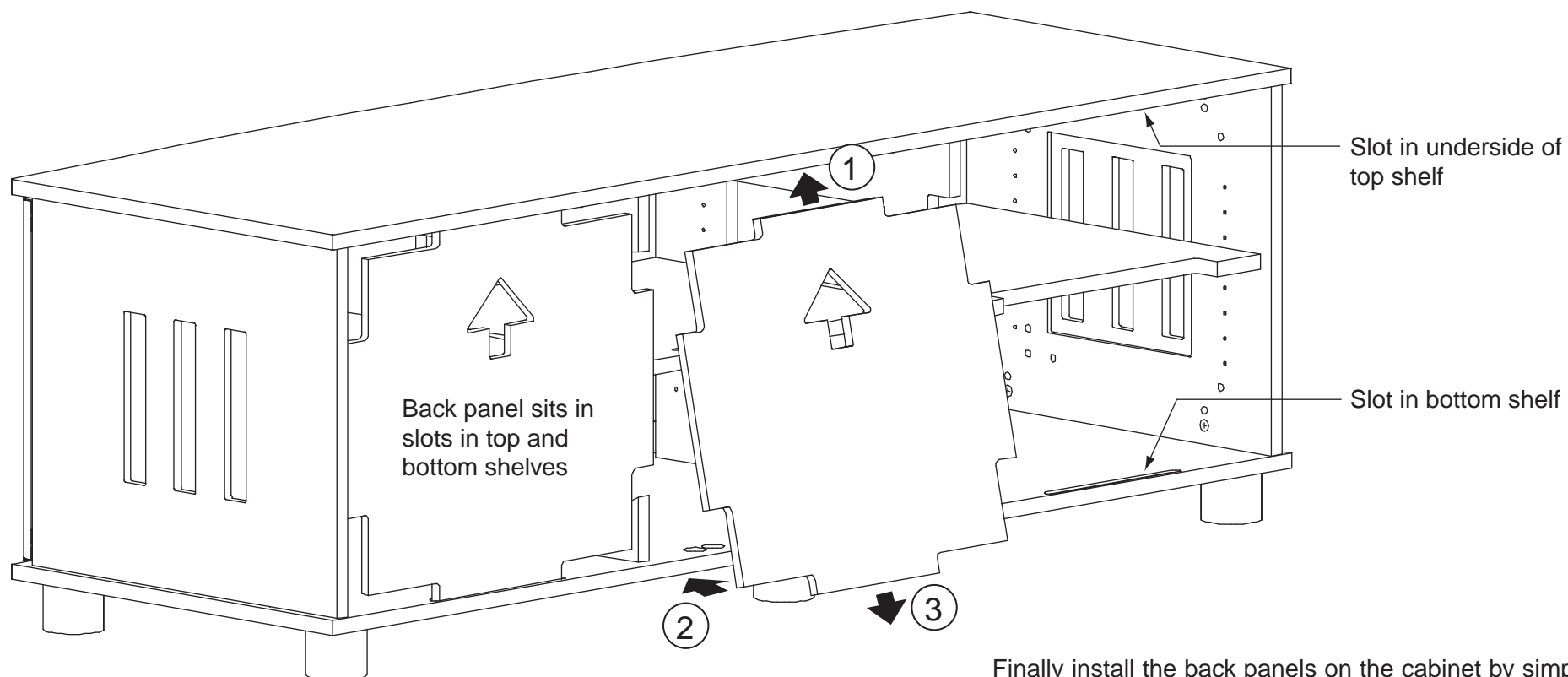
DOOR HINGE ADJUSTMENT



NOTE THAT FOR THE DOOR TO FIT PROPERLY IN THE OPENING OF THE RACK, YOU MAY NEED TO ADJUST THE HINGES SIDE TO SIDE, IN OR OUT, UP OR DOWN.

To adjust door side to side, see detail #1.
To adjust door in and out, see detail #2.
To adjust door up and down, see detail #3.

STEP 6



Finally install the back panels on the cabinet by simply aligning the top tab of the back panel with the slot in the underside of the top shelf and then slip the bottom tab of the back panel in the slot in the top side of the bottom shelf as shown here. The panels can be easily removed by gently pulling up on the panel to remove the bottom tab from the slot. The panel will then come out easily in the reverse way it was installed.

Limited Lifetime Warranty

Congratulations for choosing StudioTech product.

StudioTech is a premier Audio/Video Furniture manufacturer and we offer a full line of Audio/Video Furniture. The product you have just purchased has been designed and manufactured with great care and attention to detail. We are pleased to offer you a Limited Lifetime Warranty on this product as outlined below.

Lifetime Warranty

StudioTech Inc., warrants to the original retail purchaser, that this product is to be free from defective materials and workmanship, when used in normal applications, for the life of the product. StudioTech warrants that it will repair or replace, at its option, any such defective product at no charge for parts or labor provided the product is delivered intact by the owner, postage prepaid to StudioTech. Inspection must disclose that all defects are as specified. If you are not registered in our Customer Care Program, Proof of Purchase is required.

Limitations:

This warranty is limited to this StudioTech product and specifically excludes consequential damages to other components or premises which may result for any reason from the failure of the product. This warranty is null and void for products not used in accordance with StudioTech's instructions and shall also be null and void for products misused, neglected, abused, modified, altered or damaged by accident or otherwise not in accordance with StudioTech's instructions. This warranty does not cover cosmetic damage including paint damage by accidental or normal wear during use.

StudioTech assumes no liability for any costs or fees incurred for any services performed where nothing is wrong with the product, nor does StudioTech cover the cost of set up, installation, or adjustment. This warranty does not cover time, transportation or compensate for inconvenience or loss of the product.

Some states do not allow limitations on how long a warranty applies and/or exclusions or limitations of incidental or consequential damages, so the above limitations may not apply to you. This warranty gives you specific legal rights which vary from state to state. THIS WARRANTY IS IN LIEU OF ALL OTHER WARRANTIES, EXPRESSED OR IMPLIED, OF MERCHANTABILITY, FITNESS FOR A PARTICULAR PURPOSE OR OTHERWISE. STUDIOTECH, INC. SHALL IN NO CASE BE RESPONSIBLE FOR INCIDENTAL OR CONSEQUENTIAL DAMAGES OTHER THAN SET FORTH ABOVE.

Returns:

In the event you should suspect this StudioTech product may be defective in the course of the warranty period, you must contact StudioTech to receive Return Authorization. We will either ship you a replacement part for your product or we will issue an RA for you to return the product to us. Once you have received Return Authorization, you are responsible for delivery of product with a copy of the completed return authorization form and the original Bill of Sale, postage prepaid to StudioTech for repair or replacement. Remember to pack all parts carefully and in the original carton if possible and mark the RA # clearly on the outside of the carton near the address label. We suggest you insure the package as StudioTech is not responsible for damage caused in shipment while product is in transit to StudioTech or by improper packaging. Additional charges may be added to product which requires new packaging materials for return shipment. No returns will be accepted without proper Return Authorization from StudioTech. This authorization may not be given by any other party. Unauthorized returns will be refused and the purchaser will be liable for shipping charges in both directions. Repaired product will be shipped back to you postage prepaid within the continental U.S.A. StudioTech reserves the right to make changes in product design and specifications at any time.

Thank you again for purchasing StudioTech products.