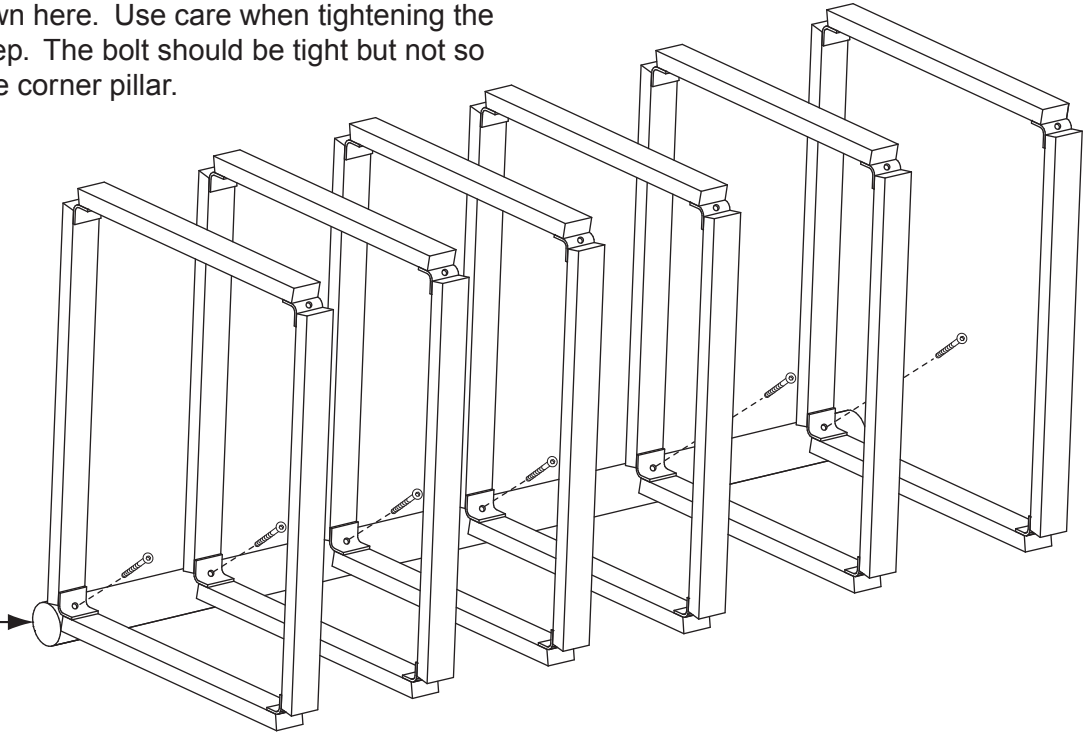


Assembly Instructions

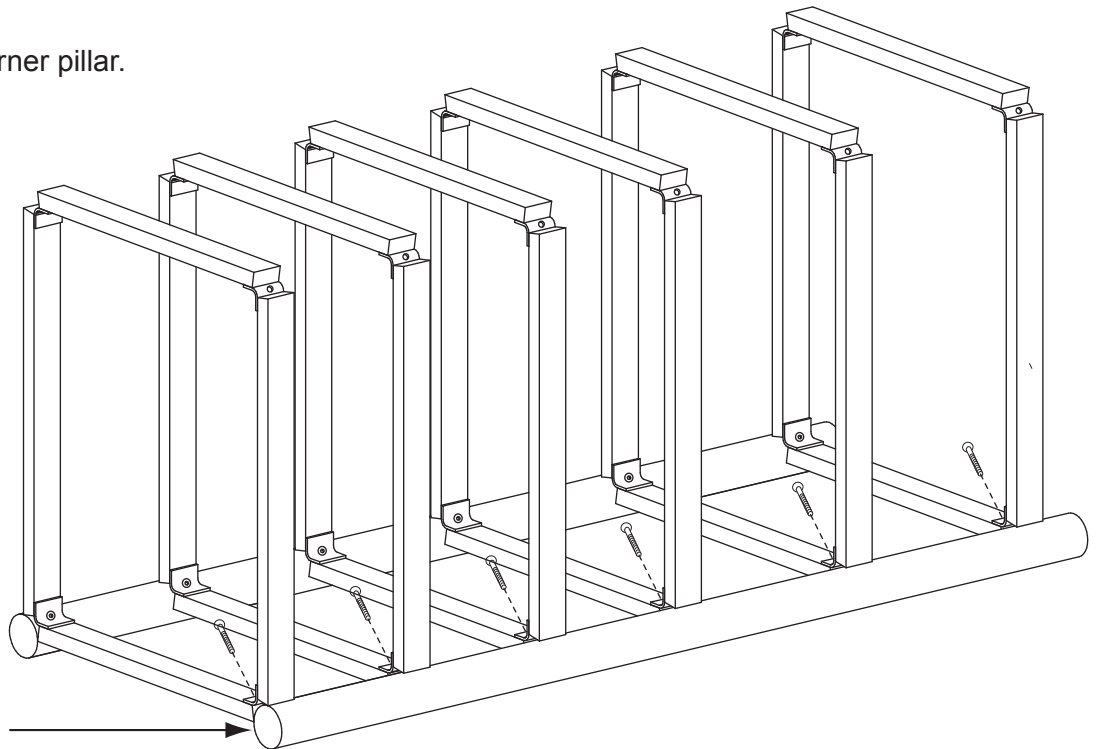
1. Lay one of the corner pillars on a soft surface and attach the metal shelf frames with 1 small gold bolt and washer per frame as shown here. Use care when tightening the bolt during this step. The bolt should be tight but not so tight it deforms the corner pillar.

Note that one end of all the pillars are to be flush with the shelf frame



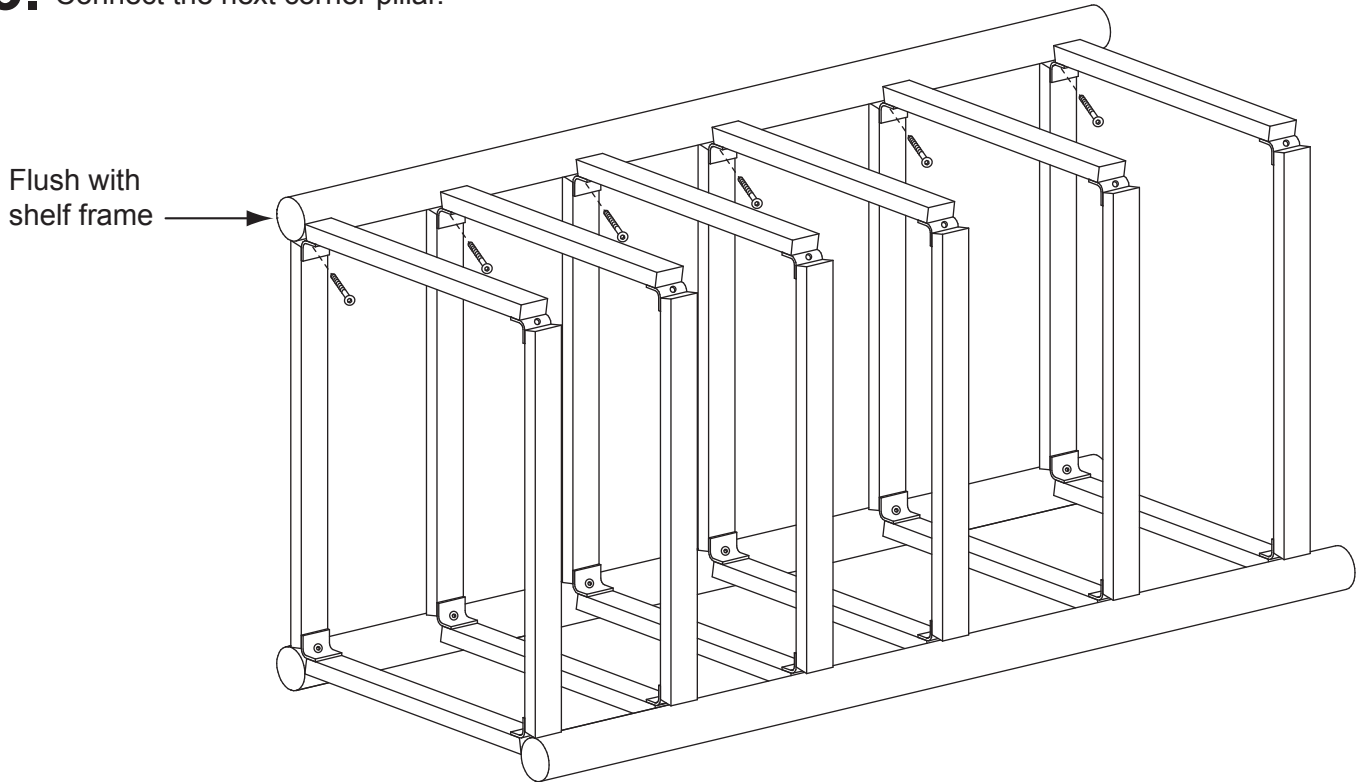
2. Connect the next corner pillar.

Flush with shelf frame

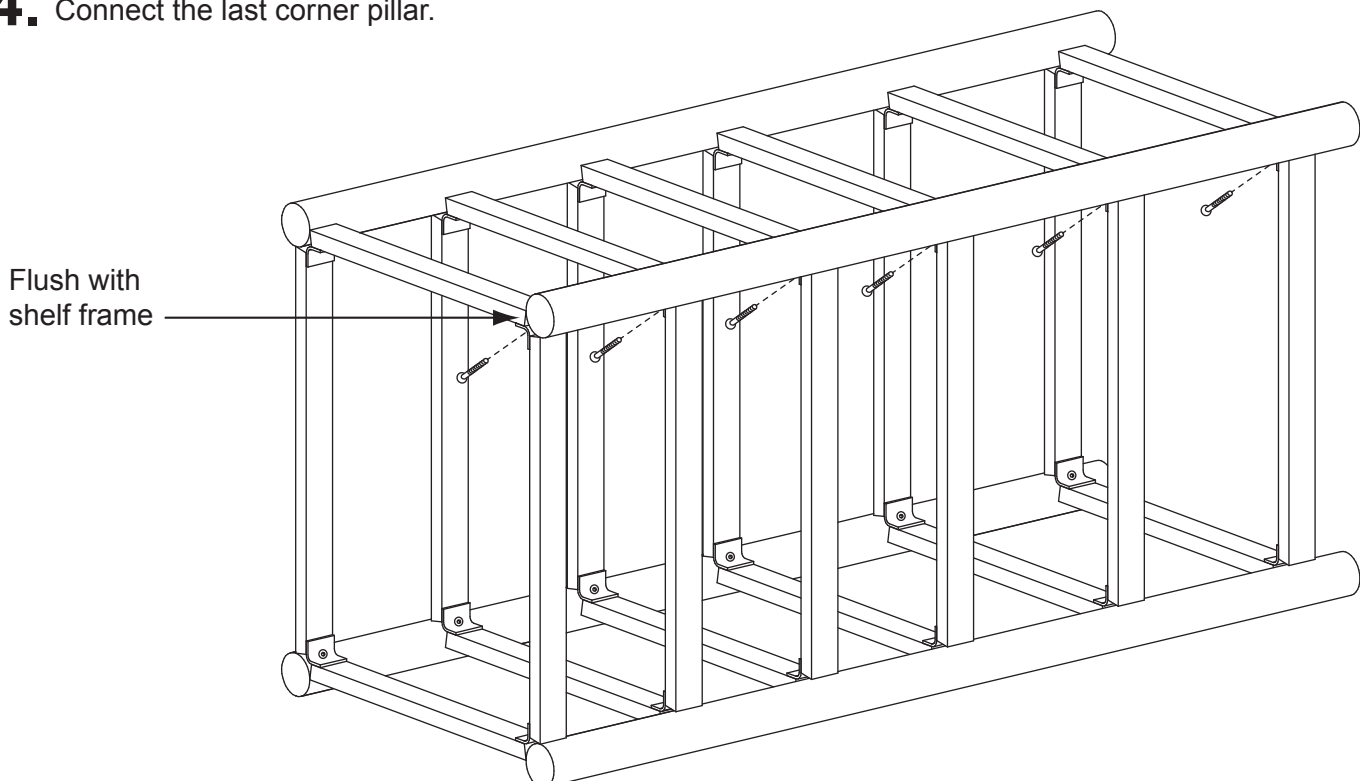


Assembly Instructions

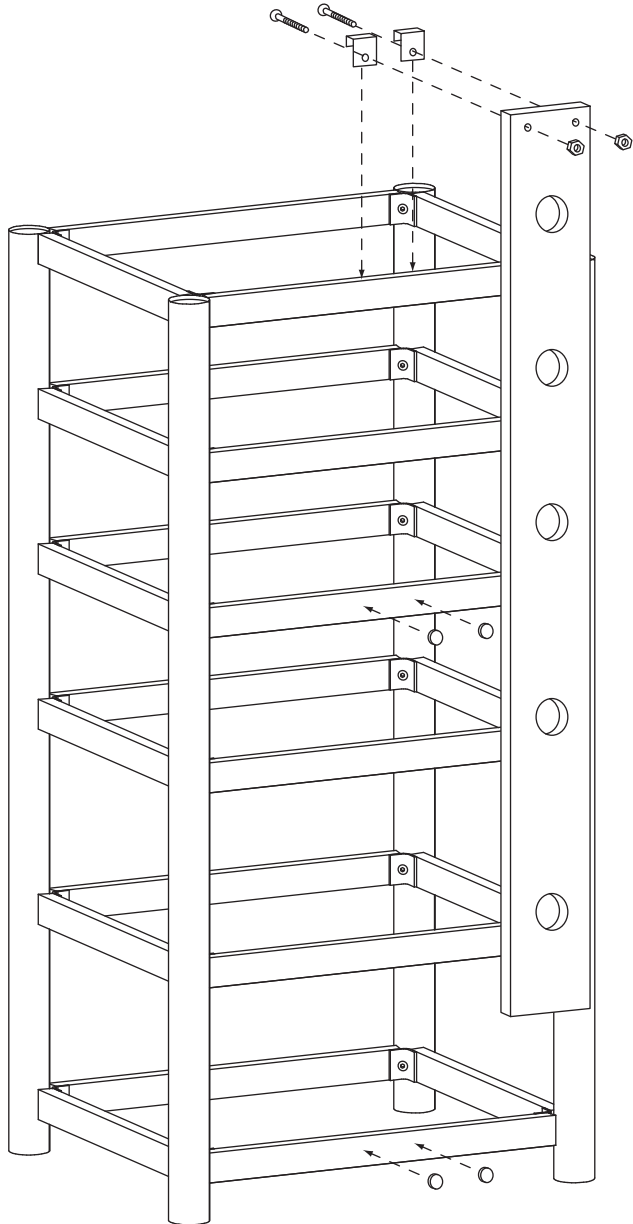
- 3.** Connect the next corner pillar.



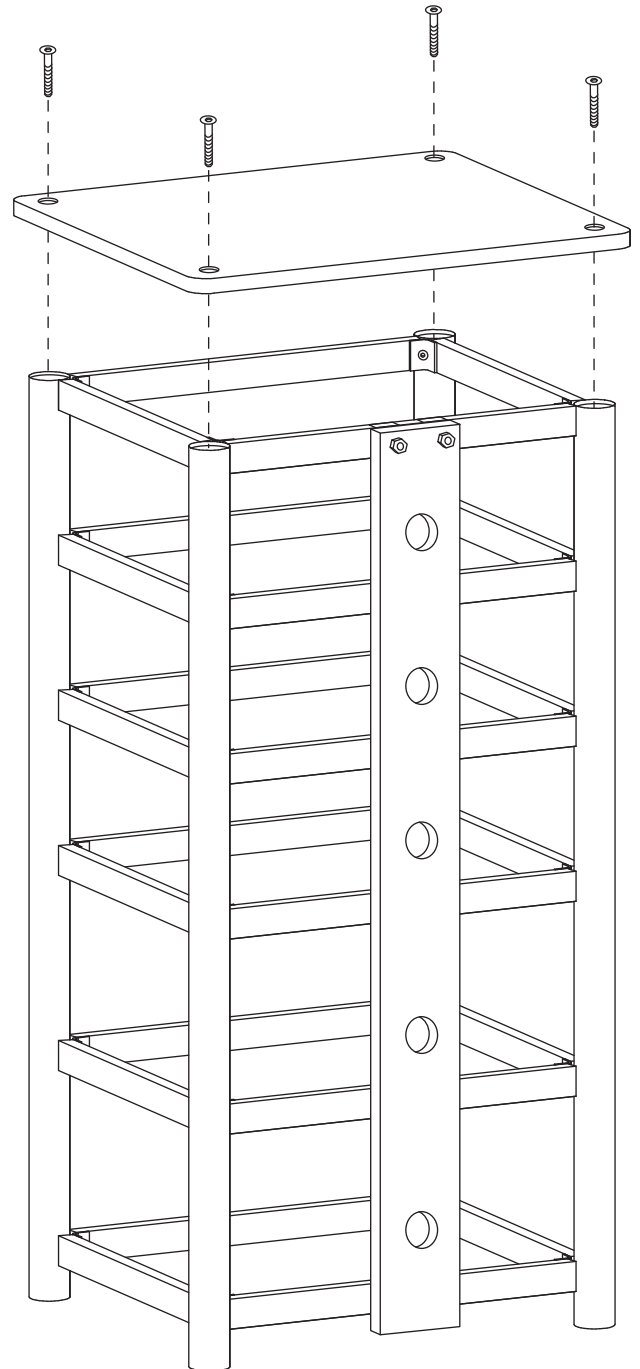
- 4.** Connect the last corner pillar.



Assembly Instructions

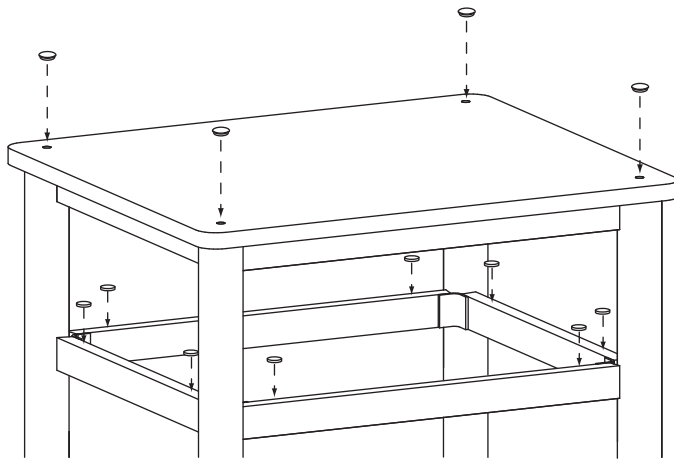


- 5.** Turn the unit right side up and construct the wire management back panel with its metal clips and install rubber bumpers on each frame as shown here. Then simply slip the wire management back panel over the top frame as shown and attach rubber bumpers to the frames as shown here where the back panel touches.



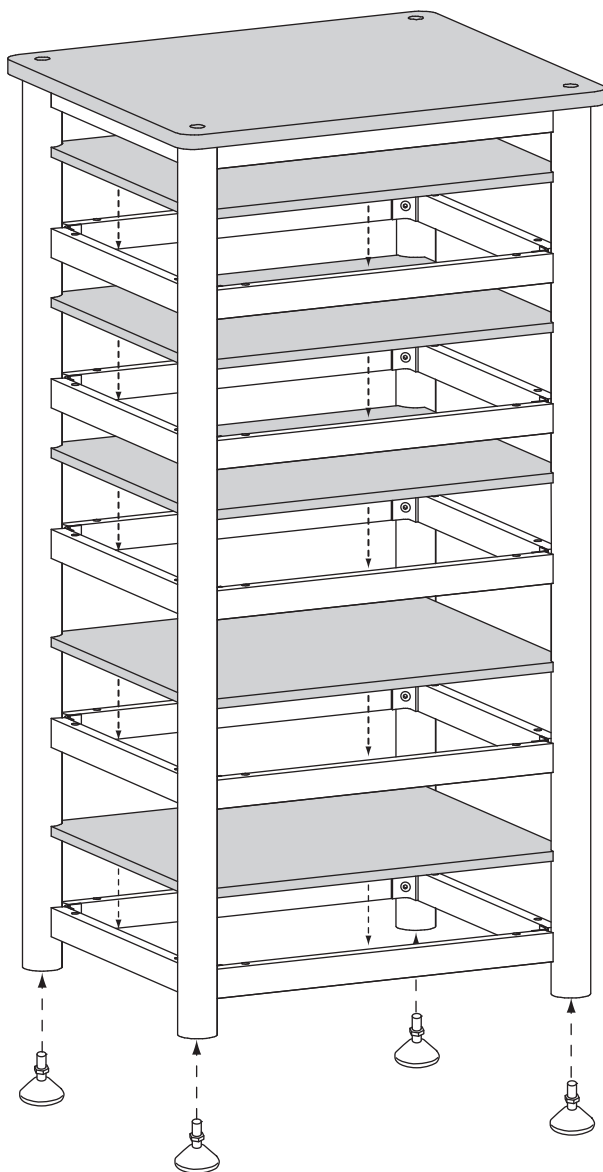
- 6.** Attach the top shelf with large gold bolts and washers as shown here.

Assembly Instructions



7. Cover the bolt heads with the plastic caps provided. Use care should you need to remove this plastic cap. Then put rubber shelf bumpers on each metal shelf frame as shown here.

8. Slip each wood shelf (shown here in grey) in place and lower onto the metal frame. Start this step by putting the shelf into the opening at an angle and then turning the shelf level and lowering it into place. Note that the wood shelf may rub slightly on the corner posts as you lower them into place. This is normal as the fit of the wood shelves is tight. Then insert the feet into the bottom holes of the corner pillars. The feet can be the vinyl glide protectors, brass carpet spikes or optional rolling casters.



Notes: We recommend that you recycle all packaging materials whenever possible. Keep children and pets away from the area you are assembling the rack until assembly is complete and all packaging and parts are disposed of properly. We recommend that you put heavier equipment such as amps on the lowest shelf possible for better stability.

Should you have questions or require further assistance, please contact us at 1-800-887-8834 from 8am-5pm Pacific Standard Time.

PART LISTS

- 1 □ Back panel
- 4 □ Brass feet - *Bag no. 402*
- 4 □ Carpet spikes - *Bag no. 622*
- 40 □ Foam pads (1 adhesive side) - *Bag no. 437*
- 4 □ Foam pads (2 adhesive sides) - *Bag no. 492*
- 4 □ Large top shelf bolts with Alan key
 - - *Bag no. 552*
- 2 □ Metal clips for back panel - *Bag no. 492*
- 4 □ Metal corner pillars
- 6 □ Metal shelf frames
- 4 □ Plastic caps for top shelf - *Bag no. 467*
- 2 □ Small black bolts with nuts for metal clips
 - - *Bag no. 492*
- 24 □ Small pillar bolts with Alan key
 - - *Bag no. 529*
- 4 □ Vinyl glides kit - *Bag no. 411*
- 5 □ Wood shelves
- 1 □ Wood top shelf