




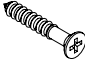
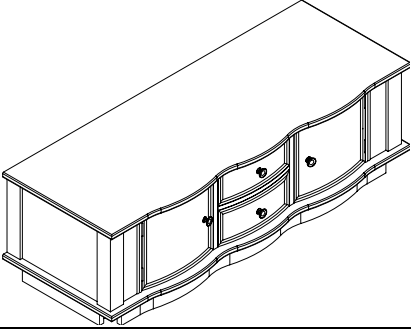
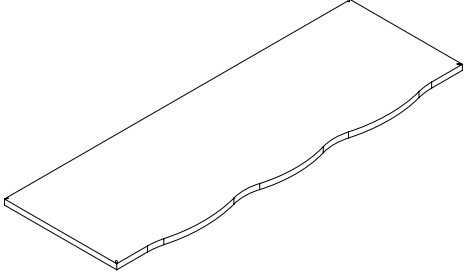
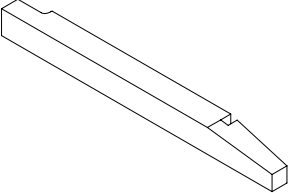
STYLE NO. OC9685

CURVED-FRONT CONSOLE TABLE

SOUTHERN ENTERPRISES INC.

RELAX...If you can follow a few easy, step-by-step directions in order .YOU CAN ASSEMBLE THIS ITEM.

PLEASE FIND HARDWARE IN RED POLYBAG BEFORE DISCARDING PACKING MATERIAL.

HARDWARE LIST			
(1) WASHERS	 8PCS	(3) WRENCH	 1PC
(2) MACHINE SCREWS	 8PCS	(4) WOOD SCREWS	 4PCS
PARTS LIST			
(A) TABLE TOP	 1PC	(C) SHELF	 1PC
(B) LEGS	 4PCS		

ASSEMBLY INSTRUCTION

1. SELECT A SMOOTH, SOFT SURFACE TO PREVENT SCRATCHING FINISH.
2. YOU MAY NEED A PHILLIP SCREWDRIVER.
3. PLACE THE TABLE TOP (A) UPSIDE DOWN. ATTACH THREE LEGS (B) TO THE BOTTOM CORNERS OF TABLE TOP (A). INSERT MACHINE SCREWS (2) THROUGH WASHERS (1), PREDRILLED HOLES ON BOTTOM CORNERS OF TABLE TOP (A) AND TIGHTEN INTO PRETHREADED HOLES ON LEGS (B) BY USING WRENCH (3), FIT SHELF (C) INTO THE SLOTS ON THREE LEGS (B) AND TIGHTEN WOOD SCREWS (4) THROUGH PREDRILLED HOLES ON SHELF (C) INTO CORRESPONDING HOLES ON LEGS (B). ASSEMBLE THE LAST LEG (B) IN SAME MANNER. AS SHOWN IN FIGURE 1
4. STAND THE CONSOLE TABLE UPRIGHT.

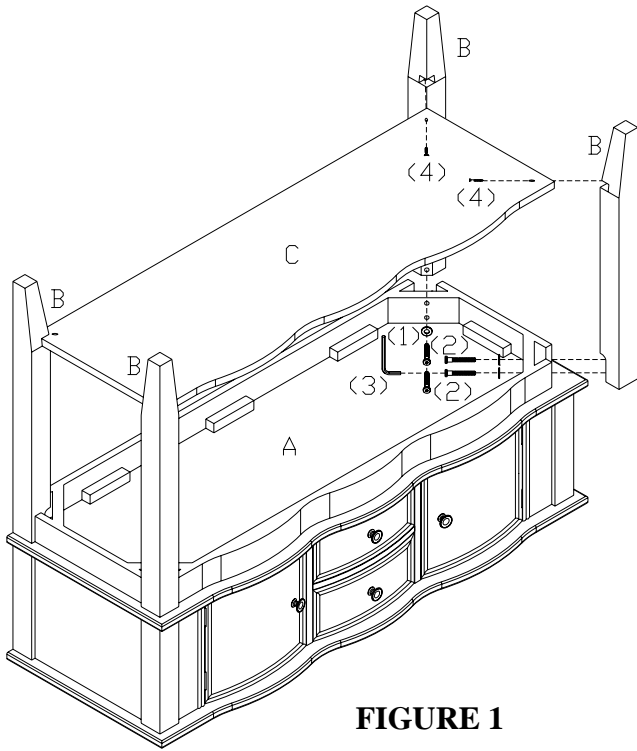
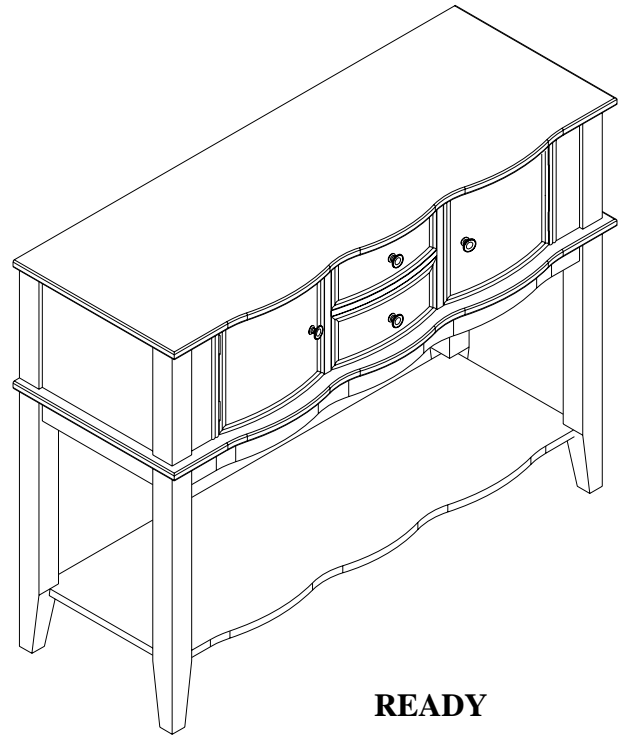


FIGURE 1



READY

YOUR NEW CURVED-FRONT CONSOLE TABLE IS FINISHED AND READY TO USE.

Please count, identify and compare parts and hardware list to be sure all parts are present. It may help to divide parts and label them to correspond with part list. Extra hardware may be included. If any items are missing, please contact our parts/service department at (800) 633-5096 or in Dallas (972) 869-0111/ 9am – 4pm Mon-Fri Central time. Missing or damaged hardware and/ or parts will be replaced free of charge. WE DO NOT SELL PARTS. WE DO NOT RECOMMEND MODIFYING PRODUCT(S) AND WE ARE NOT RESPONSIBLE FOR ANY DAMAGES DUE TO PRODUCT MODIFICATION(S). If this product has not been purchased from our retail affiliates (within 9 months), we are under no obligation to provide parts or replacement merchandise. Parts will not be available for items arriving fully assembled.

"We will ship parts if available" "This is not a warranty"

PARTS REPLACEMENT FORM

STYLE NO: **OC9685**

Customer Name _____

PARTS
LETTER

PART
DESCRIPTION

QUANTITY
NEEDED

Street, City, State, Zip _____

Phone# _____



SOUTHERN ENTERPRISES INC.
P.O. Box 59996 Dallas, Texas 75229

Please indicate where you purchased this item.
Store/website/catalog

Please indicate color/size/style number

/ /