

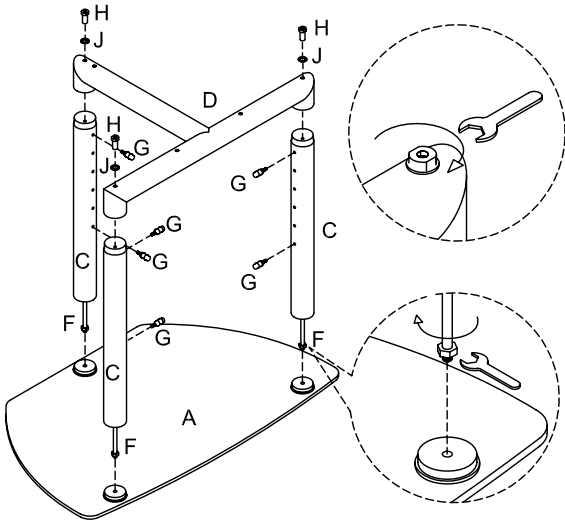


SOUTHERN ENTERPRISES INC.

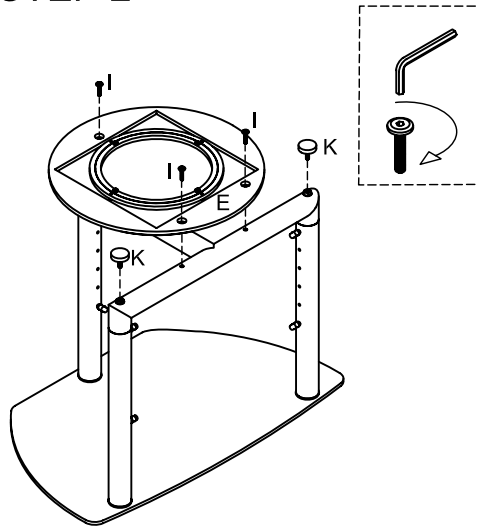
SEI# MS979500TX

Contemporary TV Stand W/Frosted Glass Top
(ASSEMBLY INSTRUCTIONS)

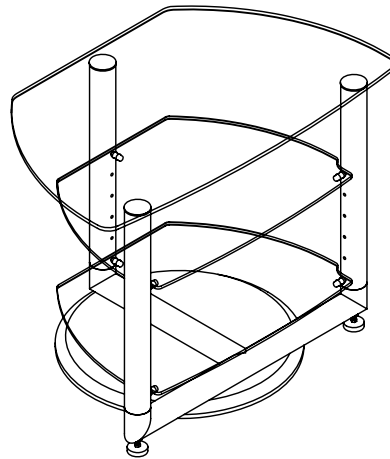
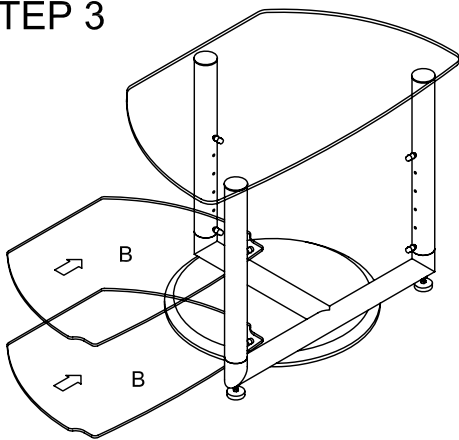
STEP 1



STEP 2



STEP 3



COMPLETE UNIT

NO.	DESCRIPTION	Q'TY
A		1
B		2
C		3
D		1
E		1
F		3
G		6
H		3
I		3
J		3
K		2
L		1
M		1

Please count, identify and compare parts and hardware list to be sure all parts are present. It may help to divide parts and label them to correspond with part list. Extra hardware may be included. If any items are missing, please contact our parts/service department at (800) 633-5096 or in Dallas (972) 869-0111/ 9am - 4pm Mon-Fri Central time. Missing or damaged hardware and/ or parts will be replaced free of charge. WE DO NOT SELL PARTS. WE DO NOT RECOMMEND MODIFYING PRODUCT(S) AND WE ARE NOT RESPONSIBLE FOR ANY DAMAGES DUE TO PRODUCT MODIFICATION(S). If this product has not been purchased from our retail affiliates (within 9 months), we are under no obligation to provide parts or replacement merchandise. Parts will not be available for items arrived fully assembled. We will ship parts if available. This is not a warranty.

PARTS REPLACEMENT FORM

Style No. MS979500TX

Customers Name

Street, City, State, Zip

Phone#

PARTS

LETTER

PART

DESCRIPTION

QUANTITY

NEEDED

Please indicate where you purchased this item.
Store/ website/ catalog

Please indicate /color/ size/style number.



SOUTHERN ENTERPRISES INC
P.O.Box59996 Dallas, Texas 75229