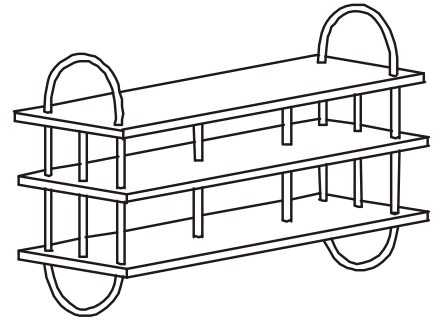


Style No. MS015900TX


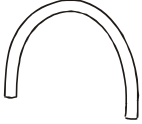

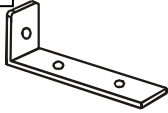
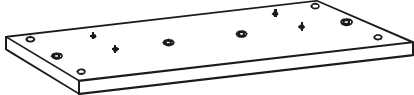
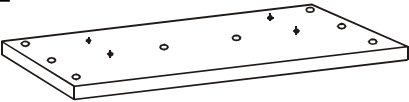
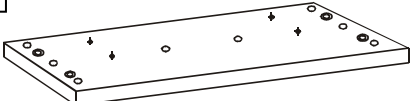
OVAL WALL MOUNT MEDIA SHELF



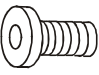
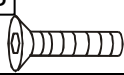
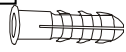



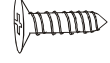


RELAX...if you can follow a few easy,step-by step directions in order, YOU CAN ASSEMBLE THIS ITEM.



PARTS LIST

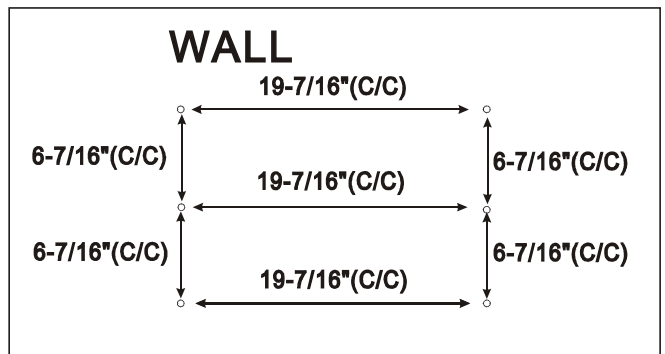
1 	2 	3 	4 	5 
BOTTOM OVAL TUBE 2 PC	TOP OVAL TUBE 2 PC	SHORT TUBE 16 PCS	"L" BRACKET 6 PCS	TOP SHELF 1 PC
6 		7 		
MIDDLE SHELF 1 PC		BOTTOM SHELF 1 PC		

HARDWARE LIST

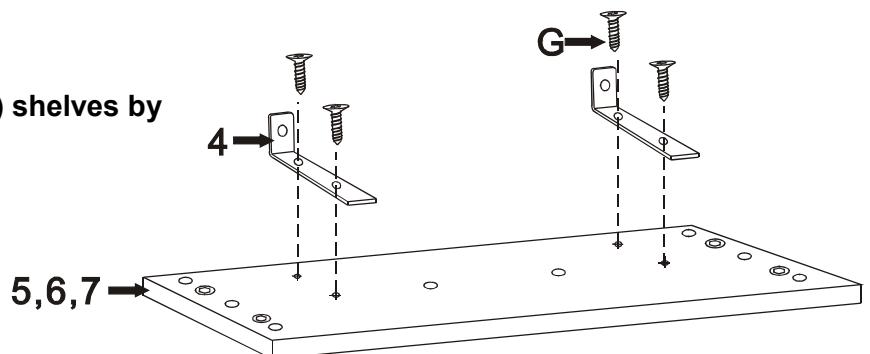
A 	B 	C 	D 	E 	F 	G 	H 	I 
SCREW 1/4"x 3/8" 4PCS	SCREW 1/4"x 7/8" 8PCS	PLASTIC WALL ANCHOR 6PCS	SCREW 1-1/4" 6PCS	SCREW 1/4" x1-1/2"mm 12PCS	SCREW 1/4"X 1" 4PCS	SCREW 1/2" 12PCS	WASHER 4PCS	WRENCH 1PC

*** DO not tighten screws & bolts until the entire unit is completely assembled.**

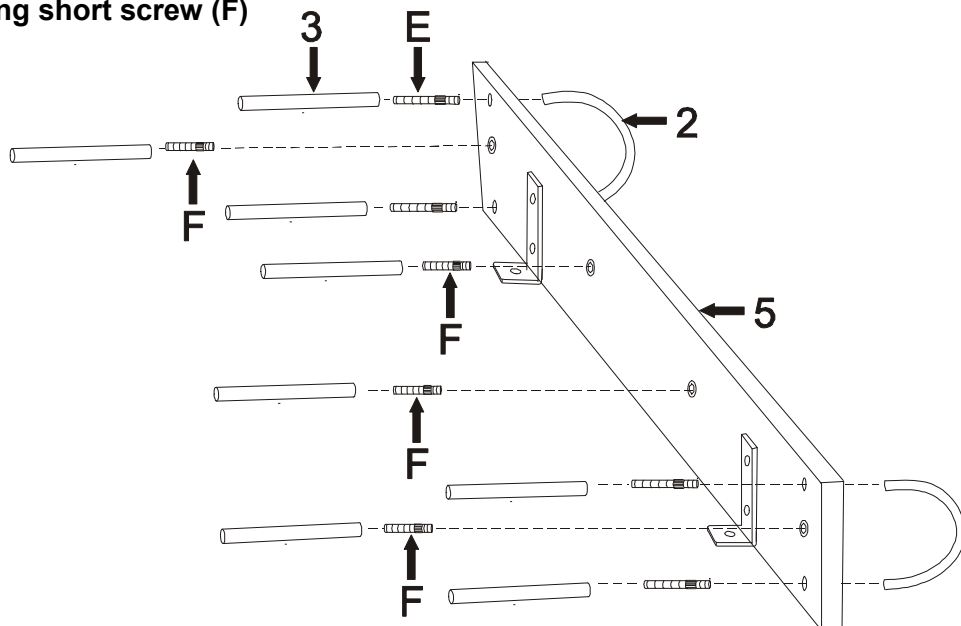
1/ Drill holes on the wall as shown.



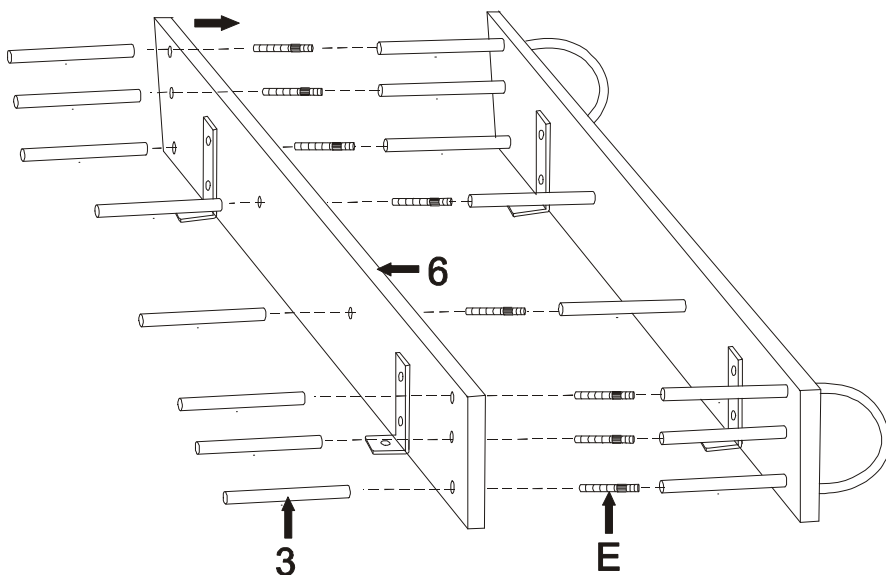
2/ Attach (4) "L" bracket to the (5), (6), (7) shelves by using screw (G) as shown.



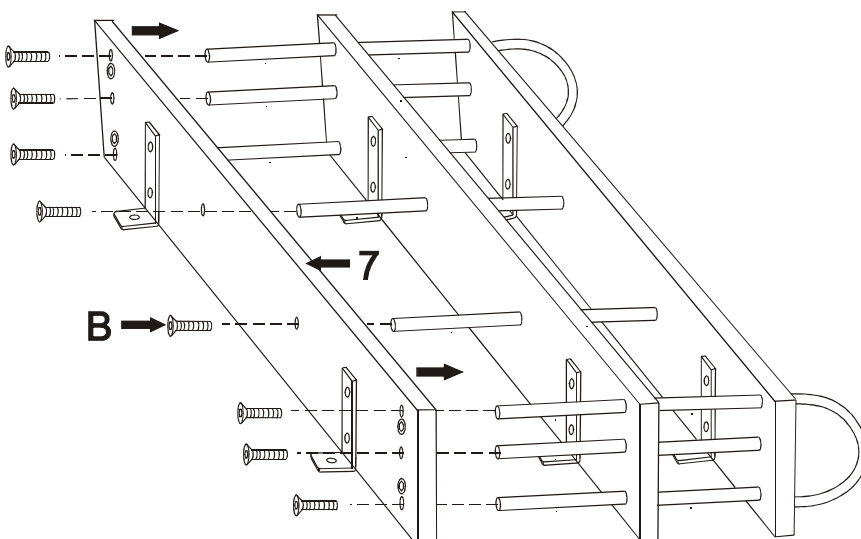
3/ Attach (2) top oval tube & (3) short tube to (5) top shelf by using long screw (E) as shown, then attach the other short tube (3) to (5) top shelf by using short screw (F) as shown.



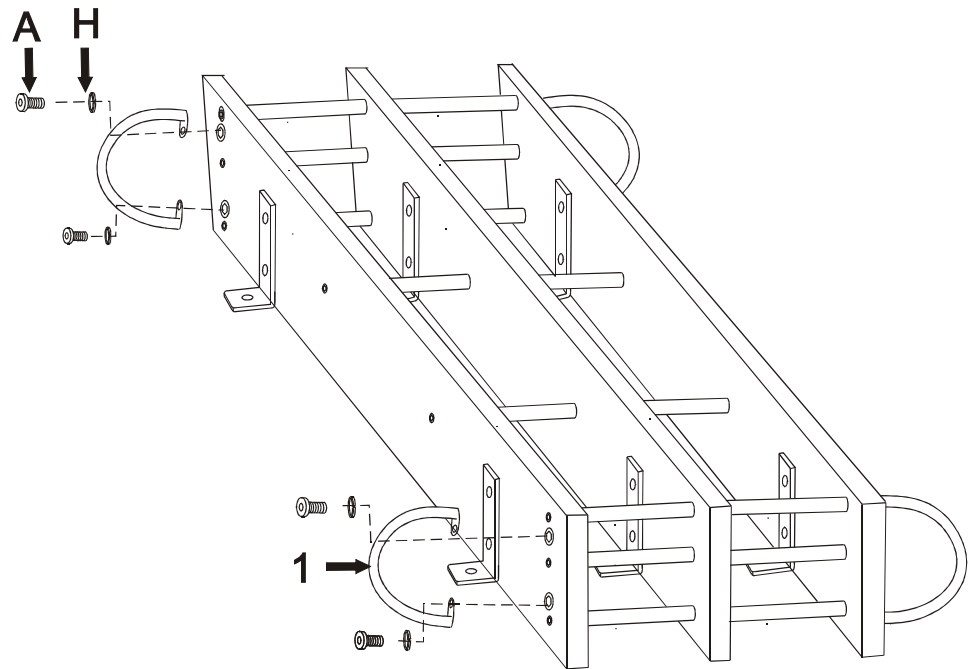
4/ Attach (6) middle shelf and (3) short tube by using long screw (E) as shown.



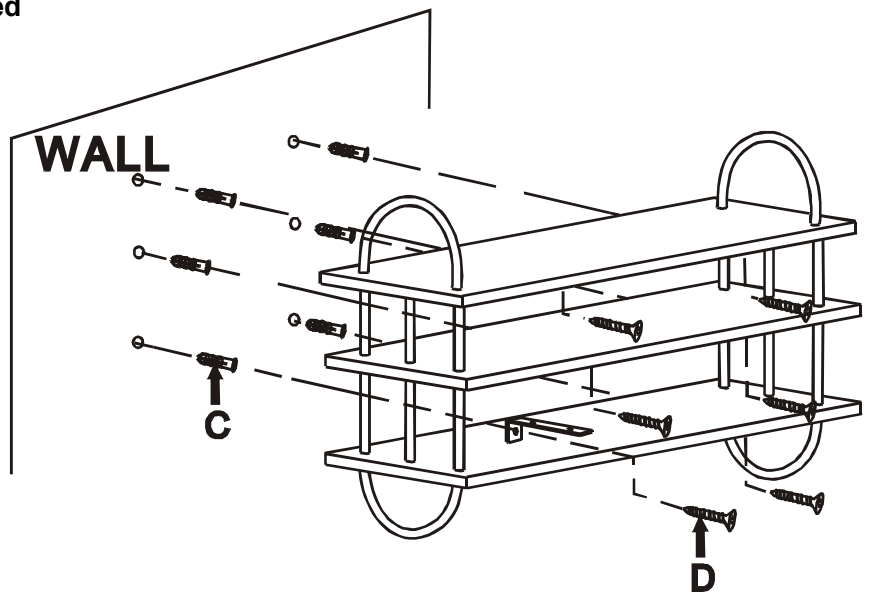
5/ Attach (7) bottom shelf by using screw (B) as shown.



6/ Attach (1) bottom oval tube by using screw (A) & washer (H) as shown.



7/ Insert plastic anchors (C) into the holes of wall as shown.(When doing this, you will need a hammer help you). Then fixing the complete unit on the wall by using screw (D) as shown.



YOUR OVAL WALL MOUNT MEDIA SHELF IS FINISHED AND READY TO USE.

THIS PRODUCT IS NOT INTENDED FOR COMMERCIAL USE

SOUTHERN ENTERPRISES, INC
P.O. Box 59996 Dallas, Texas 75229

Please count, identify and compare parts and hardware list to be sure all parts are present. It may help to divide parts and label them to correspond with part list. Extra hardware may be included. If any items are missing, please contact our parts/service department at (800) 633-5096 or in Dallas (972) 869-0111/ 9am - 4pm Mon-Fri Central time. Missing or damaged hardware and / or parts will be replaced free of charge. WE DO NOT SELL PARTS. WE DO NOT RECOMMEND MODIFYING PRODUCT(S) AND WE ARE NOT RESPONSIBLE FOR ANY DAMAGES DUE TO PRODUCT MODIFICATION(S). If this product has not been purchased from our retail affiliates (within 9 months), we are under no obligation to provide parts or replacement merchandise. Parts will not be available for items arrived fully assemble.

“We will ship parts if available” “This is not a warranty”

PARTS REPLACEMENT FORM

STYLE NO: MS015900TX

Customer Name _____

PARTS
LETTER

PARTS
DESCRIPTION

QUANTITY
NEEDED

Street, City, State, Zip

Phone# _____



SOUTHERN ENTERPRISES INC..
P.O. Box 59996 Dallas, Texas 75229

Please indicate where you purchased this item.
Store/website/catalog

Please indicate color/ size/ style number.
