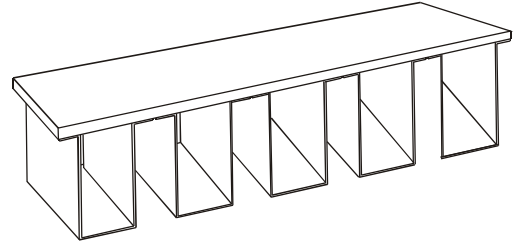


Style No. MS015800TX
SHEET METAL WALL- MOUNT MEDIA SHELF



RELAX...if you can follow a few easy,step-by step directions in order, YOU CAN ASSEMBLE THIS ITEM.



PARTS LIST

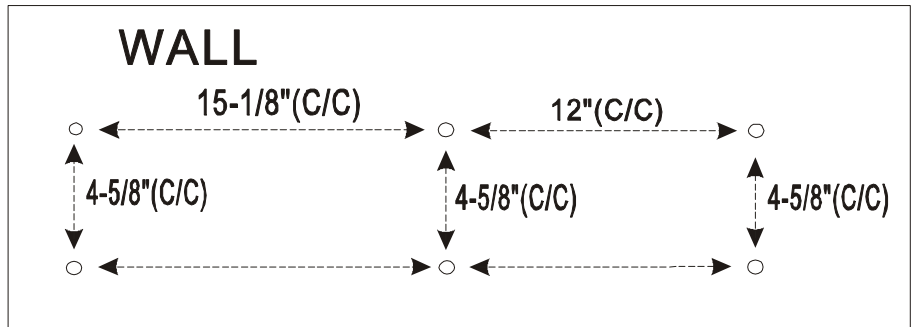
1		2		3		4	
	RIGHT FRAME 1PC		LEFT FRAME 2PCS		CENTRAL FRAME 2PC		TOP SHELF 1PC

HARDWARE LIST

A		B		C	
	SCREW 3/8" 20PCS		SCREW 1-1/8" 6PCS		PLASTIC WALL ANCHOR 6PCS

*** DO not tighten screws & bolts until the entire unit is completely assembled.**

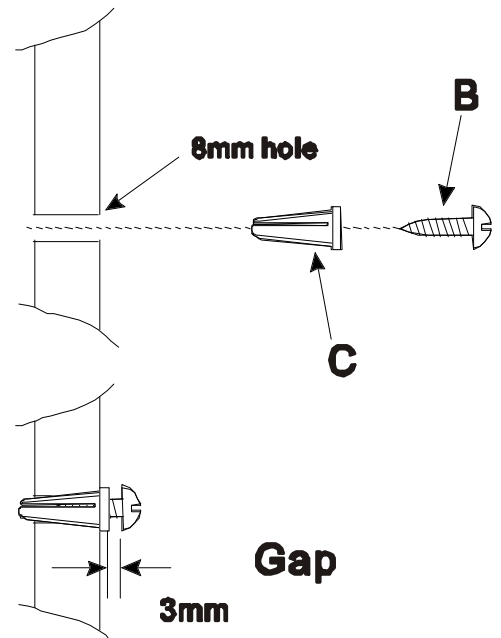
1/ Drill holes on the wall as shown.



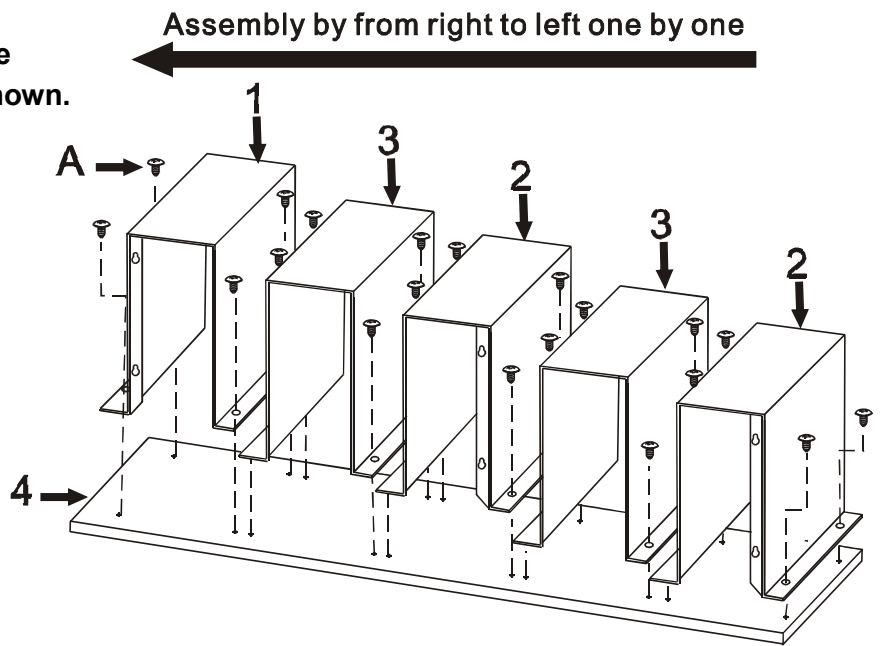
2) Insert plastic anchors (C) into the holes of wall as shown.

(When doing this, you will need a hammer help you).

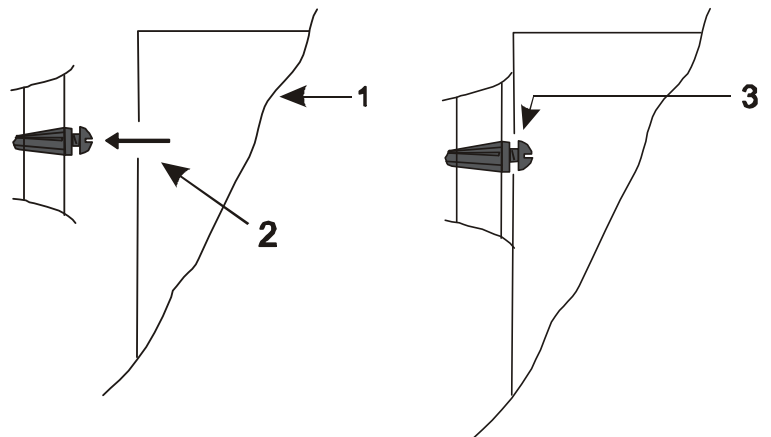
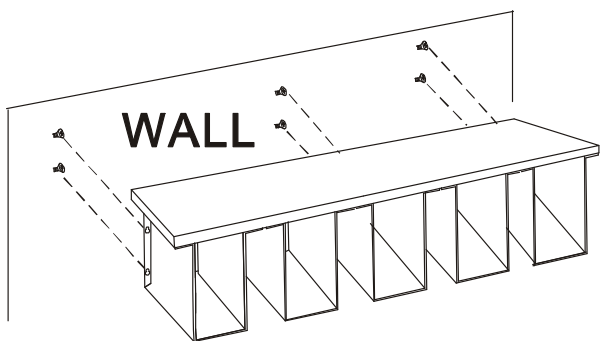
Using the phillip head screwdriver, install screw (B) into each of the anchors (C). Turn the screw (B) in until there is a gap of 3mm between the head of the screw and the wall as shown.



3 / Attach (1) right frame, (2) left frame and (3) central frame to (4) top shelf one by one from right to left by using screw (A) as shown.



4 / Install the unit onto the screw (B) and secure the top edge of bracket hole is resting securely on the mounting screw (B) as below 1, 2, 3 shown.



YOUR SHEET METAL WALL- MOUNT MEDIA SHELF IS FINISHED AND READY TO USE.

SOUTHERN ENTERPRISES, INC
P.O. Box 59996 Dallas, Texas 75229

THIS PRODUCT IS NOT INTENDED FOR COMMERCIAL USE

Please count, identify and compare parts and hardware list to be sure all parts are present. It may help to divide parts and label them to correspond with part list. Extra hardware may be included. If any items are missing, please contact our parts/service department at (800) 633-5096 or in Dallas (972) 869-0111/ 9am - 4pm Mon-Fri Central time. Missing or damaged hardware and / or parts will be replaced free of charge. WE DO NOT SELL PARTS. WE DO NOT RECOMMEND MODIFYING PRODUCT(S) AND WE ARE NOT RESPONSIBLE FOR ANY DAMAGES DUE TO PRODUCT MODIFICATION(S). If this product has not been purchased from our retail affiliates (within 9 months), we are under no obligation to provide parts or replacement merchandise. Parts will not be available for items arrived fully assemble.

"We will ship parts if available" "This is not a warranty"

PARTS REPLACEMENT FORM

STYLE NO: MS00158TX

Customer Name

PARTS
LETTER

PARTS
DESCRIPTION

QUANTITY
NEEDED

Stree, City, State, Zip

Phone#



SOUTHERN ENTERPRISES INC..
P.O. Box 59996 Dallas, Texas 75229

Please indicate where you purchased this item.
Store/website/catalog

/ /
Please indicate color/ size/ style number.

/ /