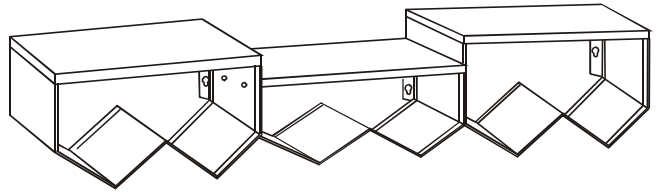


Style No. MS015700TX

ZIG ZAG WALL MOUNT MEDIA SHELF



RELAX...if you can follow a few easy, step-by step directions in order, YOU CAN ASSEMBLE THIS ITEM.



PARTS LIST

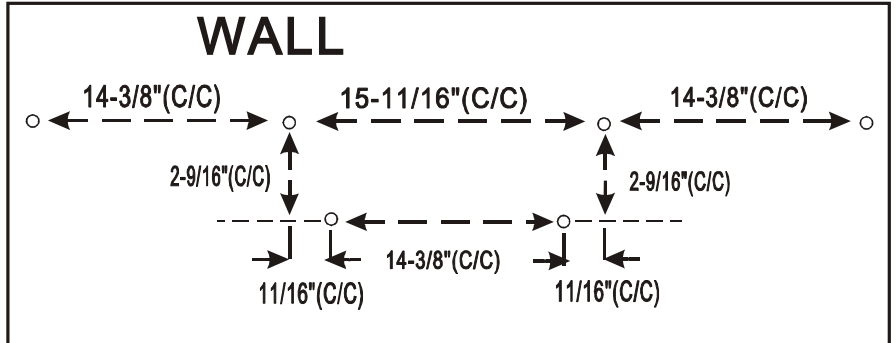
1	2	3	4	5
RIGHT FRAME 1PC	LEFT FRAME 1PC	CENTER FRAME 1PC	SIDE SHELF 2PC	CENTER SHELF 1PC

HARDWARE LIST

A	B	C	D	E	F
Screw 1/4"x3/8" 12PCS	Plastic Wall Anchor 6PCS	Screw 1-1/8" 6PCS	Screw 1/2" 4PCS	Washer 12PCS	Wrench 1PC

*** DO not tighten screws & bolts until the entire unit is completely assembled.**

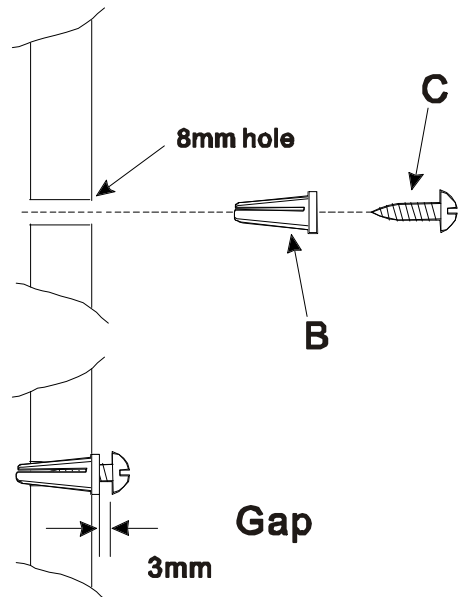
1/ Drill holes on wall as shown.



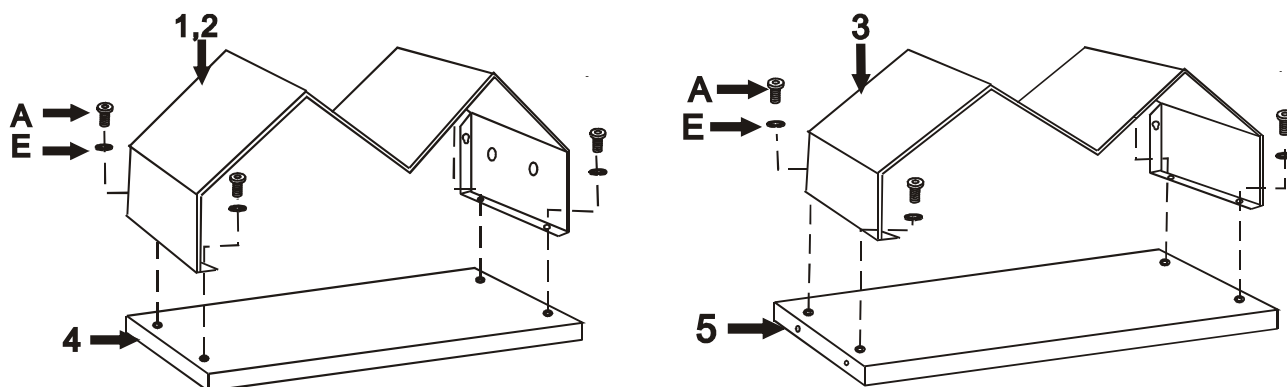
2/ Insert plastic anchors (C) into the holes of wall as shown.

(When doing this, you will need a hammer help you).

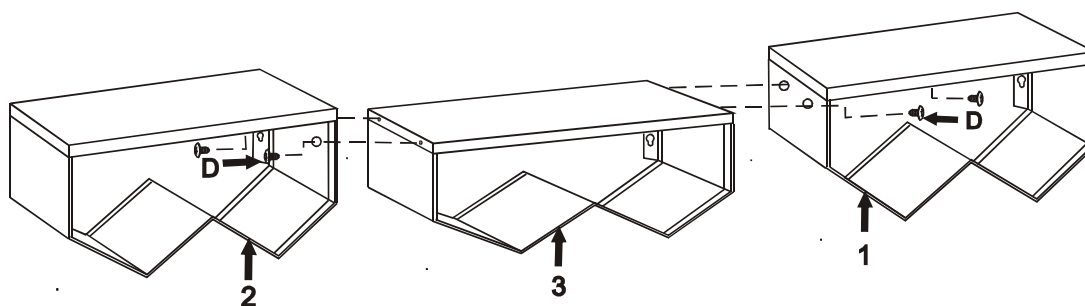
Using the phillip head screwdriver, install screw (B) into each of the anchors (C). Turn the screw (B) in until there is a gap of 3mm between the head of the screw and the wall as shown.



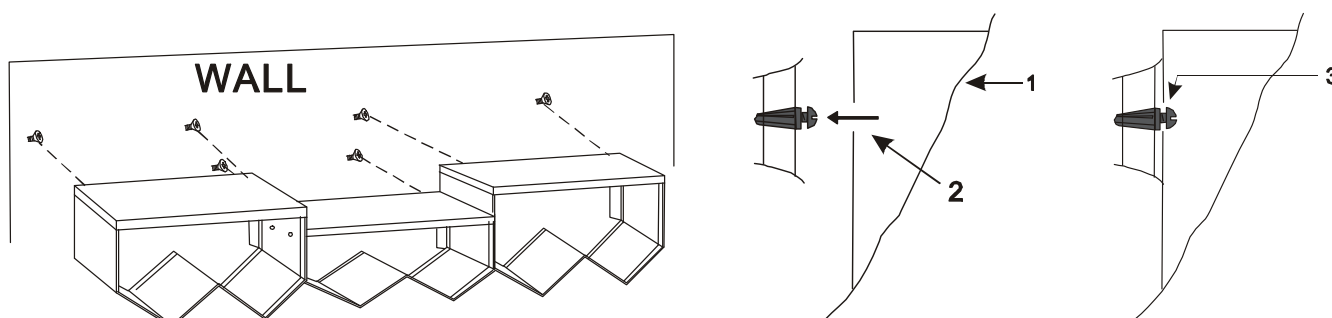
3 / Attach (1) right frame and (2) left frame to (4) side shelf by using screw (A) & washer (E) as shown. And attach (3) center frame to (5) center shelf by using screw (A) & washer (E) as shown.



4 / Combining below separate unit by using screw (D) as shown.



5 / Install the unit onto the screw (B) and secure the top edge of bracket hole is resting securely on the mounting screw (B) as below 1, 2, 3 shown



YOUR ZIG ZAG WALL MOUNT MEDIA SHELF IS FINISHED AND READY TO USE.

THIS PRODUCT IS NOT INTENDED FOR COMMERCIAL USE



SOUTHERN ENTERPRISES, INC
P.O. Box 59996 Dallas, Texas 75229

Please count, identify and compare parts and hardware list to be sure all parts are present. It may help to divide parts and label them to correspond with part list. Extra hardware may be included. If any items are missing, please contact our parts/service department at (800) 633-5096 or in Dallas (972) 869-0111/ 9am - 4pm Mon-Fri Central time. Missing or damaged hardware and / or parts will be replaced free of charge. WE DO NOT SELL PARTS. WE DO NOT RECOMMEND MODIFYING PRODUCT(S) AND WE ARE NOT RESPONSIBLE FOR ANY DAMAGES DUE TO PRODUCT MODIFICATION(S). If this product has not been purchased from our retail affiliates (within 9 months), we are under no obligation to provide parts or replacement merchandise. Parts will not be available for items arrived fully assembled.

“We will ship parts if available” “This is not a warranty”

PARTS REPLACEMENT FORM

STYLE NO: MS015700TX

Customer Name _____

PARTS
LETTER

PARTS
DESCRIPTION

QUANTITY
NEEDED

Street, City, State, Zip _____

Phone# _____



SOUTHERN ENTERPRISES INC..
P.O. Box 59996 Dallas, Texas 75229

Please indicate where you purchased this item.
Store/website/catalog

Please indicate color/ size/ style number.
