



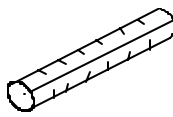



**SOUTHERN ENTERPRISES, INC.**

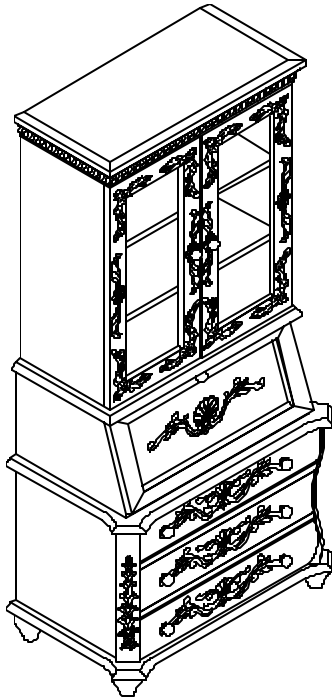
Relax...If you can follow a few easy,  
 step-by-step directions in order...  
 YOU CAN ASSEMBLE THIS ITEM.

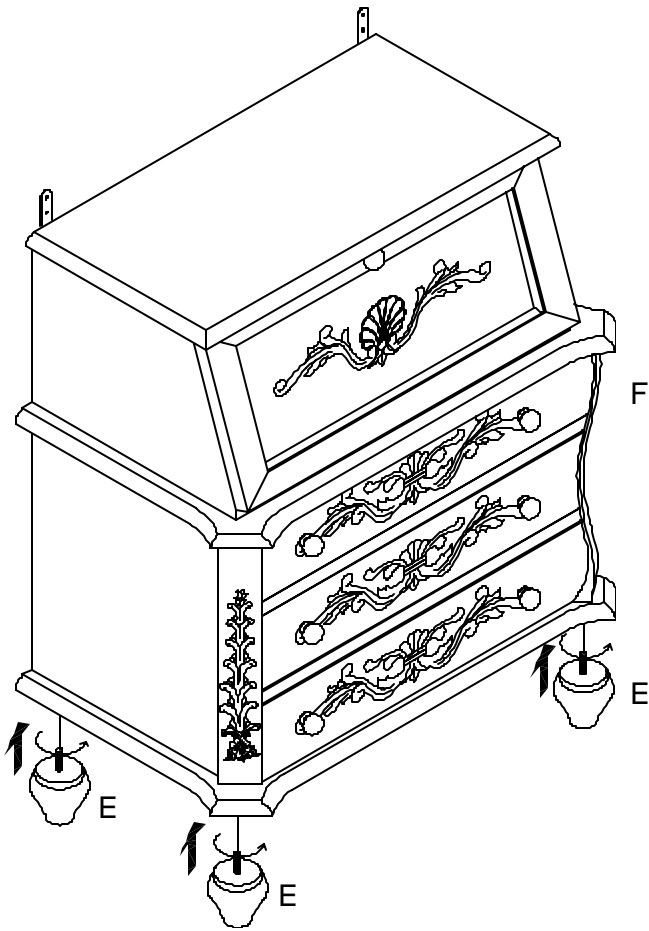
## ASSEMBLY INSTRUCTION

HO0429 CARVED DROP FRONT DESK

HO0430 CARVED GLASS DOOR HUTCH

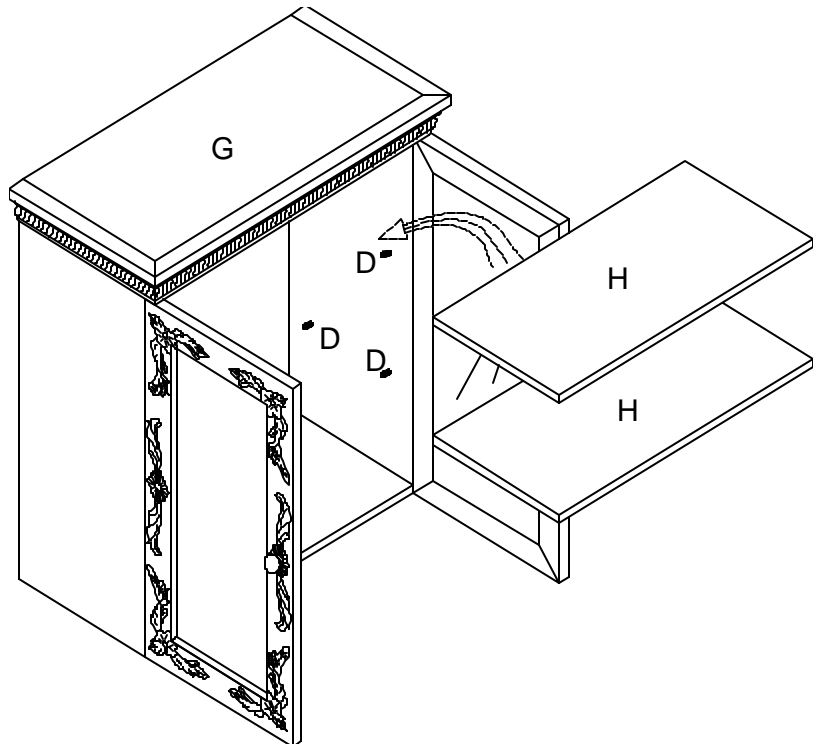
HARDWARE LIST							
No.	Description	Q'ty	Sketch	No.	Description	Q'ty	Sketch
A	WALL ANCHOR	2		C	SHORT SCREW	4	
B	LONG SCREW	2		D	SHELF SUPPORT	8	

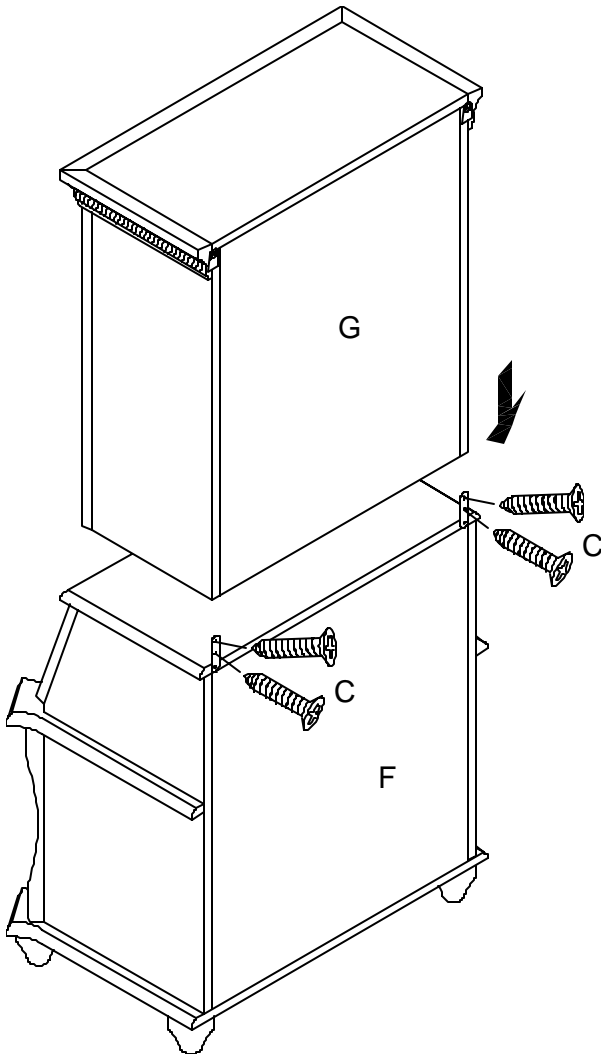
  




F Rotate the 4 Legs (E) into the bottom of the Lower Cabinet (F) as figure shown!

Insert the 8 SHELF SUPPORTS(D) into the pre-drilled holes on the UPPER CABINET (G), then put the 2 SHELF (H) onto the SHELF SUPPORTS (D).





Put the unit assembled on step 2 to the unit assembled on step 2, then connect them together with 4 SHORT SCREWS (C) by using screwdriver as figure shown.

You can also hang the UPPER CABINET (F) onto the wall with 2 WALL ANCHOR (A) & 2 LONG SCREWS (B) as figure shown!

