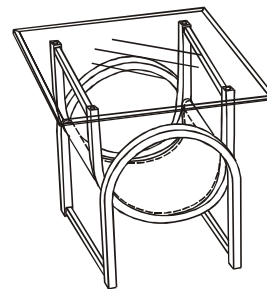


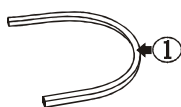
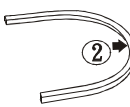




**Style No. CK996200TX
PREMIER END TABLE**



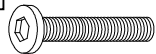
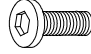



RELAX...if you can follow a few easy, step-by step directions in order, YOU CAN ASSEMBLE THIS ITEM.



PARTS LIST

1 	2 	3 	4 	5 	6 
Top stretcher 2 PCS	Bottom stretcher 2 PCS	PVC holder 1PC	Long stretcher 2PCS	Short stretcher 4PCS	Glass top 1PC

HARDWARE LIST

A 	B 	C 	D 	E 
1/4"x44mm 4 PCS	1/4"x15mm 8 PCS	1/4"x1.5mm 12 PCS	Glass pad 4 PCS	Wrench 1 PC

Please count, identify and compare parts and hardware list to be sure all parts are present. It may help to divide parts and label them to correspond with part list. Extra hardware may be included. If any items are missing, please contact our parts/service department at (800) 633-5096 or in Dallas (972) 869-0111/9am - 4pm Mon-Fri Central time. Missing or damaged hardware and / or parts will be replaced free of charge. WE DO NOT SELL PARTS. WE DO NOT RECOMMEND MODIFYING PRODUCT(S) AND WE ARE NOT RESPONSIBLE FOR ANY DAMAGES DUE TO PRODUCT MODIFICATION(S). If this product has not been purchased from our retail affiliates (within 9 months), we are under no obligation to provide parts or replacement merchandise. Parts will not be available for items arrived fully assemble.

"We will ship parts if available" "This is not a warranty"

PARTS REPLACEMENT FORM

STYLE NO: CK996200TX

Customer Name _____

PARTS
LETTER

PARTS
DESCRIPTION

QUANTITY
NEEDED

Stree.City.State.Zip _____

Phone# _____



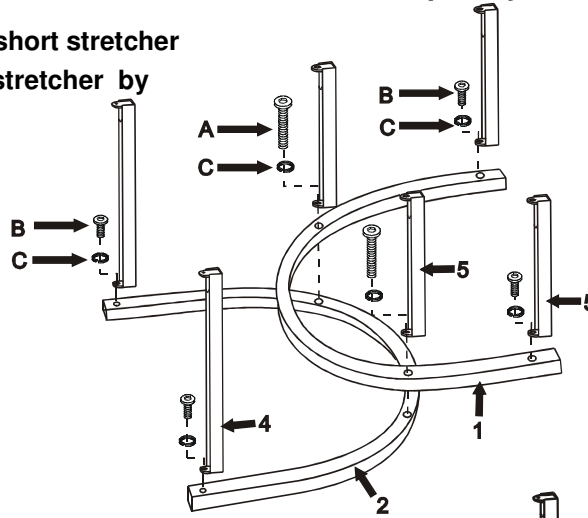
SOUTHERN ENTERPRISES INC..
P.O. Box 59996 Dallas, Texas 75229

Please indicate where you purchased this item.
Store/website/catalog

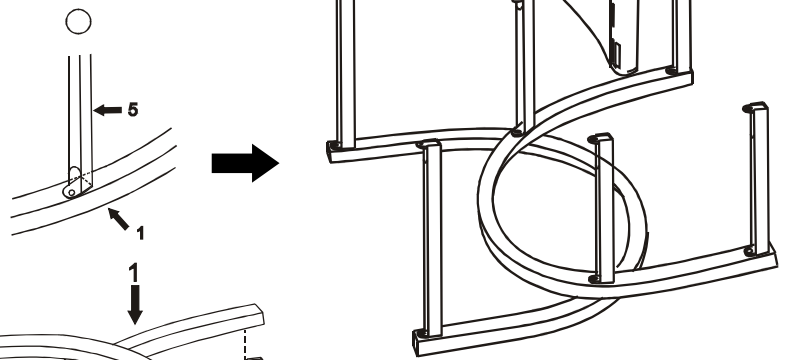
Please indicate color/ size/ style number.

*** DO not tighten screws & bolts until the entire unit is completely assembled.**

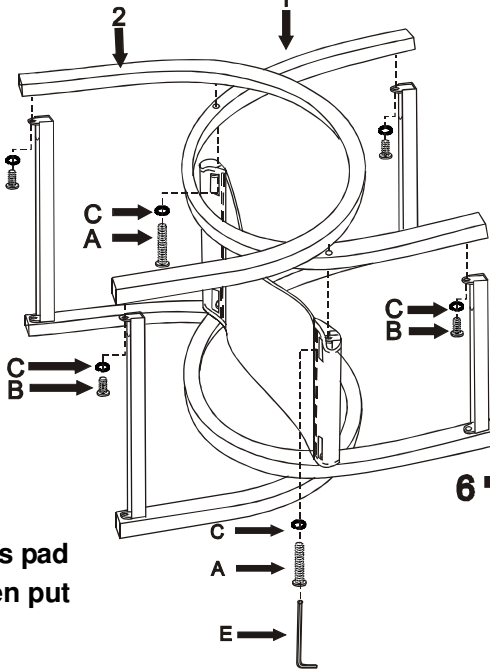
1 / Attach (4) long stretcher & (5) short stretcher to (1) top stretcher & (2) bottom stretcher by using (A), (B) and (C) as shown.



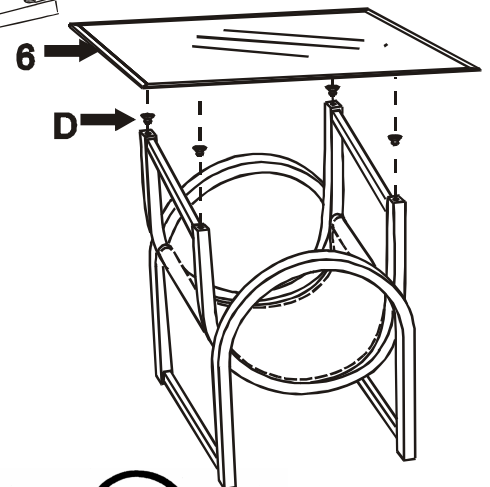
2 / Pay attention: Make sure (5) short stretcher is correctly fixed within (1) top stretcher as illustration, then insert (3) PVC holder through (5) short stretcher as shown.



3 / Assemble (1) top stretcher & (2) bottom stretcher by using (A), (B), (C) and (E) wrench as shown.



4 / Turn the unit up and put (D) glass pad onto the top stretcher as shown, then put on (6) glass top.



YOUR NEW PREMIER END TABLE IS FINISHED AND READY TO USE.



SOUTHERN ENTERPRISES, INC
P.O. Box 59996 Dallas, Texas 75229

THIS PRODUCT IS NOT INTENDED FOR COMMERCIAL USE