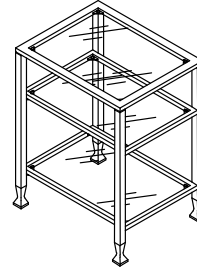


Style No. CK877200TX
METAL END TABLE



RELAX...if you can follow a few easy, step-by-step directions in order, YOU CAN ASSEMBLE THIS ITEM.



PARTS LIST

1	2	3	4	5	6
TOP FRAME 1PC	RIGHT LEG 2PCS	LEFT LEG 2PCS	SHELF FRAME 2PCS	TOP GLASS 1PC	GLASS SHELF 2PCS

HARDWARE LIST

A	B	C	D	E
Screw 1/4"x13mm 16PCS	Lock Washer 1/4" 16PCS	Glass pad 12PCS	Foot pad 4PCS	Wrench 1PC

Please count, identify and compare parts and hardware list to be sure all parts are present. It may help to divide parts and label them to correspond with part list. Extra hardware may be included. If any items are missing, please contact our parts/service department at (800) 633-5096 or in Dallas (972) 869-0111/ 9am - 4pm Mon-Fri Central time. Missing or damaged hardware and / or parts will be replaced free of charge. WE DO NOT SELL PARTS. WE DO NOT RECOMMEND MODIFYING PRODUCT (S) AND WE ARE NOT RESPONSIBLE FOR ANY DAMAGES DUE TO PRODUCT MODIFICATION (S). If this product has not been purchased from our retail affiliates (within 9 months), we are under no obligation to provide parts or replacement merchandise. Parts will not be available for items arrived fully assemble.

"We will ship parts if available" "This is not a warranty"

PARTS REPLACEMENT FORM

STYLE NO: CK877200TX

Customer Name _____

PARTS
LETTER

PARTS
DESCRIPTION

QUANTITY
NEEDED

Street,City,State,Zip _____

Phone# _____



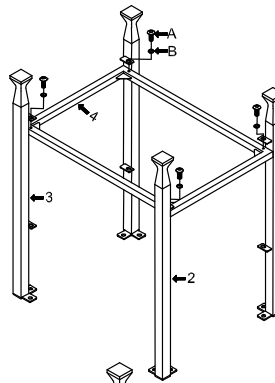
SOUTHERN ENTERPRISES INC..
P.O. Box 59996 Dallas, Texas 75229

Please indicate where you purchased this item.
Store/website/catalog

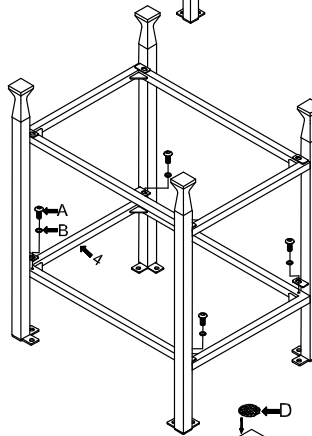
Please indicate color/ size/ style number.

*** DO not tighten screws & bolts until the entire unit is completely assembled.**

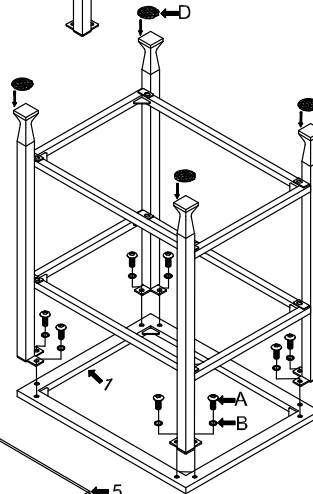
1. Using screw (A) & (B) to assemble shelf frame (4), right leg (2) and left leg (3) as shown.



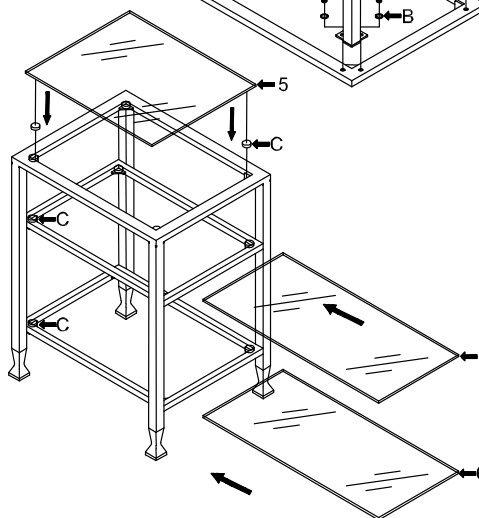
2. Likewise assemble second shelf frame (4) as shown.



3. Using screw (A) & (B) to assemble the top frame (1) and legs as shown then add the pad (D) onto the end of leg.



4. Turn the unit upside down, put the glass pads (C) on the frame, then put on (5) glass top and insert (6) glass shelf as shown.



**YOUR NEW METAL END TABLE IS FINISHED
AND READY TO USE.**



