



STYLE NO: BE868200TX
BAMBOO WALL CABINET

SOUTHERN ENTERPRISES INC.

RELAX...If you can follow a few easy, step-by-step directions in order .YOU CAN ASSEMBLE THIS ITEM.

PLEASE FIND HARDWARE IN RED POLYBAG BEFORE DISCARDING THE PACKING MATERIALS.

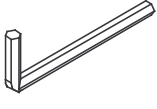
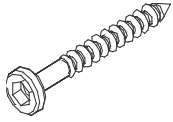

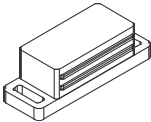
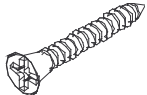
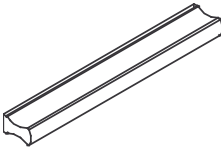
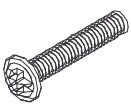
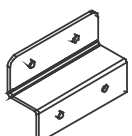
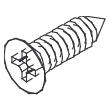
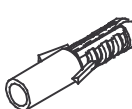
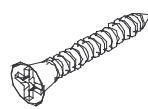
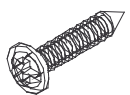
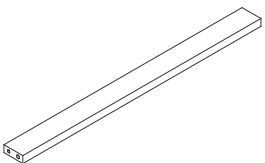
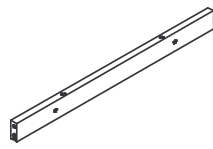
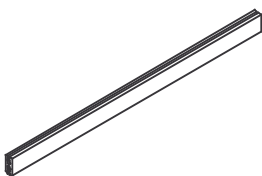
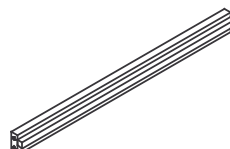
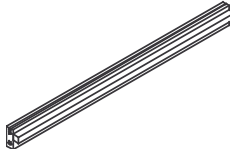
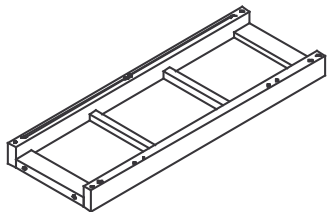
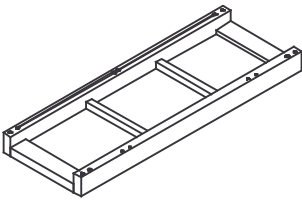
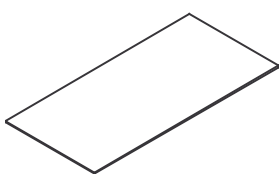
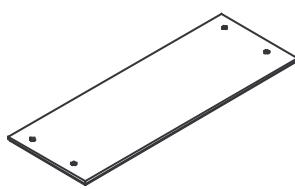
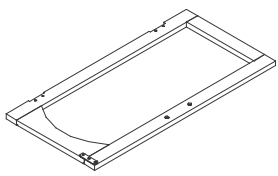
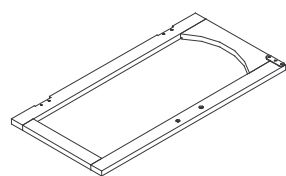
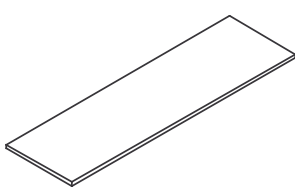
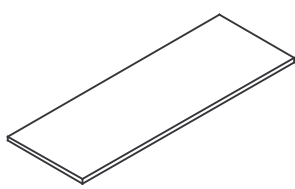
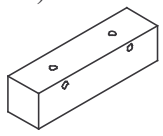
HARDWARE LIST					
1 Allen Wrench X 1 PC 	(2) Bolt X 8 PCS $\phi 3/16'' \times 2 1/4''$ 	(3) Dowel X 14 PCS 	(4) Magnet X 1 PC 	(5) Screw X 6 PCS $\phi 5/16'' \times 1 1/4''$ 	(6) Handle X 2 PCS 
(7) Bolt X 4PCS $\phi 1/4'' \times 3/4''$ 	(8) Hinge X4PCS 	(9) Screw X 16PCS $\phi 3/16'' \times 1/2''$ 	(10) Wall Anchor X 2 PCS 	(11) Screw X 2 PCS $\phi 5/16'' \times 1 1/2''$ 	(12) Screw X 2 PCS $\phi 3/16'' \times 5/8''$ 
PARTS LIST					
(A) Front Upper Cross Bar X 1 PC 	(B) Back Upper Cross Bar X 1 PC 	(C) Back Middle Cross Bar X 1 PC 	(D) Front Lower Cross Bar X 1 PC 	(E) Back Lower Cross Bar X 1 PC 	
(F) Left Side Facing Frame X 1 PC 	(G) Right Side Facing Frame X 1 PC 	(H) Back Panel X 2 PCS 	(I) Top Panel X 1 PC 		
(J) Left Side Facing Door Panel X 1 PC 	(K) Right Side Facing Door Panel X 1 PC 	(L) Shelf X 2 PCS 	(M) Bottom Panel X 1 PC 	(N) Slot X 1 PC 	

FIGURE 1

Attach the Slot (N) to the predrilled holes on the Front Upper Cross Bar (A) by using Screws (5). Put the Left Side Facing Frame(F) side-standing, then attach the Front Upper Cross Bar(A), Back Upper Cross Bar(B), Back Middle Cross Bar(C), Front Lower Cross Bar(D) and the Back Lower Cross Bar (E) to it by using Bolts(2) and Dowels(3).

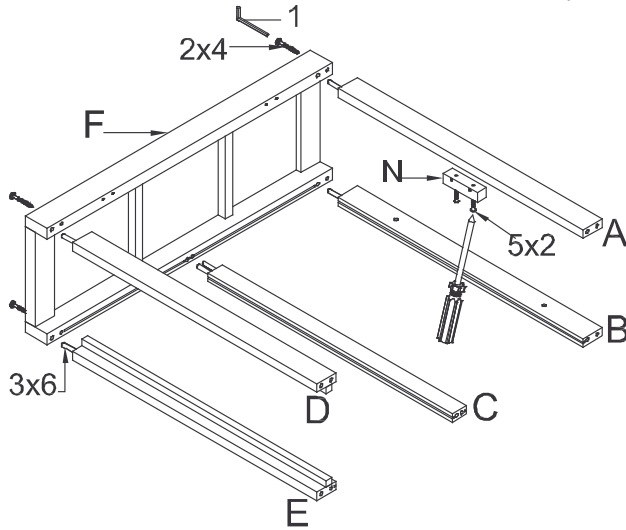


FIGURE 2

Attach the Magnet (2) to the Slot (N) by using Screws(12). Insert the Back Panels (H) into the grooves in the Back Upper Cross Bar(B), Back Middle Cross Bar(C), Left Side Facing Frame(E) and the Left Side Facing Frame(F).

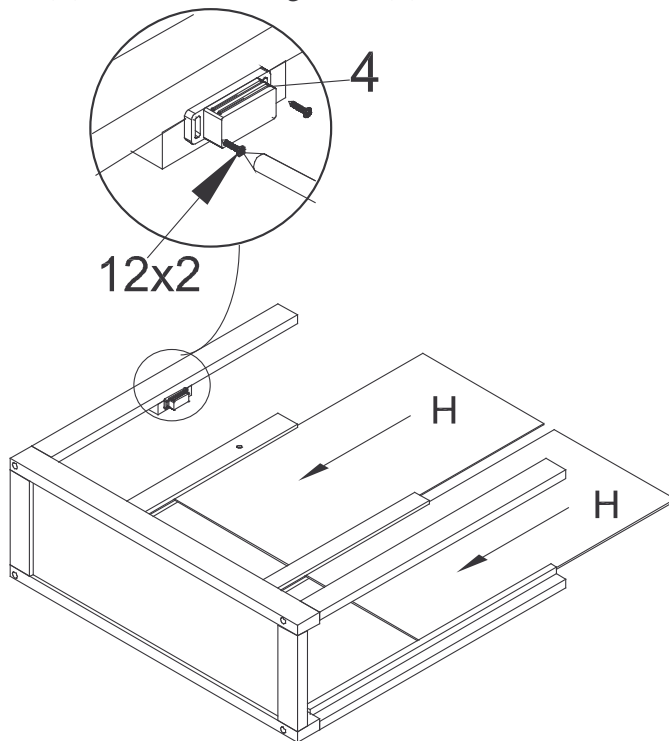


FIGURE 3

Attach the Right Side Facing Frame (G) the same way that attach the Left Side Facing Frame (F) at Figure 1.

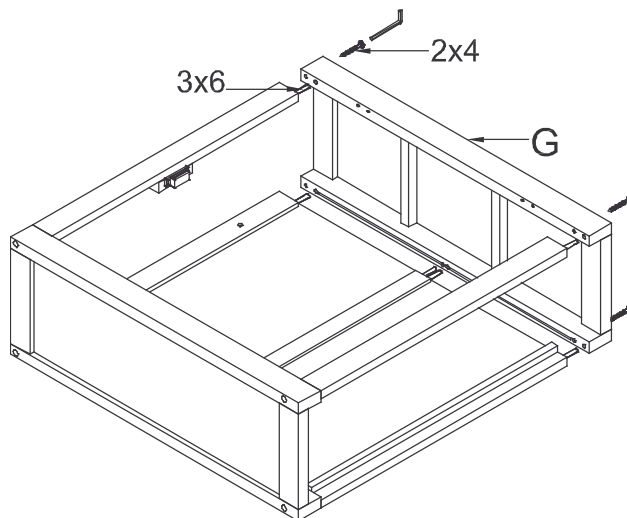


FIGURE 4

Put the Top Panel (I) on top of the assembled unit and tighten it by using Screws (5) and Dowels (3).

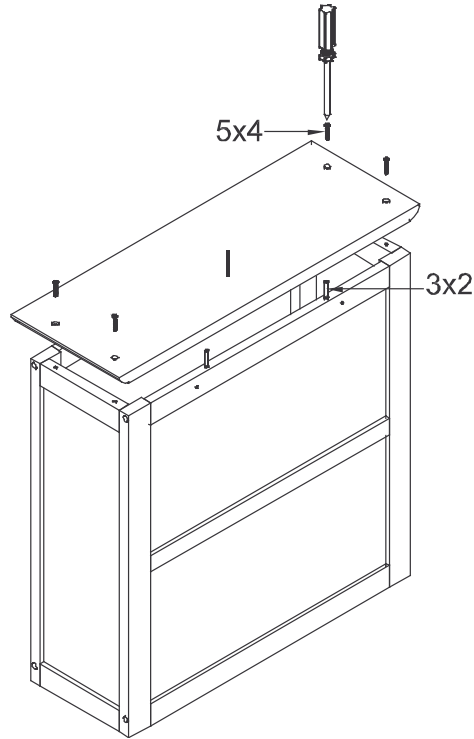


FIGURE 5

Attach the Hinges (8) to the predrilled holes on the Left/Right Side Facing Door Panels (J/K) by using Screws (9). Attach the Handles (6) to the predrilled holes on the Left/Right Side Facing Door Panel (J/K) by using Bolts (7).

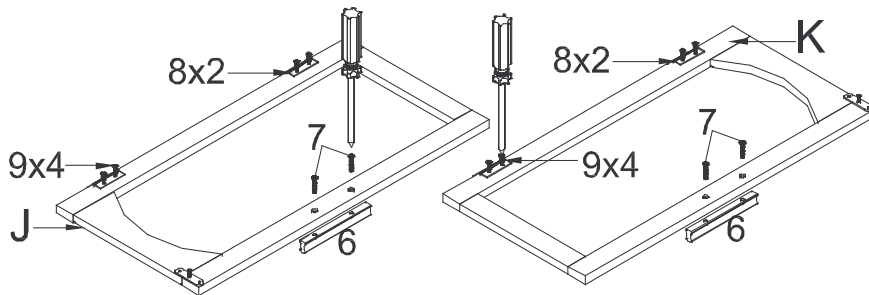


FIGURE 6

Attach the Left/Right Side Facing Door Panels (J/K) to the predrilled holes of the Left/Right Side Facing Frame (F/G) that on the previous assembled unit by using Screws (9).

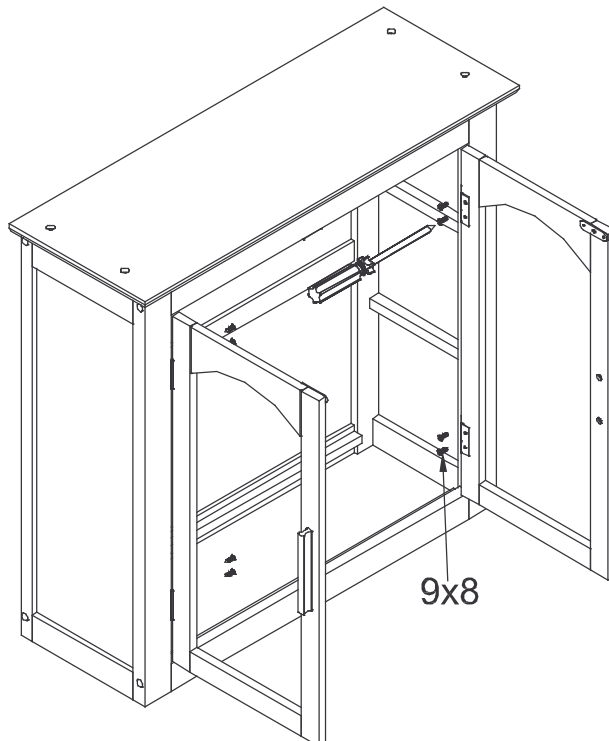


FIGURE 7

Put the Shelves (L) and the Bottom Panel (M) inside the assembled unit.

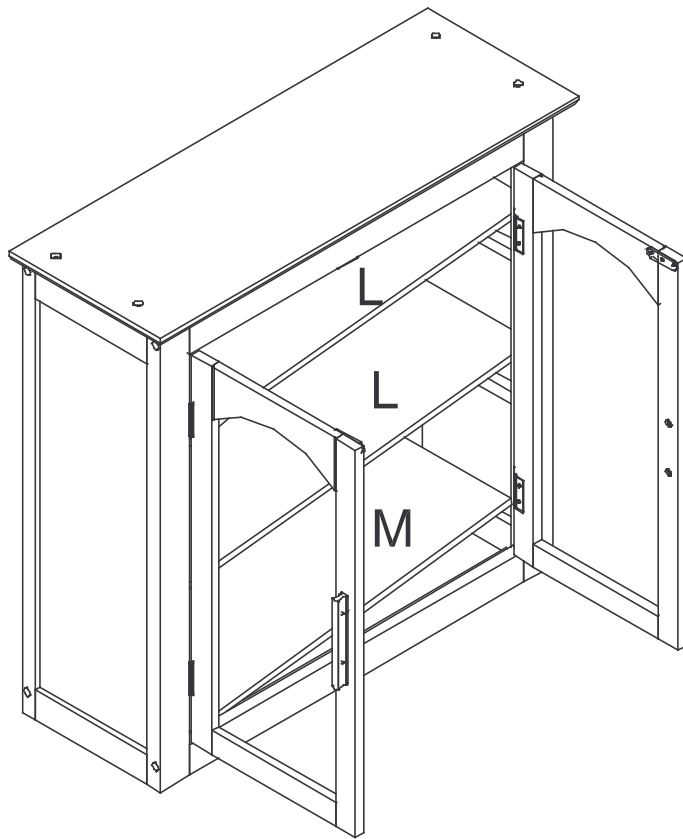
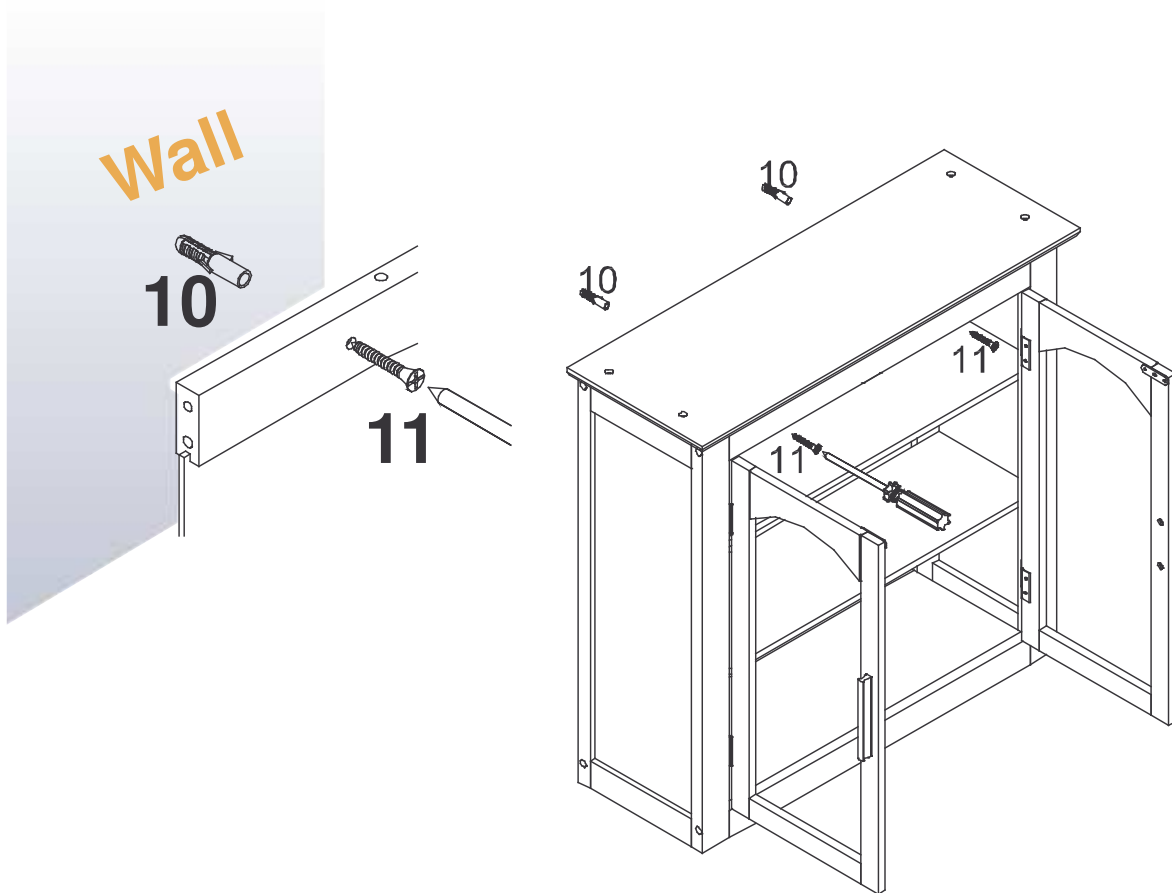


FIGURE 8


Attach the unit to the wall by using Anchors (10) and the Screws (11), make sure the full unit is attached to the wall firmly before your enjoying it.



YOUR "BAMBOO WALL CABINET " IS FINISHED AND READY TO USE

"We will ship parts if available" "This is not a warranty"

Please count, identify and compare parts and hardware list to be sure all parts are present. It may help to divide parts and label them to correspond with part list. Extra hardware may be included. If any items are missing, please contact our parts/service department at (800) 633-5096 or in Dallas (972) 869-0111/ 9am – 4pm Mon-Fri Central time. Missing or damaged hardware and/ or parts will be replaced free of charge. WE DO NOT SELL PARTS. WE DO NOT RECOMMEND MODIFYING PRODUCT(S) AND WE ARE NOT RESPONSIBLE FOR ANY DAMAGES DUE TO PRODUCT MODIFICATION(S). If this product has not been purchased from our retail affiliates (within 9 months), we are under no obligation to provide parts or replacement merchandise. Parts will not be available for items arriving fully assembled.

PARTS REPLACEMENT FORM			
STYLE NO: BE868200TX			
Customer Name	PARTS LETTER	PART DESCRIPTION	QUANTITY NEEDED
<hr/>			
Street, City, State, Zip			
<hr/>			
Phone#			
<hr/>			
	<hr/>		
	Please indicate where you purchased this item.		
	Store/website/catalog		
	/ /		
Please indicate color/size/style number			
/ /			
SOUTHERN ENTERPRISES INC. P.O. Box 59996 Dallas, Texas 75229			