

STYLE NO. **BE6622 – WHITE**
BE8622 - BLACK


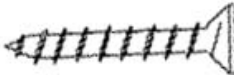
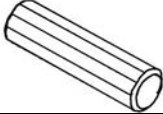

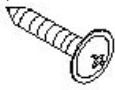
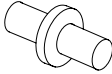
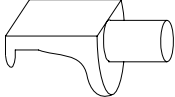

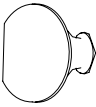
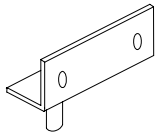
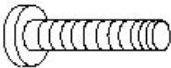
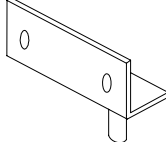
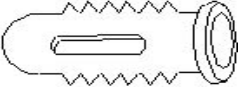
ARCH-TOP

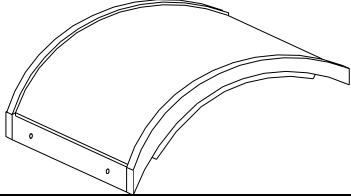
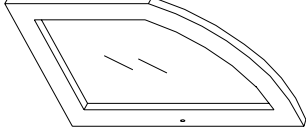


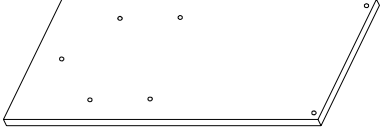
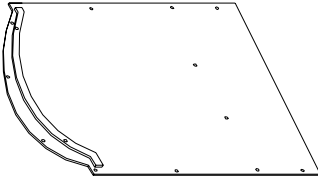
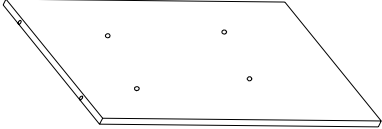
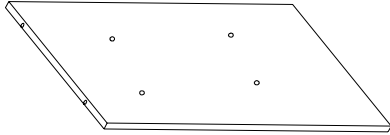

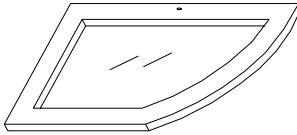
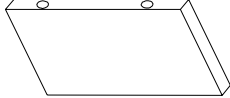
SOUTHERN ENTERPRISES INC.

WALL CABINET

RELAX...If you can follow a few easy, step-by-step directions in order .YOU CAN ASSEMBLE THIS ITEM.

PLEASE FIND HARDWARE IN RED POLYBAG BEFORE DISCARDING PACKING MATERIAL.

HARDWARE LIST			
(1) LARGE MACHINE SCREWS (Ø1/4"X3/4") 	6PCS	(8) LARGE FLAT HEAD WOOD SCREWS (Ø4X38mm) 	2PCS
(2) WOOD DOWELS 	16PCS	(9) PLASTIC PLUGS 	6PCS
(3) PAN HEAD WOOD SCREWS (Ø2.6X10mm) 	14PCS	(10) METAL HINGES 	2PCS
(4) SHELF SUPPORTS 	4PCS	(11) SMALL FLAT HEAD SCREWS (Ø3X10mm) 	4PCS
(5) METAL KNOBS 	2PCS	(12) LEFT METAL HINGES 	1PC
(6) SMALL MACHINE SCREWS (Ø5/32"X5/8") 	2PCS	(13) RIGHT METAL HINGES 	1PC
(7) PLASTIC ANCHORS 	2PCS		

PARTS LIST			
(A) TOP PANEL 	1PC	(G) RIGHT DOOR 	1PC
(B) LEFT SIDE PANEL 	1PC	(H) WOOD TOWEL BAR 	1PC
(C) RIGHT SIDE PANEL 	1PC	(I) BACK PANEL 	1PC
(D) UPPER FIXED SHELF 	1PC	(J) LOWER FIXED SHELF 	1PC
(E) ADJUSTABLE SHELF 	1PC	(K) LEFT DOOR 	1PC
(F) DIVIDER 	2PCS		

ASSEMBLY INSTRUCTION

1. SELECT A SMOOTH, SOFT SURFACE TO PREVENT SCRATCHING FINISH.
2. YOU MAY NEED A PHILLIP SCREWDRIVER.
3. INSERT WOOD DOWELS (2) INTO PREDRILLED HOLES ON EDGES OF DIVIDERS (F) AND FIT INTO CORRESPONDING HOLES ON UNDERSIDE OF UPPER FIXED SHELF (D) AND UPSIDE OF LOWER FIXED SHELF (J). (AS SHOWN IN FIGURE 1)
4. INSERT WOOD DOWELS (2) INTO PREDRILLED HOLES ON ENDS OF UPPER AND LOWER FIXED SHELVES (D, J) AND FIT INTO CORRESPONDING HOLES ON INSIDE OF LEFT SIDE PANEL (B).
INSERT MACHINE SCREWS (Ø1/4"X3/4") (1) THROUGH PREDRILLED HOLES ON OUTSIDE OF LEFT

SIDE PANEL (B) AND TIGHTEN INTO CORRESPONDING HOLES ON ENDS OF TOP PANEL (A) AND WOOD TOWEL BAR (H). PUSH PLASTIC PLUGS (9) INTO THE BIG HOLES ON OUTSIDE OF LEFT SIDE PANEL (B). ASSEMBLE RIGHT SIDE PANEL (C) IN SAME MANNER. (AS SHOWN FIGURE 2)

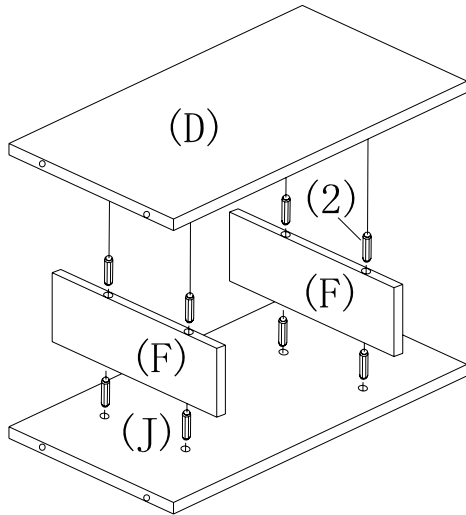


FIGURE 1

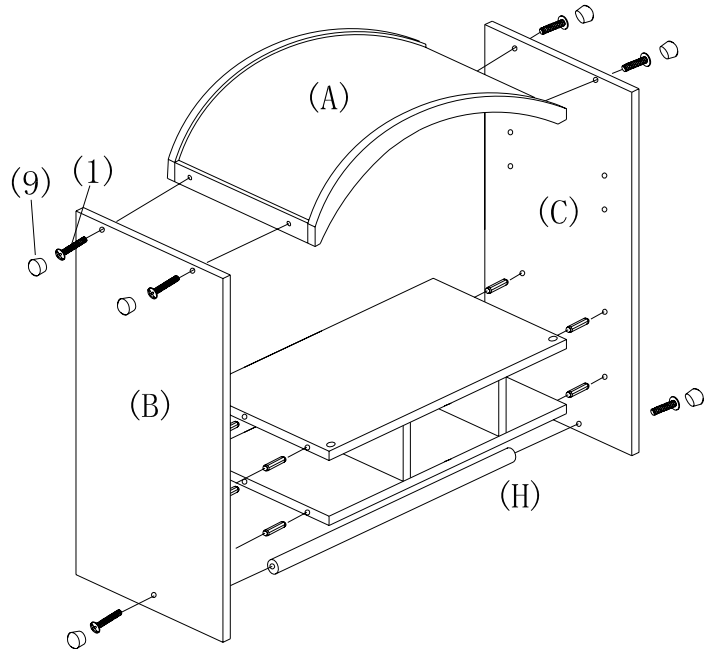


FIGURE 2

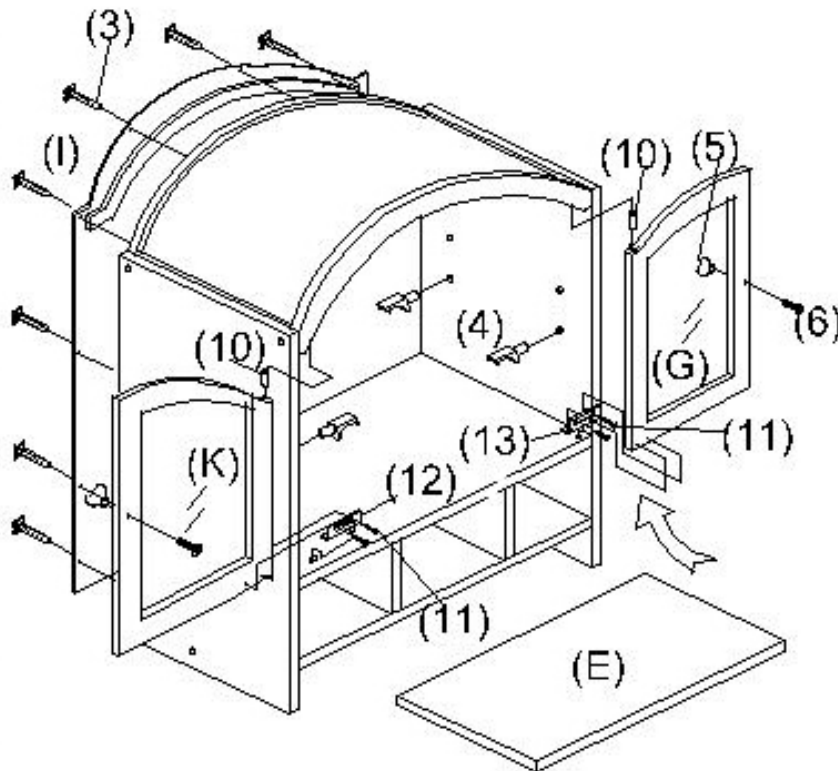


FIGURE 3

- ATTACH BACK PANEL (I) INTO SLOTS ON PARTS (A, B, C, J). INSERT PAN HEAD WOOD SCREWS (Ø2.6X10mm) (3) THROUGH PREDRILLED HOLES ON BACK PANEL (I) AND TIGHTEN INTO REAR EDGES OF PARTS (A, B, C, J). INSERT METAL HINGES (10) INTO TOP EDGES OF LEFT AND RIGHT

DOORS (K, G) AND FIT INTO CORRESPONDING HOLES ON UNDERSIDE OF TOP PANEL (A). FIT LEFT AND RIGHT METAL HINGES (12, 13) INTO PREDRILLED HOLES ON UPSIDE OF UPPER FIXED SHELF (D). INSERT SMALL FLAT HEAD WOOD SCREWS (Ø3X10mm) (11) THROUGH LEFT AND RIGHT METAL HINGES (12, 13) AND TIGHTEN INTO PREDRILLED HOLES ON LEFT AND RIGHT DOORS (K, G). (AS SHOWN IN FIGURE 3)

6. INSERT SMALL MACHINE SCREWS (Ø5/32"X5/8") (6) THROUGH PREDRILLED HOLES ON BACK OF LEFT AND RIGHT DOORS (K, G) AND TIGHTEN INTO METAL KNOBS (5). FIT SHELF SUPPORTS (4) INTO PREDRILLED HOLES ON INSIDE OF LEFT AND RIGHT SIDE PANELS (B, C). PUT ADJUSTABLE SHELF (E) ON SHELF SUPPORTS (4). (AS SHOWN IN FIGURE 3)
7. DRILL TWO 1/4" DIAMETER HOLES ON WALL, THE DISTANCE BETWEEN TWO HOLES SHOULD MATCH TO THE PREDRILLED HOLES ON BACK PANEL (I). FIT PLASTIC ANCHORS (7) INTO THE HOLES ON WALL. USE SCREWDRIVER TO SCREW LARGE FLAT HEAD WOOD SCREWS (Ø4X38mm) (8) THROUGH PREDRILLED HOLES ON BACK PANEL (I) INTO PLASTIC ANCHORS (7). (AS SHOWN IN FIGURE 4)

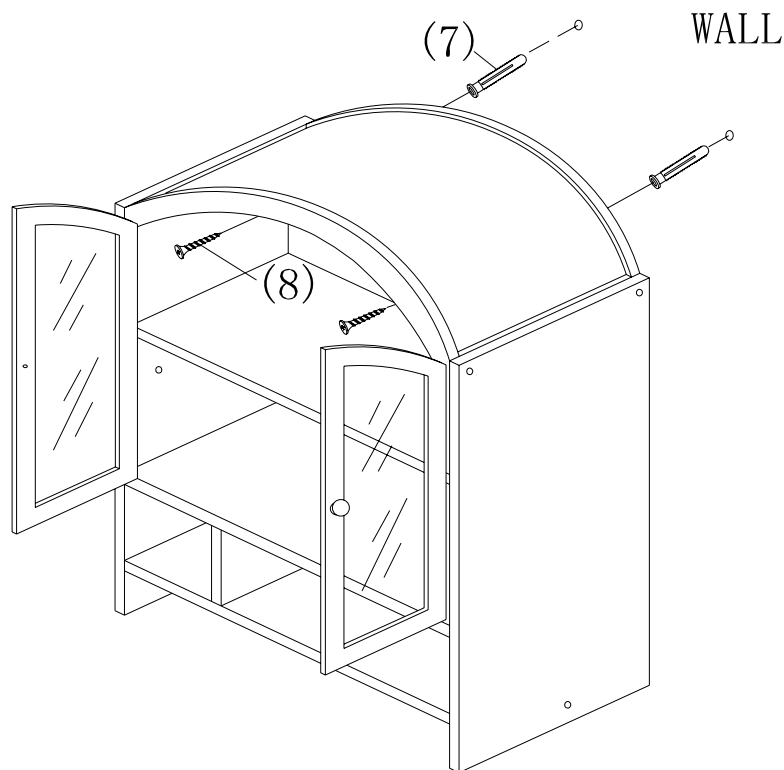


FIGURE 4


YOUR NEW WHITE ARCH-TOP WALL CABINET IS FINISHED AND READY TO USE.

Please count, identify and compare parts and hardware list to be sure all parts are present. It may help to divide parts and label them to correspond with part list. Extra hardware may be included. If any items are missing, please contact our parts/service department at (800) 633-5096 or in Dallas (972) 869-0111/ 9am – 4pm Mon-Fri Central time. Missing or damaged hardware and/ or parts will be replaced free of charge. WE DO NOT SELL PARTS. WE DO NOT RECOMMEND MODIFYING PRODUCT(S) AND WE ARE NOT RESPONSIBLE FOR ANY DAMAGES DUE TO PRODUCT MODIFICATION(S). If this product has not been purchased from our retail affiliates (within 9 months), we are under no obligation to provide parts or

replacement merchandise. Parts will not be available for items arriving fully assembled.

NOTE: PLEASE DO NOT OVERTIGHTEN CAMLOCKS!

"We will ship parts if available" "This is not a warranty"

PARTS REPLACEMENT FORM			
STYLE NO: BE6622/BE8622			
Customer Name	PARTS LETTER	PART DESCRIPTION	QUANTITY NEEDED
<hr/>			
Street, City, State, Zip			
<hr/>			
Phone#			
<hr/>			
		<hr/>	
		Please indicate where you purchased this item.	
		Store/website/catalog	
		/ /	
SOUTHERN ENTERPRISES INC. P.O. Box 59996 Dallas, Texas 75229		Please indicate color/size/style number	
		/ /	