

STYLE NO.: **BE6621 – WHITE**  
**BE8621 - BLACK**


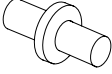
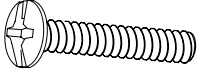
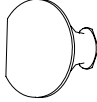
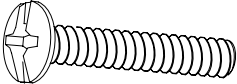
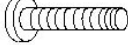

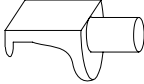


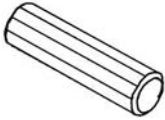
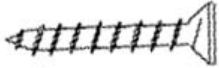


**SOUTHERN ENTERPRISES INC.**

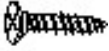
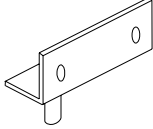
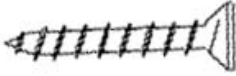
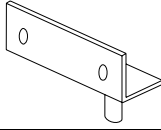


**ARCH-TOP SPACESAVER**

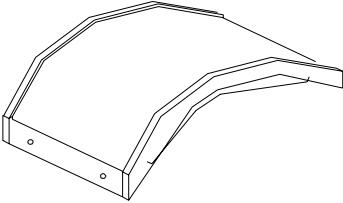
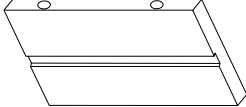
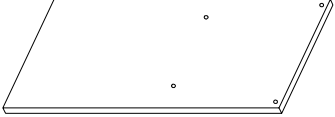
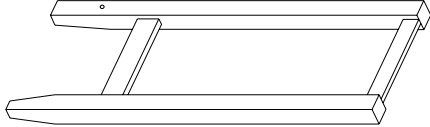
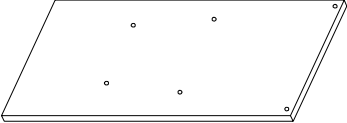
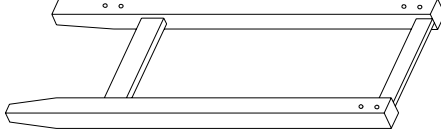



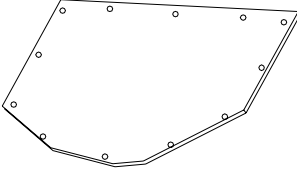
RELAX...If you can follow a few easy, step-by-step directions in order .YOU CAN ASSEMBLE THIS ITEM.

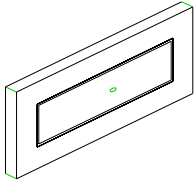
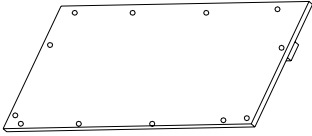
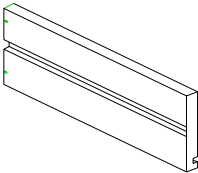

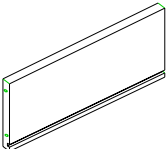
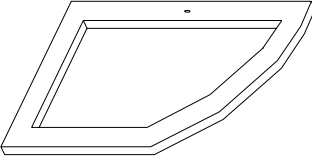
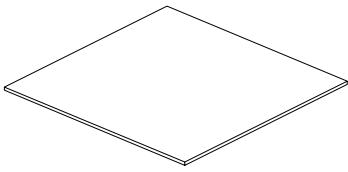
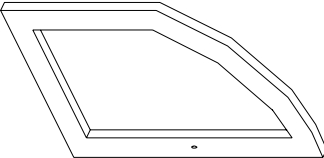
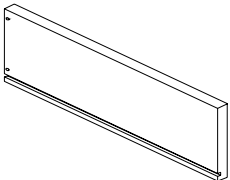

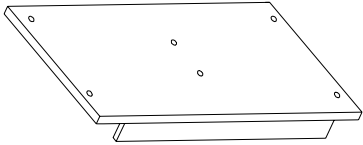
**PLEASE FIND HARDWARE IN RED POLYBAG BEFORE DISCARDING PACKING MATERIAL.**

**NOTE: PLEASE DO NOT OVERTIGHTEN CAM LOCKS!**

<b>HARDWARE LIST</b>			
(1) MEDIUM MACHINE SCREWS (Ø1/4"X1") 	4PCS	(11) METAL HINGES 	2PCS
(2) LARGE MACHINE SCREWS (Ø1/4"X1-1/2") 	8PCS	(12) KNOBS 	4PCS
(3) X-LARGE MACHINE SCREWS (Ø1/4"X2-1/4") 	4PCS	(13) SMALL MACHINE SCREWS (Ø5/32"X5/8") 	4PCS
(4) T-BOLTS 	12PCS	(14) SHELF SUPPORTS 	4PCS
(5) PLASTIC PLUGS 	12PCS	(15) PLASTIC ANCHORS 	2PCS
(6) LARGE WOOD DOWELS  Ø8x30mm	8PCS	(16) LARGE FLAT HEAD WOOD SCREWS (Ø4X25mm) 	4PCS
(7) SMALL WOOD DOWELS  Ø6x20mm	12PCS	(17) SMALL FLAT HEAD WOOD SCREWS (Ø3X10mm) 	4PCS

<p>(8) MEDIUM FLAT HEAD WOOD SCREWS (Ø3X15mm)</p> 	<p>(18) RIGHT METAL HINGES</p> 
<p>(9) X-LARGE FLAT HEAD WOOD SCREWS (Ø4X38mm)</p> 	<p>(19) LEFT METAL HINGES</p> 
<p>(10) PAN HEAD WOOD SCREWS (Ø2.6X10mm)</p> 	<p>(20) METAL STOPPER</p> 

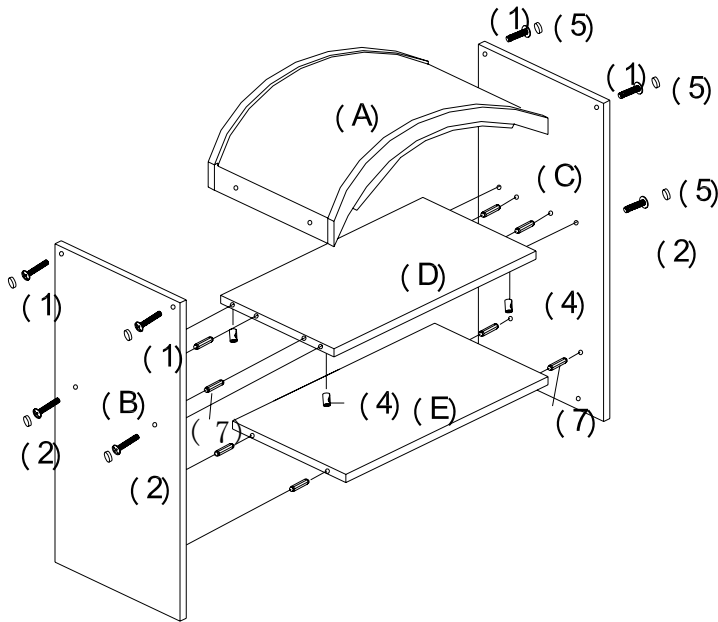
<b>PARTS LIST</b>			
<p>(A) TOP PANEL</p> 	<p>(L) DIVIDER</p> 		
<p>(B) UPPER LEFT SIDE PANEL</p> 	<p>(M) LOWER RIGHT SIDE FRAME</p> 		
<p>(C) UPPER RIGHT SIDE PANEL</p> 	<p>(N) LOWER LEFT SIDE FRAME</p> 		
<p>(D) UPPER FIXED SHELF</p> 	<p>(O) CROSS BRACE</p> 		
<p>(E) LOWER FIXED SHELF</p> 	<p>(P) UPPER BACK PANEL</p> 		

(F) DRAWER FRONT 	2PCS	(Q) MIDDLE BACK PANEL 	1PC
(G) DRAWER LEFT SIDE 	2PCS	(R) LOWER BACK PANEL 	1PC
(H) DRAWER BACK 	2PCS	(S) RIGHT DOOR 	1PC
(I) DRAWER BOTTOM 	2PCS	(T) LEFT DOOR 	1PC
(J) DRAWER RIGHT SIDE 	2PCS	(U) ADJUSTABLE SHELF 	1PC
(K) BOTTOM PANEL 	1PC		

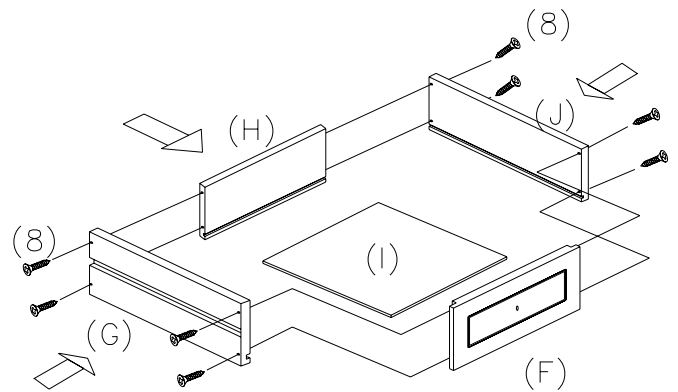
### ASSEMBLY INSTRUCTION

1. SELECT A SMOOTH, SOFT SURFACE TO PREVENT SCRATCHING FINISH.
2. YOU MAY NEED A PHILIP SCREWDRIVER.
3. INSERT SMALL WOOD DOWELS (Ø6x20mm) (7) INTO PREDRILLED HOLES ON ENDS OF UPPER AND LOWER FIXED SHELVES (D, E) AND FIT INTO CORRESPONDING HOLES ON INSIDE OF UPPER LEFT SIDE PANEL (B). INSERT T-BOLTS (4) INTO PREDRILLED HOLES ON UNDERSIDE OF UPPER FIXED SHELF (D). INSERT LARGE MACHINE SCREWS (Ø1/4"X1-1/2") (2) THROUGH PREDRILLED HOLES ON OUTSIDE OF UPPER LEFT SIDE PANEL (B) AND TIGHTEN INTO T-BOLTS (4). PLEASE NOTE THAT IF SCREWS DO NOT TIGHTEN, ROTATE T-BOLTS (4) SO THAT THE THREADS OF T-BOLTS (4) ARE FACING SCREWS. TIGHTEN MEDIUM MACHINE SCREWS (Ø1/4"X1") (1) THROUGH PREDRILLED HOLES ON OUTSIDE OF UPPER LEFT SIDE PANEL (B) INTO THREADED HOLES ON END OF TOP PANEL (A). FIT PLASTIC PLUGS (5) INTO HOLES ON OUTSIDE OF UPPER LEFT SIDE PANEL (B). ASSEMBLE UPPER RIGHT SIDE PANEL (C) IN SAME MANNER. (AS SHOWN IN FIGURE 1)

4. INSERT MEDIUM FLAT HEAD WOOD SCREWS ( $\varnothing 3 \times 15 \text{mm}$ ) (8) THROUGH PREDRILLED HOLES ON OUTSIDE OF DRAWER RIGHT PANEL (J) AND TIGHTEN INTO PREDRILLED HOLES ON ENDS OF DRAWER FRONT PANEL (F) AND DRAWER BACK PANEL (H). SLIDE DRAWER BOTTOM PANEL (I) INTO GROOVES ON DRAWER FRONT PANEL (F) AND DRAWER BACK PANEL (H) AND ALIGN WITH GROOVE ON DRAWER RIGHT PANEL (J). ASSEMBLE DRAWER LEFT PANEL (G) IN SAME MANNER. (AS SHOWN IN FIGURE 2)

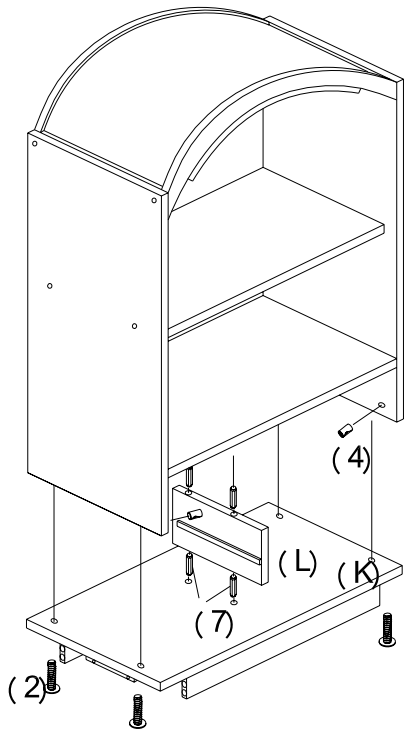


**FIGURE 1**

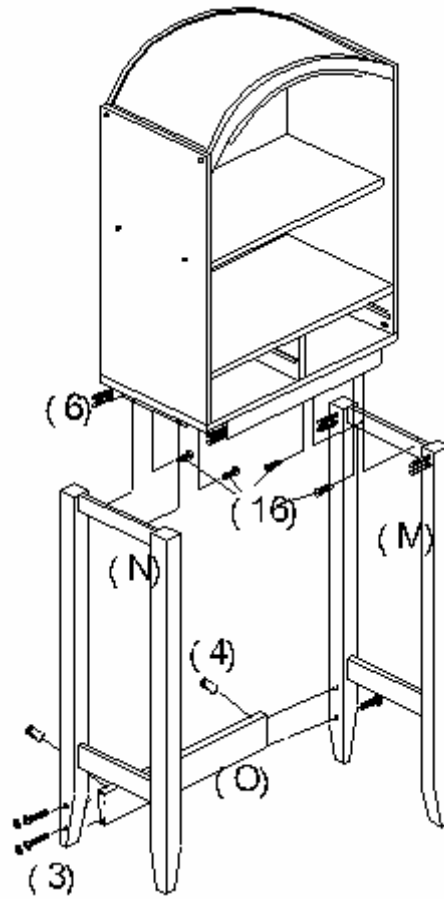


**FIGURE 2**

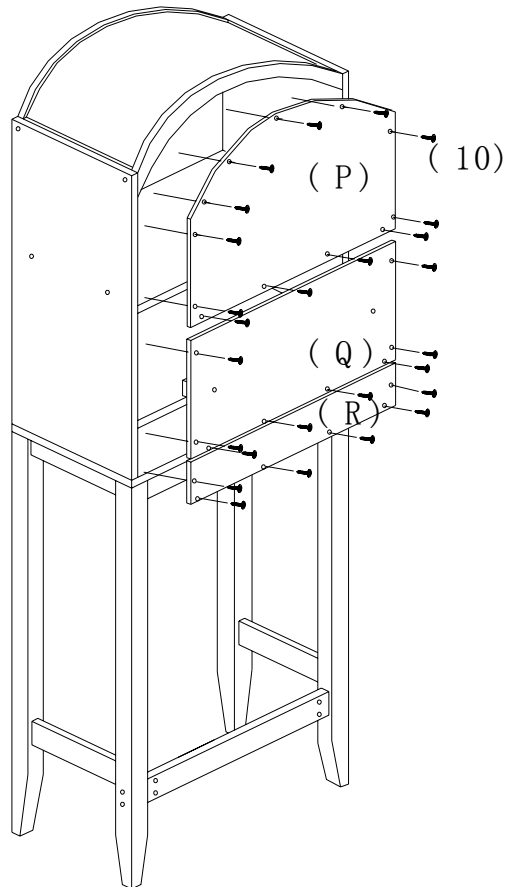
5. INSERT SMALL WOOD DOWELS (7) INTO PREDRILLED HOLES ON TOP EDGE OF DIVIDER (L) AND FIT INTO CORRESPONDING HOLES ON UNDERSIDE OF LOWER FIXED SHELF (E) AND UPSIDE OF BOTTOM PANEL (K). INSERT T-BOLTS (4) INTO PREDRILLED HOLES BOTTOM EDGES OF UPPER LEFT AND RIGHT SIDE PANELS (B, C). TIGHTEN LARGE MACHINE SCREWS ( $\varnothing 1/4 \times 1-1/2$ ) (2) THROUGH PREDRILLED HOLES ON UNDERSIDE OF BOTTOM PANEL (K) INTO T-BOLTS (4). PLEASE NOTE THAT IF SCREWS DO NOT TIGHTEN, ROTATE T-BOLTS (4) SO THAT THE THREADS OF T-BOLTS (4) ARE FACING SCREWS. (AS SHOWN IN FIGURE 3)
6. INSERT LARGE WOOD DOWELS ( $\varnothing 8 \times 30 \text{mm}$ ) (6) INTO PREDRILLED HOLES ON WOOD BARS ON UNDERSIDE OF BOTTOM PANEL (K), THEN FIT INTO CORRESPONDING HOLES ON INSIDE OF LOWER LEFT AND RIGHT SIDE FRAMES (M, N). INSERT LARGE FLAT HEAD WOOD SCREWS ( $\varnothing 4 \times 25 \text{mm}$ ) (16) THROUGH PREDRILLED HOLES ON WOOD BARS ON UNDERSIDE OF BOTTOM PANEL (K) AND TIGHTEN INTO CORRESPONDING HOLES ON INSIDE OF LOWER LEFT AND RIGHT SIDE FRAMES (M, N). INSERT T-BOLTS (4) INTO PREDRILLED HOLES ON BACK OF CROSS BRACE (O). TIGHTEN X-LARGE MACHINE SCREWS ( $\varnothing 1/4 \times 2-1/4$ ) (3) THROUGH PREDRILLED HOLES ON OUTSIDE OF LOWER LEFT AND RIGHT SIDE FRAMES (M, N) INTO T-BOLTS (4). PLEASE NOTE THAT IF SCREWS DO NOT TIGHTEN, ROTATE T-BOLTS (4) SO THAT THE THREADS OF T-BOLTS (4) ARE FACING SCREWS. (AS SHOWN IN FIGURE 4)
7. ATTACH UPPER BACK PANEL (P) INTO SLOTS ON PARTS (A, B, C, D). INSERT PAN HEAD WOOD SCREWS ( $\varnothing 2.6 \times 10 \text{mm}$ ) (10) THROUGH PREDRILLED HOLES ON UPPER BACK PANEL (P) AND TIGHTEN INTO CORRESPONDING HOLES ON REAR EDGES OF PARTS (A, B, C, D). ASSEMBLE MIDDLE AND LOWER BACK PANELS (Q, R) IN SAME MANNER. (AS SHOWN IN FIGURE 5)



**FIGURE 3**

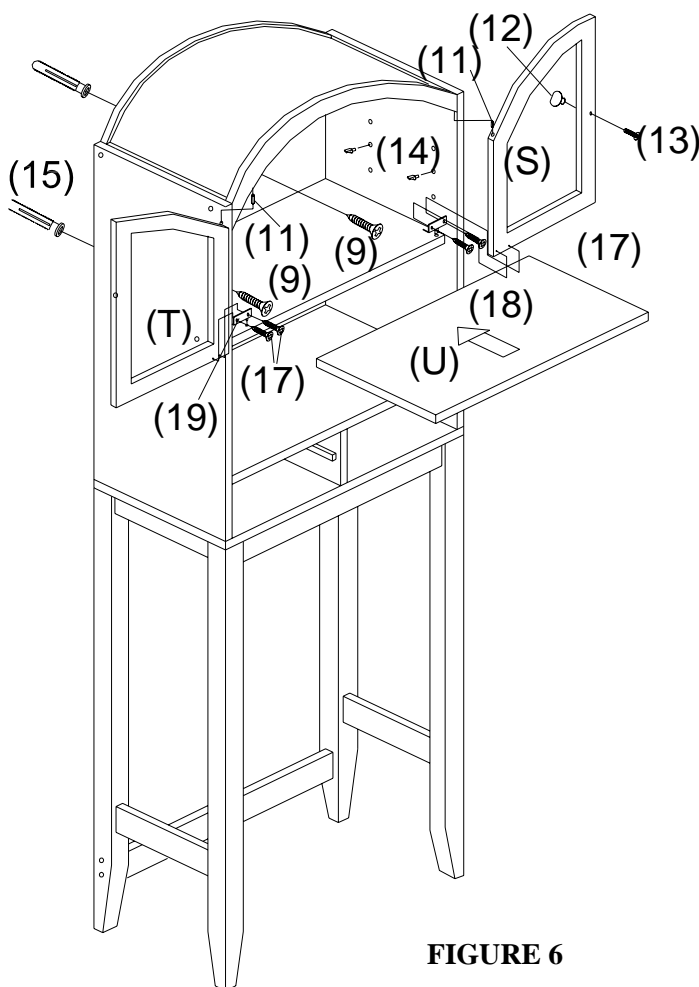


**FIGURE 4**

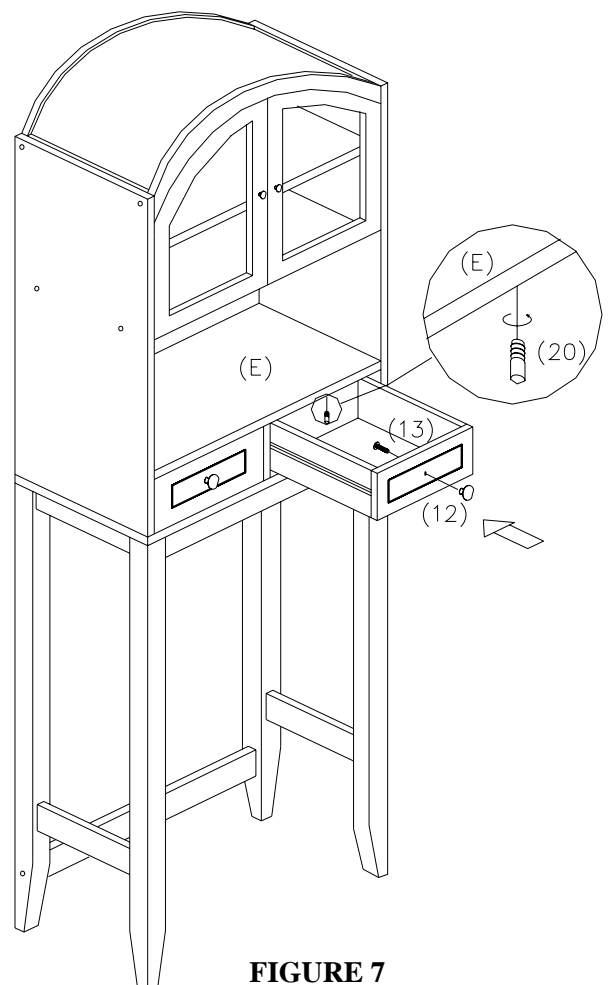


**FIGURE 5**

8. INSERT METAL HINGES (11) INTO PREDRILLED HOLES ON TOP EDGES OF LEFT AND RIGHT DOORS (S, T) AND FIT INTO CORRESPONDING HOLES ON UNDERSIDE OF TOP PANEL (A). INSERT LEFT AND RIGHT METAL HINGES (18, 19) INTO PREDRILLED HOLES ON UPSIDE OF UPPER FIXED SHELF (D). INSERT SMALL FLAT HEAD WOOD SCREWS (Ø3X10mm) (17) THROUGH LEFT AND RIGHT METAL HINGES (18, 19) AND TIGHTEN INTO PREDRILLED HOLES ON BACK OF LEFT AND RIGHT DOORS (S, T). INSERT SMALL MACHINE SCREWS (Ø5/32"X5/8") (13) THROUGH PREDRILLED HOLES ON LEFT AND RIGHT DOORS (S, T) AND TIGHTEN INTO METAL KNOBS (12). (AS SHOWN IN FIGURE 6)
9. FOR SAFETY AND STABILITY, PLACE THE UNIT AGAINST WALL, DRILL TWO 1/4" DIAMETER HOLES IN WALL, THE DISTANCE BETWEEN TWO HOLES SHOULD MATCH TO THE PREDRILLED HOLES ON UPPER BACK PANEL (P). FIT PLASTIC ANCHORS (15) INTO THE HOLES ON WALL. USE SCREWDRIVER TO SCREW X-LARGE FLAT HEAD WOOD SCREWS (Ø4X38mm) (9) THROUGH PREDRILLED HOLES ON UPPER BACK PANEL (P) INTO PLASTIC ANCHORS (15). (AS SHOWN IN FIGURE 6).
10. FIT SHELF SUPPORTS (14) INTO PREDRILLED HOLES ON UPPER LEFT AND RIGHT SIDE PANELS (B, C). PUT ADJUSTABLE SHELF (U) ON EACH SHELF SUPPORTS (14). (AS SHOWN IN FIGURE 6)
11. INSERT SMALL MACHINE SCREWS (Ø5/32"X5/8") (13) THROUGH PREDRILLED HOLES ON BACK OF DRAWER FRONT PANELS (F) AND TIGHTEN INTO METAL KNOBS (12). TIGHTEN METAL STOPPERS (20) INTO PREDRILLED HOLES ON LOWER FIXED SHELF (E). AND PLACE THE ASSEMBLED DRAWERS INTO SPACE OF UNIT. (AS SHOWN IN FIGURE 7)



**FIGURE 6**




**FIGURE 7**

**YOUR NEW ARCH-TOP SPACESAVER IS FINISHED AND READY TO USE.**

Please count, identify and compare parts and hardware list to be sure all parts are present. It may help to divide parts and label them to correspond with part list. Extra hardware may be included. If any items are missing, please contact our parts/service department at (800) 633-5096 or in Dallas (972) 869-0111/ 9am – 4pm Mon-Fri Central time. Missing or damaged hardware and/ or parts will be replaced free of charge. WE DO NOT SELL PARTS. WE DO NOT RECOMMEND MODIFYING PRODUCT(S) AND WE ARE NOT RESPONSIBLE FOR ANY DAMAGES DUE TO PRODUCT MODIFICATION(S). If this product has not been purchased from our retail affiliates (within 9 months), we are under no obligation to provide parts or replacement merchandise. Parts will not be available for items arriving fully assembled.

**NOTE: PLEASE DO NOT OVERTIGHTEN CAM LOCKS!**

**"We will ship parts if available" "This is not a warranty"**

<b>PARTS REPLACEMENT FORM</b>			
<b>STYLE NO: BE6621/BE8621</b>			
Customer Name	PARTS LETTER	PART DESCRIPTION	QUANTITY NEEDED
Street, City, State, Zip			
Phone#			
		Please indicate where you purchased this item. Store/website/catalog	
SOUTHERN ENTERPRISES INC. P.O. Box 59996 Dallas, Texas 75229		Please indicate color/size/style number	
		/ /	
		/ /	