



STYLE NO: BE7183

**SOUTHERN ENTERPRISES INC.**

**NASSAU TOWEL SAFE**

RELAX..If you can follow a few easy, step-by-step directions in order .YOU CAN ASSEMBLE THIS ITEM.

**PLEASE FIND HARDWARE IN RED POLYBAG BEFORE DISCARDING PACKING MATERIAL.**

**HARDWARE LIST**

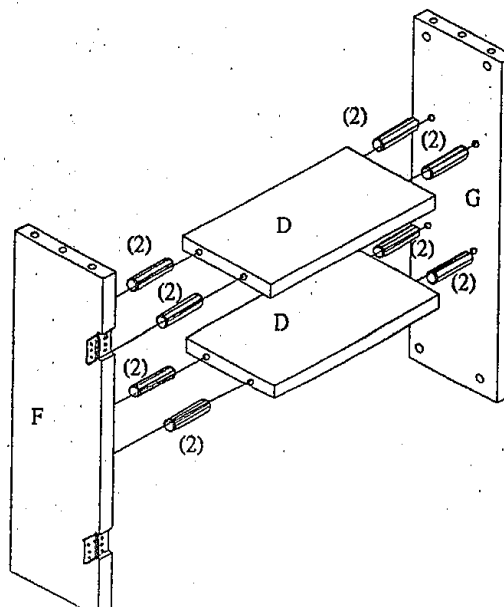
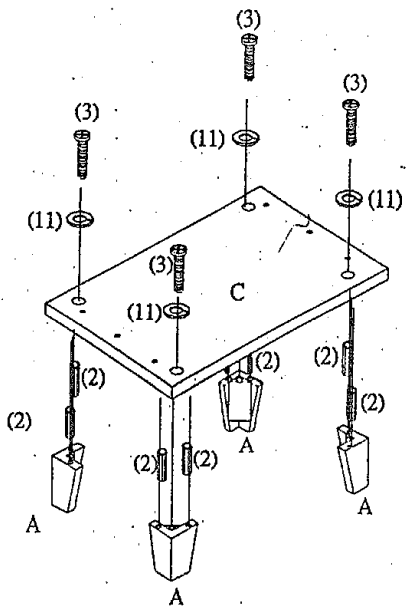
(1) METAL KNOB	1PC	(7) MAGNETS	2PCS
(2) WOOD DOWELS	20PCS	(8) CAM-BOLTS	8PCS
(3) LONG MACHINE SCREWS	4PCS	(9) CAM-LOCKS	8PCS
(4) SHORT MACHINE SCREW	1PC	(10) COVERS	8PCS
(5) FLAT HEAD WOOD SCREWS	6PCS	(11) LOCK WASHERS	4PCS
(6) PAN HEAD WOOD SCREWS	24PCS		

**PARTS LIST**

A. WOODEN FEET	4PCS	E. BACK PANEL	1PC
B. TOP PANEL	1PC	F. LEFT SIDE PANEL	1PC
C. BOTTOM PANEL	1PC	G. RIGHT SIDE PANEL	1PC
D. SHELVES	2PCS	H. DOOR	1PC

**ASSEMBLY INSTRUCTION**

1. SELECT A SMOOTH, SOFT SURFACE TO PREVENT SCRATCHING PARTS FINISH.
2. YOU MAY NEED A PHILLIP SCREWDRIVER.
3. INSERT WOOD DOWELS(2) INTO UNTHREADED HOELS ON TOP OF WOODEN FEET(A) AND FIT INTO CORRESPONDING HOLES ON UNDERSIDE OF BOTTOM PANEL(C). INSERT LONG MACHINE SCREWS(3) THROUGH LOCK WASHERS(11), PREDRILLED HOLES ON UPSIDE OF BOTTOM PANEL(C) AND TIGHTEN INTO THREADED HOLES ON TOP OF WOODEN FEET(A). AS FIGURE 1 SHOWN.
4. INSERT WOOD DOWELS(2) INTO PREDRILLED HOLES ON ENDS OF SHELVES(D) AND FIT INTO CORRESPONDING HOLES ON INSIDE OF LEFT AND RIGHT SIDE PANELS(F,G). AS FIGURE 2 SHOWN. FIGURE 1 FIGURE 2



5. FIT WOOD DOWELS(2), CAM-BOLTS(8) INTO PREDRILLED HOLES ON UPSIDE OF BOTTOM PANEL(C). WITH AN ASSISTANT, LIFT THE ASSEMBLED UNIT ABOVE BOTTOM PANEL(C). INSERT WOOD DOWELS(2), CAM-BOLTS(8) EXTENDING FROM BOTTOM PANEL(C) INTO CORRESPONDING HOLES ON BOTTOM EDGES OF LEFT AND RIGHT SIDE PANELS(F,G). INSERT CAM-LOCKS(9) INTO BIG HOLES ON INSIDE OF LEFT AND RIGHT SIDE PANELS(F,G) WITH SLOT FOR SCREWDRIVER FACING OUTWARD. ROTATE CAM-LOCKS(9) CLOCKWISE TO SECURE CAM-BOLTS(8). PUSH COVERS(10) INTO CAM-LOCKS(9). PERFORM THE SAME WAY TO ASSEMBLE TOP PANEL(B). AS FIGURE 3 AND INSET SHOWN.
6. ATTACH BACK PANEL(E) INTO SLOT OF REAR EDGES OF PARTS(B,C,F,G). TIGHTEN PAN HEAD WOOD SCREWS(6) THROUGH PREDRILLED HOLES ON BACK PANEL(E) INTO CORRESPONDING HOLES ON REAR EDGES OF PARTS(B,C,F,G). AS FIGURE 4 SHOWN.

FIGURE 3

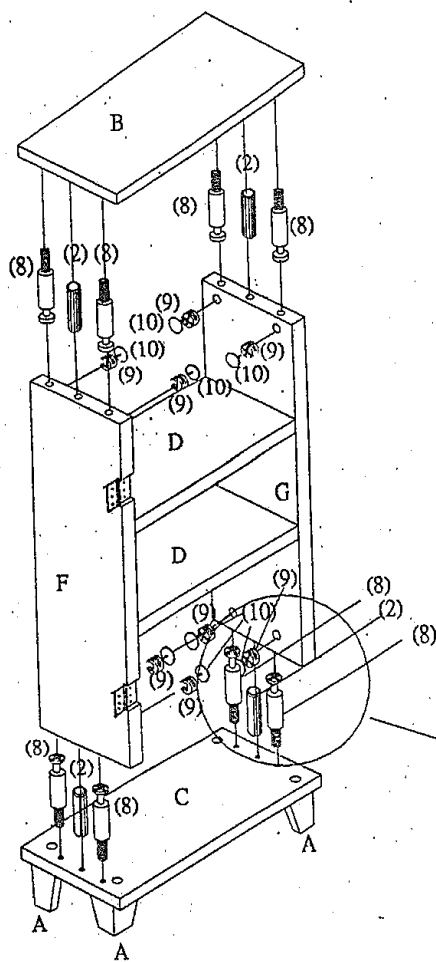
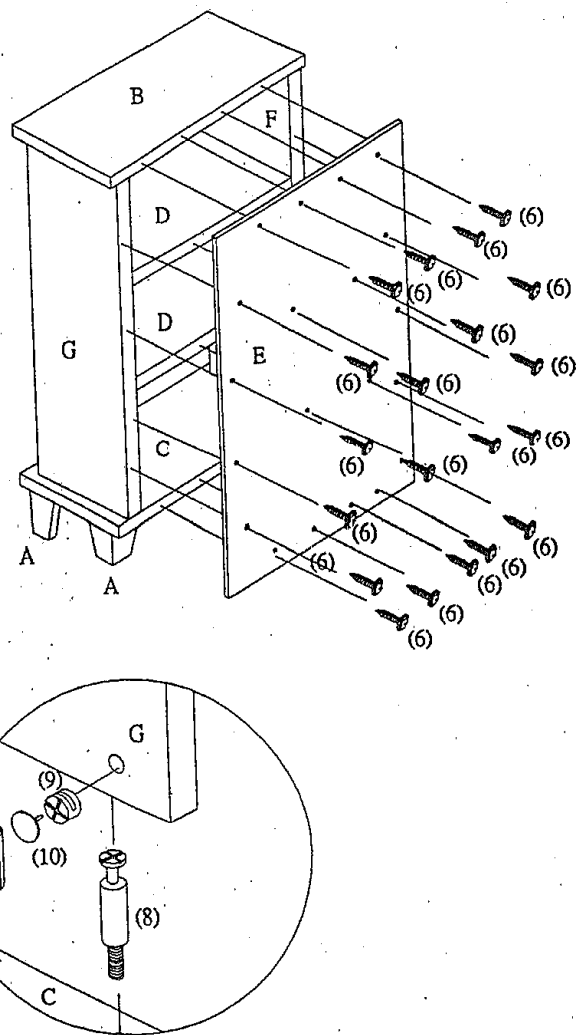


FIGURE 4

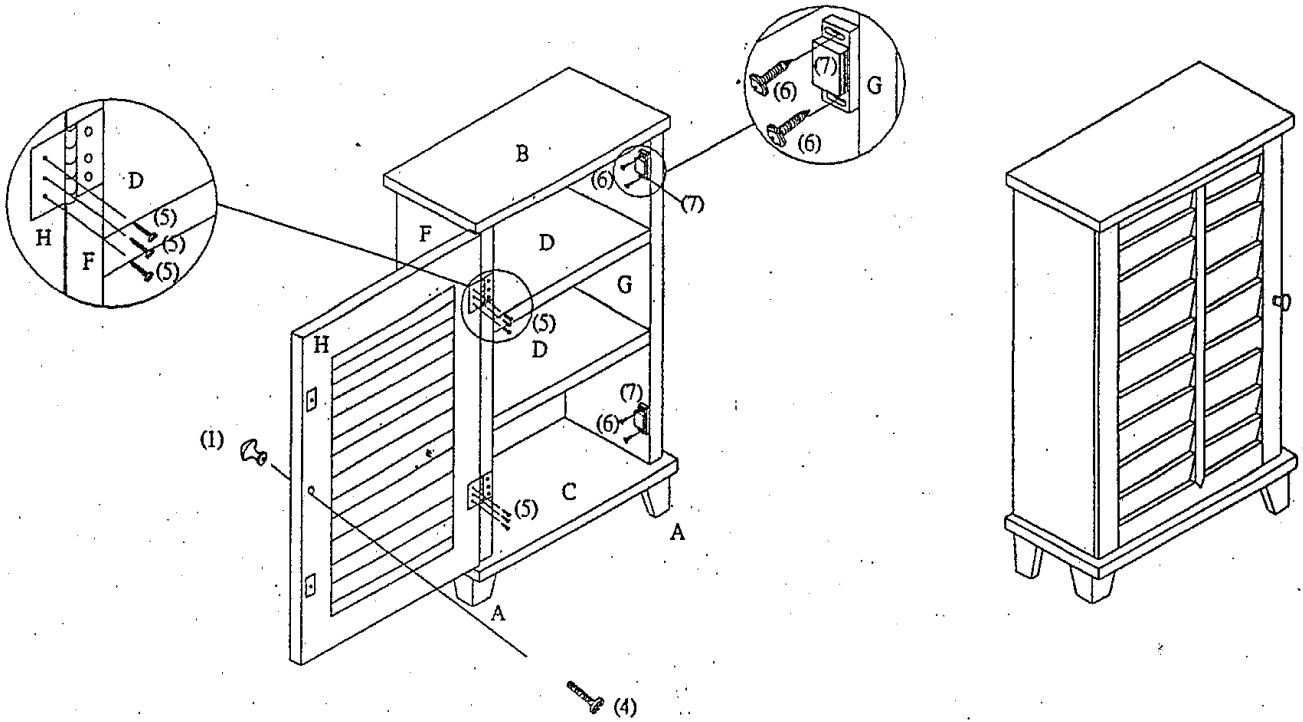


7. INSERT SHORT MACHINE SCREW(4) THROUGH PREDRILLED HOLE ON BACK OF DOOR(H) AND TIGHTEN INTO METAL KNOB(1). INSERT FLAT HEAD WOOD SCREWS(5) THROUGH HINGS ON LEFT SIDE PANEL(F) AND TIGHTEN INTO CORRESPONDING HOLES ON BACK OF DOOR(H). INSERT PAN HEAD WOOD SCREWS(6) THROUGH ENDS OF MAGNETS(7) AND TIGHTEN INTO PREDRILLED HOLES ON INSIDE OF RIGHT SIDE PANEL(G). AS FIGURE 5 AND INSET SHOWN.

**YOUR NEW NASSAU TOWEL SAFE IS FINISHED AND READY TO USE.**

FIGURE 5

READY



Please count, identify and compare parts and hardware list to be sure all parts are present. If any items are missing, please contact our parts/service department at (800) 633-5096 or in Dallas (972) 869-0111. Missing or damaged hardware and/or parts will be replaced free of charge.

**PARTS REPLACEMENT FORM**

STYLE NO:BE7183

Customer Name

PARTS  
LETTER

DESCRIPTION  
LETTER

QUANTITY  
NEEDED

Street, City, State, Zip



SOUTHERN ENTERPRISES INC.  
P.O. Box 59996 Dallas, Texas 75229  
(800) 633-5096/(972) 869-0111

Please indicate where you purchased this item.

Please indicate color/size/style number

/ /