



STYLE NO: **BE6843**


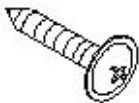

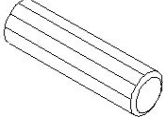
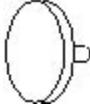
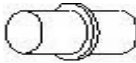
**WHITE MARIETTA
TOWEL TOWER**

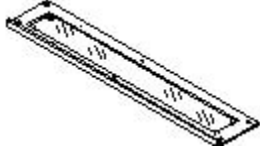
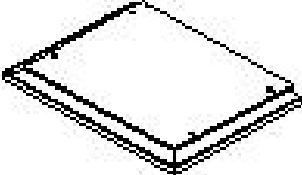

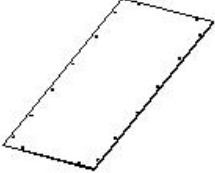

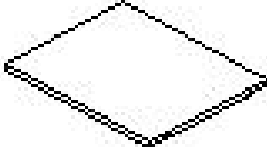
SOUTHERN ENTERPRISES INC.

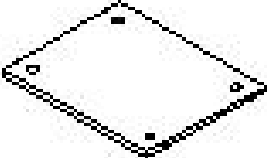

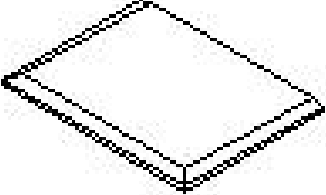
RELAX...If you can follow a few easy, step-by-step directions in order .YOU CAN ASSEMBLE THIS ITEM.

PLEASE FIND HARDWARE IN RED POLYBAG BEFORE DISCARDING PACKING MATERIAL.

NOTE: PLEASE DO NOT OVERTIGHTEN CAM LOCKS.

HARDWARE LIST			
(1) CAM-BOLTS	12PCS	(4) PAN HEAD WOOD SCREWS	16PCS
			
(2) CAM-LOCKS	12PCS	(5) WOOD DOWELS	4PCS
			
(3) COVERS	12PCS	(6) SHELF SUPPORTS	8PCS
			

PARTS LIST			
(A) LEFT SIDE PANEL	1PC	(F) BOTTOM PANEL	1PC
			
(B) RIGHT SIDE PANEL	1PC	(G) BACK PANEL	1PC
			
(C) CROSS BRACE	1PC	(H) ADJUSTABLE SHELF	2PCS
			

<p>(D) FIXED SHELF</p> <p>1PC</p> 	<p>(I) WOOD FEET</p> <p>4PCS</p> 
<p>(E) TOP PANEL</p> <p>1PC</p> 	

ASSEMBLY INSTRUCTIONS

1. SELECT A SMOOTH, SOFT SURFACE TO PREVENT SCRATCHING FINISH.
2. YOU MAY NEED A PHILLIPS SCREWDRIVER.
3. INSERT WOOD DOWELS (5) AND CAM-BOLTS (1) INTO PREDRILLED HOLES ON INSIDE OF LEFT AND RIGHT SIDE PANELS (A, B) AND FIT INTO CORRESPONDING HOLES ON ENDS OF CROSS BRACE AND FIXED SHELF (C, D). INSERT CAM-LOCKS (2) INTO BIG HOLES ON UNDERSIDE OF FIXED SHELF (D) WITH SLOT FOR SCREWDRIVER FACING OUTWARD. ROTATE CAM-LOCKS (2) CLOCKWISE TO SECURE CAM-BOLTS (1). PUSH COVERS (3) INTO CAM-LOCKS (2). (AS SHOWN IN FIGURE 1)
4. TIGHTEN WOOD FEET (I) INTO THREADED HOLES ON UNDERSIDE OF BOTTOM PANEL (F). INSERT CAM-BOLTS (1) INTO PREDRILLED HOLES ON UPPER SIDE OF BOTTOM PANEL (F) AND FIT INTO CORRESPONDING HOLES ON BOTTOM EDGES OF LEFT AND RIGHT SIDE PANELS (A, B). INSERT CAM-LOCKS (2) INTO BIG HOLES ON INSIDE OF LEFT AND RIGHT SIDE PANELS (A, B) WITH SLOT FOR SCREWDRIVER FACING OUTWARD. ROTATE CAM-LOCKS (2) CLOCKWISE TO SECURE CAM-BOLTS (1). PUSH COVERS (3) INTO CAM-LOCKS (2). ASSEMBLE TOP PANEL (E) IN THE SAME MANNER. FIT SHELF SUPPORTS (6) INTO PREDRILLED HOLES ON INSIDE OF LEFT AND RIGHT SIDE PANELS (A, B). (AS SHOWN IN FIGURE 2)

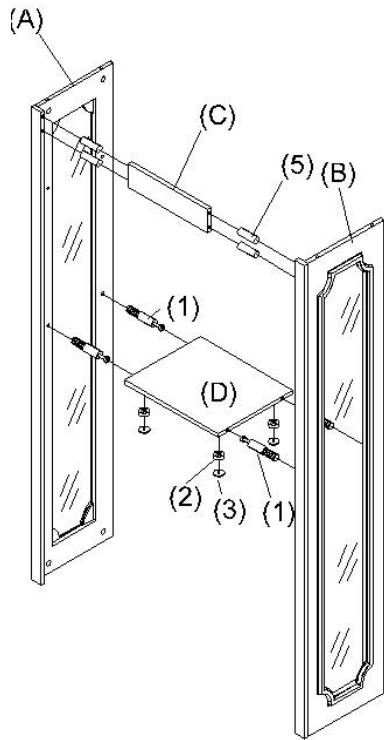


FIGURE 1

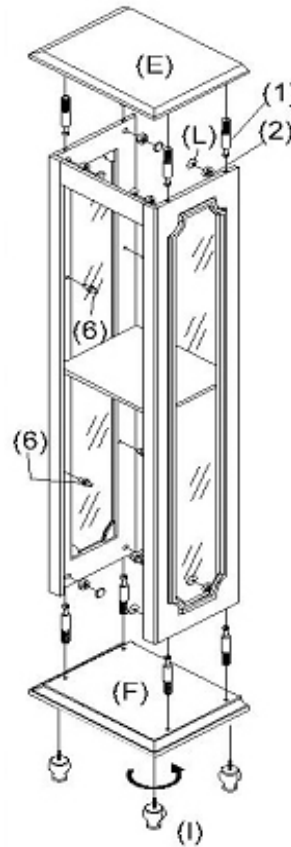


FIGURE 2

5. ATTACH BACK PANEL (G) INTO SLOT OF PARTS (A, B, E, F). TIGHTEN PAN HEAD WOOD SCREWS (4) THROUGH PREDRILLED HOLES ON BACK PANEL (G) INTO REAR EDGES OF PARTS (A, B, E, F). (AS SHOWN IN FIGURE 3)
6. PUT ADJUSTABLE SHELVES (H) ON SHELF SUPPORTS (6) MATCHING THE POSITION OF GROOVES ON UNDERSIDE OF ADJUSTABLE SHELVES (H). (AS SHOWN IN FIGURE 4)

YOUR NEW WHITE MARIETTA TOWEL TOWER IS FINISHED AND READY TO USE.

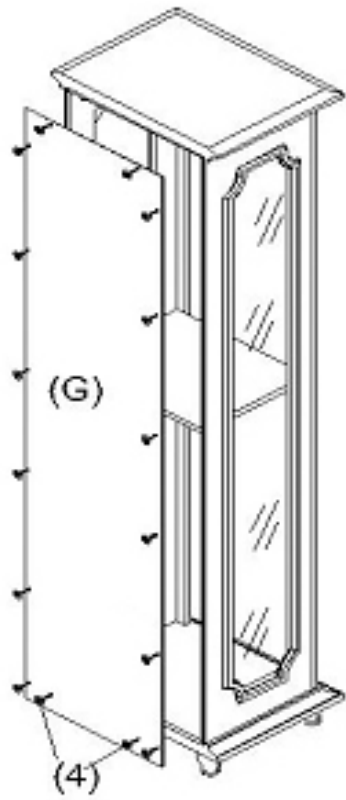


FIGURE 3

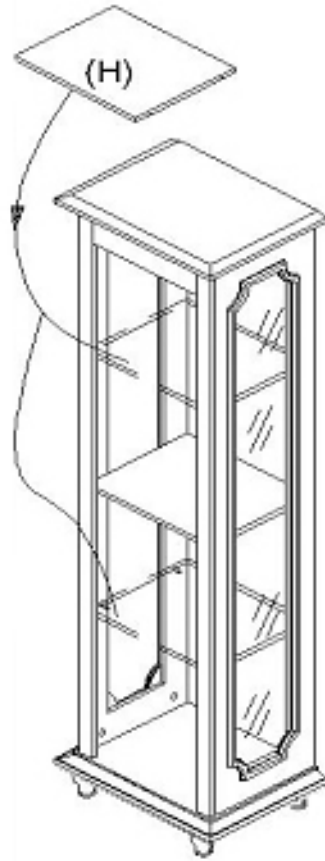
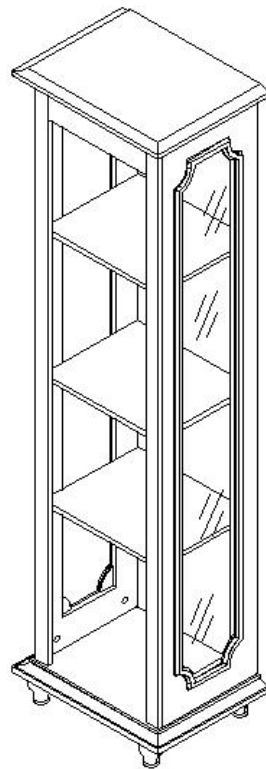


FIGURE 4



READY

Please count, identify and compare parts and hardware list to be sure all parts are present. It may help to divide parts and label them to correspond with part list. Extra hardware may be included. If any items are missing, please contact our parts/service department at (800) 633-5096 or in Dallas (972) 869-0111/ 9am – 4pm Mon-Fri Central time. Missing or damaged hardware and/ or parts will be replaced free of charge. WE DO NOT SELL PARTS. WE DO NOT RECOMMEND MODIFYING PRODUCT(S) AND WE ARE NOT RESPONSIBLE FOR ANY DAMAGES DUE TO PRODUCT MODIFICATION(S). If this product has not been purchased from our retail affiliates (within 9 months), we are under no obligation to provide parts or replacement merchandise. Parts will not be available for items arriving fully assembled.

PARTS REPLACEMENT FORM

STYLE NO: **BE6843**

Customer Name _____

PARTS
LETTER

PART
DESCRIPTION

QUANTITY
NEEDED

Street, City, State, Zip _____

Phone# _____



 Please indicate where you purchased this item.
 Store/website/catalog

 Please indicate color/size/style number

SOUTHERN ENTERPRISES INC.
 P.O. Box 59996 Dallas, Texas 75229

