



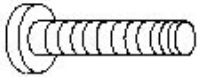
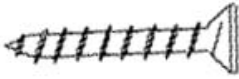
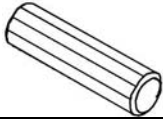



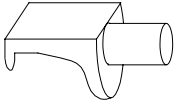

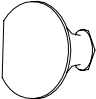
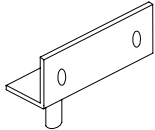

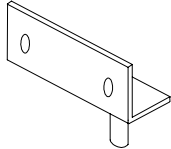
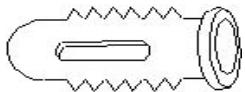
STYLE NO. BE6622

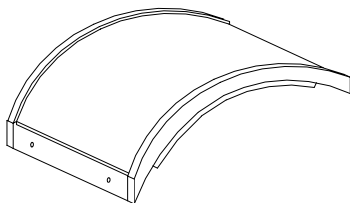
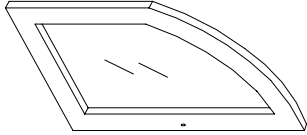
SOUTHERN ENTERPRISES INC.

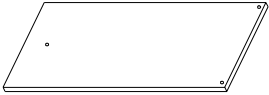
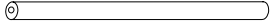
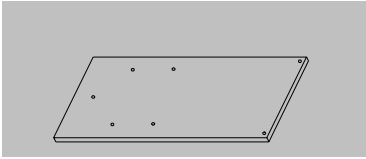
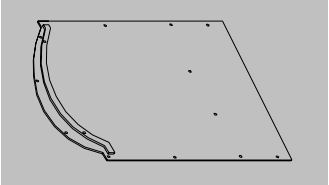
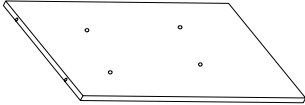
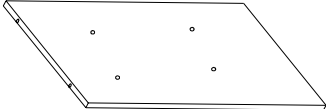

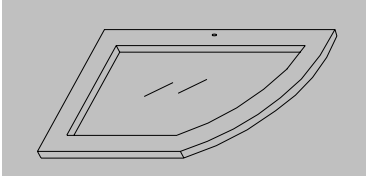
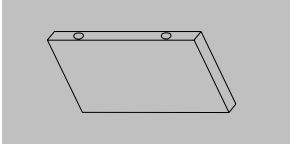
RELAX...If you can follow a few easy, step-by-step directions in order .YOU CAN ASSEMBLE THIS ITEM.

**WHITE ARCH-TOP
WALL CABINET**

PLEASE FIND HARDWARE IN RED POLYBAG BEFORE DISCARDING PACKING MATERIAL.

HARDWARE LIST			
(1) LARGE MACHINE SCREWS (Ø1/4"X3/4") 	6PCS	(8) LARGE FLAT HEAD WOOD SCREWS (Ø4X38mm) 	2PCS
(2) WOOD DOWELS 	16PCS	(9) PLASTIC PLUGS 	6PCS
(3) PAN HEAD WOOD SCREWS (Ø2.6X10mm) 	14PCS	(10) METAL HINGES 	2PCS
(4) SHELF SUPPORTS 	4PCS	(11) SMALL FLAT HEAD SCREWS (Ø3X10mm) 	4PCS
(5) METAL KNOBS 	2PCS	(12) RIGHT METAL HINGES 	1PC
(6) SMALL MACHINE SCREWS (Ø5/32"X5/8") 	2PCS	(13) LEFT METAL HINGES 	1PC
(7) PLASTIC ANCHORS 	2PCS		

PARTS LIST			
(A) TOP PANEL 	1PC	(G) RIGHT DOOR 	1PC

<p>(B) LEFT SIDE PANEL 1PC</p> 	<p>(H) WOOD TOWEL BAR 1PC</p> 
<p>(C) RIGHT SIDE PANEL 1PC</p> 	<p>(I) BACK PANEL 1PC</p> 
<p>(D) UPPER FIXED SHELF 1PC</p> 	<p>(J) LOWER FIXED SHELF 1PC</p> 
<p>(E) ADJUSTABLE SHELF 1PC</p> 	<p>(K) LEFT DOOR 1PC</p> 
<p>(F) DIVIDER 2PCS</p> 	

ASSEMBLY INSTRUCTIONS

1. SELECT A SMOOTH, SOFT SURFACE TO PREVENT SCRATCHING FINISH.
2. YOU MAY NEED A PHILLIPS SCREWDRIVER.
3. INSERT WOOD DOWELS (2) INTO PREDRILLED HOLES ON EDGES OF DIVIDERS (F) AND FIT INTO CORRESPONDING HOLES ON UNDERSIDE OF UPPER FIXED SHELF (D) AND UPSIDE OF LOWER FIXED SHELF (J). (AS SHOWN IN FIGURE 1)
4. INSERT WOOD DOWELS (2) INTO PREDRILLED HOLES ON ENDS OF UPPER AND LOWER FIXED SHELVES (D, J) AND FIT INTO CORRESPONDING HOLES ON INSIDE OF LEFT SIDE PANEL (B). INSERT LARGE MACHINE SCREWS (Ø1/4"X3/4") (1) THROUGH PREDRILLED HOLES ON OUTSIDE OF LEFT SIDE PANEL (B) AND TIGHTEN INTO CORRESPONDING HOLES ON ENDS OF TOP PANEL (A) AND WOOD TOWEL BAR (H). PUSH PLASTIC PLUGS (9) INTO THE BIG HOLES ON OUTSIDE OF LEFT SIDE PANEL (B). ASSEMBLE RIGHT SIDE PANEL (C) IN SAME MANNER. (AS SHOWN IN FIGURE 2)

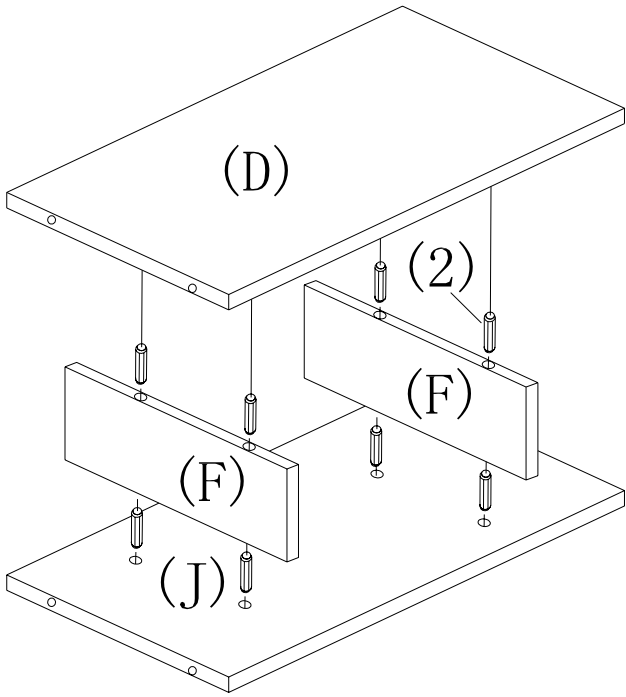


FIGURE 1

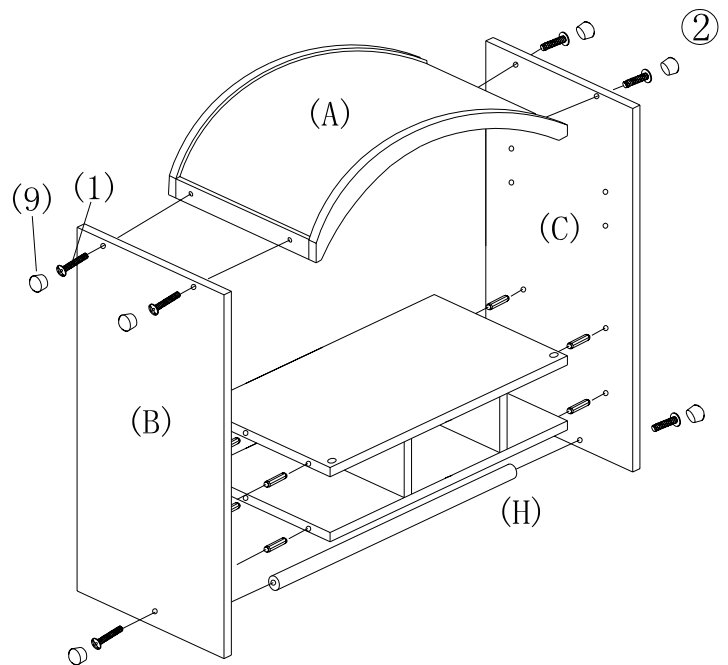


FIGURE 2

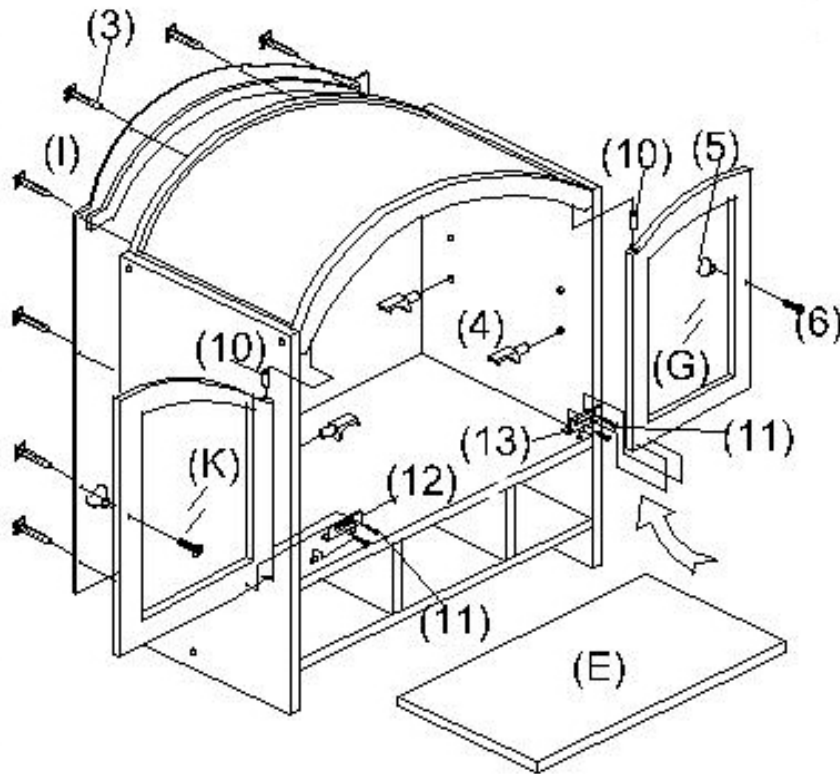


FIGURE 3

5. ATTACH BACK PANEL (I) INTO SLOTS ON PARTS (A, B, C, J). INSERT PAN HEAD WOOD SCREWS ($\text{\O}2.6 \times 10\text{mm}$) (3) THROUGH PREDRILLED HOLES ON BACK PANEL (I) AND TIGHTEN INTO REAR EDGES OF PARTS (A, B, C, J). INSERT METAL HINGES (10) INTO TOP EDGES OF LEFT AND RIGHT DOORS (K, G) AND FIT INTO CORRESPONDING HOLES ON UNDERSIDE OF TOP PANEL (A). FIT LEFT AND RIGHT METAL HINGES (12, 13) INTO PREDRILLED HOLES ON UPSIDE OF UPPER FIXED SHELF (D). INSERT SMALL FLAT HEAD WOOD SCREWS ($\text{\O}3 \times 10\text{mm}$) (11) THROUGH LEFT AND RIGHT METAL HINGES (12, 13) AND TIGHTEN INTO PREDRILLED HOLES ON LEFT AND RIGHT DOORS (K, G). (AS SHOWN IN FIGURE 3)
6. INSERT SMALL MACHINE SCREWS ($\text{\O}5/32'' \times 5/8''$) (6) THROUGH PREDRILLED HOLES ON BACK OF LEFT AND RIGHT DOORS (K, G) AND TIGHTEN INTO METAL KNOBS (5). FIT SHELF SUPPORTS (4) INTO PREDRILLED HOLES ON INSIDE OF LEFT AND RIGHT SIDE PANELS (B, C). PUT ADJUSTABLE SHELF (E) ON SHELF SUPPORTS (4). (AS SHOWN IN FIGURE 3)
7. DRILL TWO $1/4''$ DIAMETER HOLES IN WALL. THE DISTANCE BETWEEN TWO HOLES SHOULD MATCH THE PREDRILLED HOLES ON BACK PANEL (I). FIT PLASTIC ANCHORS (7) INTO THE HOLES ON WALL. USE SCREWDRIVER TO SCREW LARGE FLAT HEAD WOOD SCREWS ($\text{\O}4 \times 38\text{mm}$) (8) THROUGH PREDRILLED HOLES ON BACK PANEL (I) INTO PLASTIC ANCHORS (7). (AS SHOWN IN FIGURE 4)

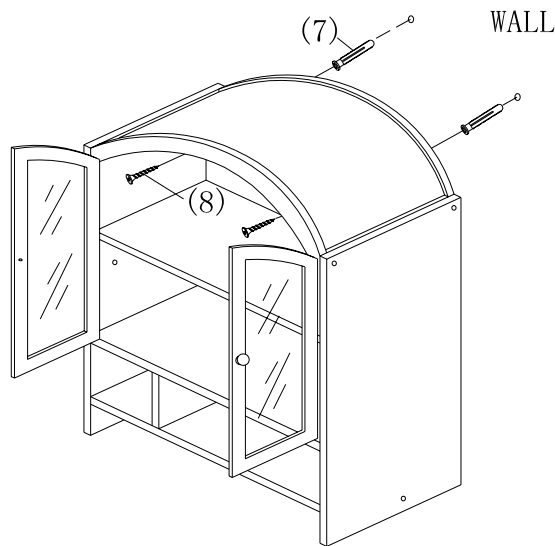


FIGURE 4

YOUR NEW WHITE ARCH-TOP WALL CABINET IS FINISHED AND READY TO USE.

Please count, identify and compare parts and hardware list to be sure all parts are present. It may help to divide parts and label them to correspond with part list. Extra hardware may be included. If any items are missing, please contact our parts/service department at (800) 633-5096 or in Dallas (972) 869-0111/ 9am – 4pm Mon-Fri Central time. Missing or damaged hardware and/ or parts will be replaced free of charge. WE DO NOT SELL PARTS. WE DO NOT RECOMMEND MODIFYING PRODUCT(S) AND WE ARE NOT RESPONSIBLE FOR ANY DAMAGES DUE TO PRODUCT MODIFICATION(S). If this product has not been purchased from our retail affiliates (within 9 months), we are under no obligation to provide parts or replacement merchandise. Parts will not be available for items arriving fully assembled.

PLEASE DO NOT OVERTIGHTEN CAMLOCKS!

PARTS REPLACEMENT FORM

STYLE NO: **BE6622**

Customer Name

PARTS
LETTER

PART
DESCRIPTION

QUANTITY
NEEDED

Street, City, State, Zip

Phone#



Please indicate where you purchased this item.
Store/website/catalog

/ /
Please indicate color/size/style number

SOUTHERN ENTERPRISES INC.
P.O. Box 59996 Dallas, Texas 75229

/ /

