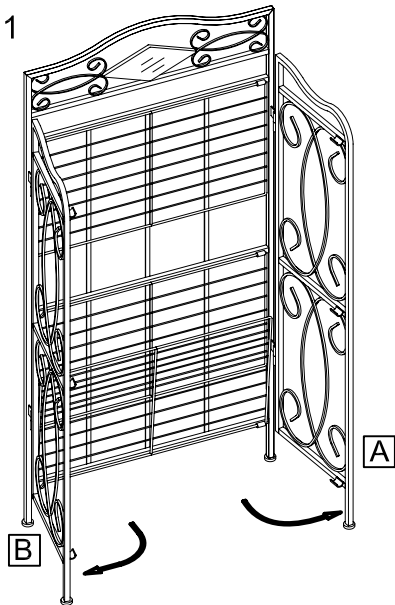


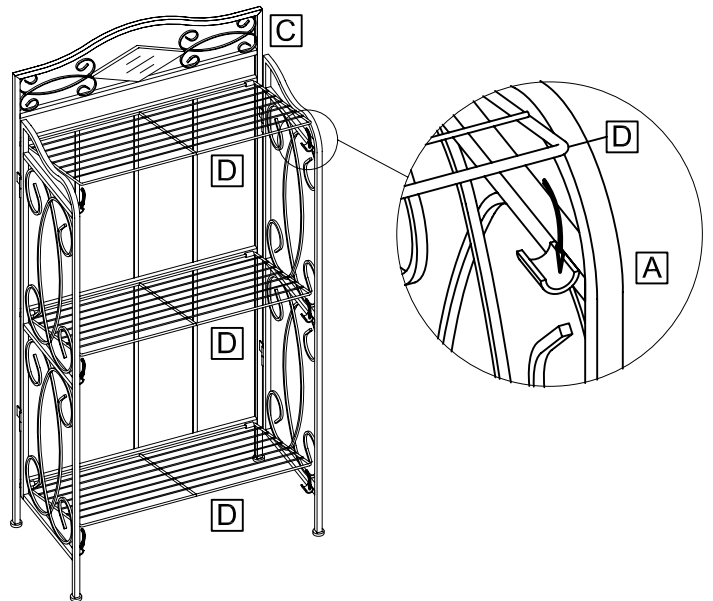


SOUTHERN ENTERPRISES INC.  
**SEI# BE3523**  
**REFLECTIONS 3 -TIER RACK**  
 (ASSEMBLY INSTRUCTIONS)

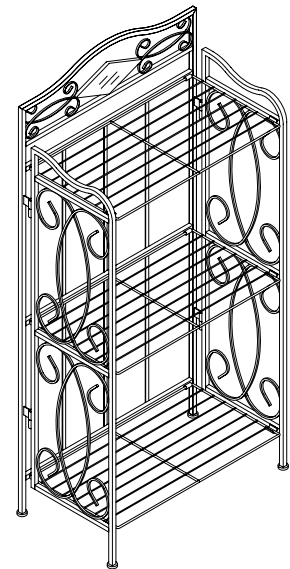
STEP 1



STEP 2



NO.	DESCRIPTION	Q'TY
A		1
B		1
C		1
D		3



COMPLETE UNIT

Please count, identify and compare parts and hardware list to be sure all parts are present. It may help to divide parts and label them to correspond with part list. Extra hardware may be included. If any items are missing, please contact our parts/service department at (800) 633-5096 or in Dallas (972) 869-0111/ 9am - 4pm Mon-Fri Central time. Missing or damaged hardware and/ or parts will be replaced free of charge. WE DO NOT SELL PARTS. WE DO NOT RECOMMEND MODIFYING PRODUCT(S) AND WE ARE NOT RESPONSIBLE FOR ANY DAMAGES DUE TO PRODUCT MODIFICATION(S). If this product has not been purchased from our retail affiliates (within 9 months), we are under no obligation to provide parts or replacement merchandise. Parts will not be available for items arrived fully assembled.

**PARTS REPLACEMENT FORM**

Style No. BE3523  
 Customers Name

Street, City, State, Zip

Phone#

PARTS LETTER      PART DESCRIPTION      QUANTITY NEEDED

Please indicate where you purchased this item.  
 Store/website/catalog

Please indicate /color/ size/style number.



SOUTHERN ENTERPRISES INC  
 P.O.Box59996 Dallas, Texas 75229