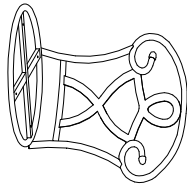
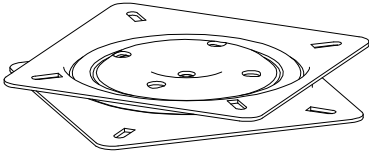
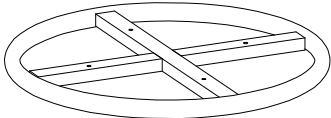
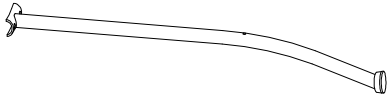
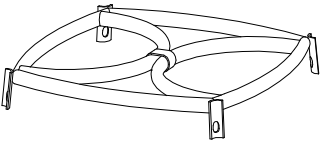
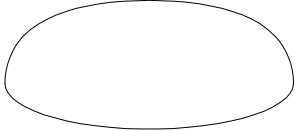
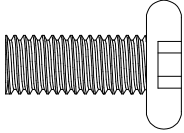
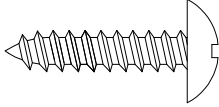
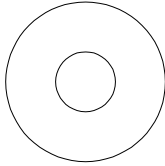





STYLE NO: BC696100TX  
BLACK FINISH  
BARSTOOL

SOUTHERN ENTERPRISES INC.  
RELAX... If you can follow a few easy, step-by-step directions  
in order. YOU CAN ASSEMBLE THIS ITEM.  
PLEASE FIND HARDWARE IN RED POLY BAG BEFORE DISCARDING PACKING MATERIAL.

PARTS LIST	
A 	B 
CHAIR BACK 1PC	SWIVEL 1PC
C 	D 
FRAME 1PC	LEG 4PCS
E 	F 
FOOT REST 1PC	CUSHION 1PC

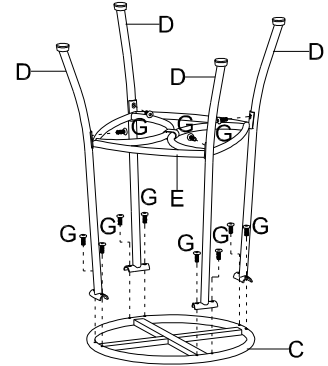
HARDWARE LIST	
(G) SCREW X20PCS 	(H) WOOD SCREW X4PCS 
(I) FLAT WASHER X8PCS 	(J) ALLEN WRENCH X1PC 

# ASSEMBLY INSTRUCTIONS

Do not tighten screws & bolts until the entire unit is completely assembled.

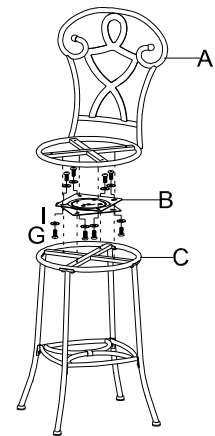
## FIGURE 1

Attach "D" Legs to "E" Foot Rest using "G" Screws, then attach To "C" Frame using "G" Screws.



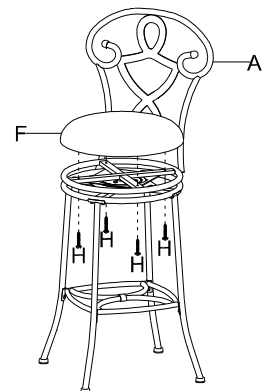
## FIGURE 2

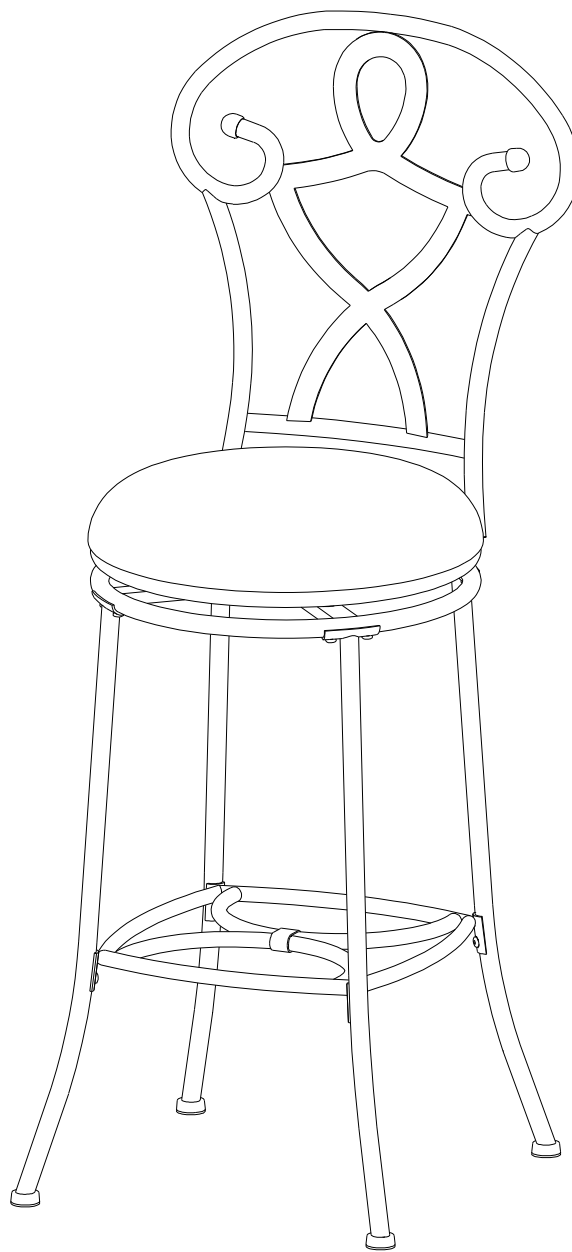
Attach "A" Chair Back to "B" Swivel using "G" Screws and "I" Flat Washers, then Attach Chair Back & Swivel assembly to the Bottom Frame using "G" Screws and "I" Flat Washers.



## FIGURE 3

Attach "F" Cushion to Chair Frame using "H" Wood Screws.





“WE WILL SHIP PARTS IF AVAILABLE” “ THIS IS NOT A WARRANTY”

Please count, identify and compare parts and hardware list to be sure all parts are present. It may help to divide parts and label them to correspond with part list. Extra hardware may be included, if any items are missing, please contact our parts/service department at (800) 633-5096 or in Dallas (972) 869-0111/9am-4pm Mon-Fri Central time. Missing or damaged hardware and/ or parts will be replaced free of charge. WE DO NOT SELL PARTS. WE DO NOT RECOMMEND MODIFYING PRODUCT (S) AND WE ARE NOT RESPONSIBLE FOR ANY DAMAGES DUE TO PRODUCT MODIFICATION (S). If this product has not been purchased from our retail affiliates (within 9 months), we are under on obligation to provide parts or replacement merchandise. Parts will not be available for items arriving fully assembled.

PARTS REPLACEMENT FORM

STYLE NO: BC696100TX

Customer Name

PARTS  
LETTER

PART  
DESCRIPTION

QUANTITY  
NEEDED

\_\_\_\_\_

Street, City, State, Zip

\_\_\_\_\_

Phone#

\_\_\_\_\_

\_\_\_\_\_



Please indicate Where you purchased this item.  
Store/ Website/ catalog

\_\_\_\_\_

SOUTHERN ENTERPRISES INC.  
P.O. Box 59996 Dallas, Texas 75229

Please indicate color / size / style number

\_\_\_\_\_

/ /