




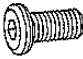

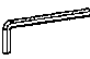
SOUTHERN ENTERPRISES INC.

BLK SQ TUBE DINING CHAIR


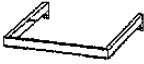



NOTE... This product has been engineered for easy assembly and constructed for durability
 Now please take time to read through and follow assembly instructions.

STYLE NO. BC4637

HARDWARE LIST FOR 2 CHAIRS

1 	2 	3 	4 
ALLEN BOLT 4PCS	ALLEN BOLT 32PCS	WOOD SCREW 8PCS	WRENCH 1PC

PARTS LIST

A 	B 	C 
BACK FRAME 2PCS	SEAT FRAME 2PCS	LEG 4PCS
D 	E 	
BRACING PIECE 4PCS	CUSHION 2PCS	

Please count, identify and compare parts and hardware list to be sure all parts are present. It may help to divide parts and label them to correspond with part list. Extra hardware may be included. If any items are missing, please contact our parts/service department at (800) 633-5096 or in Dallas (972) 869-0111/ 9am - 4pm Mon-Fri Central time. Missing or damaged hardware and / or parts will be replaced free of charge. WE DO NOT SELL PARTS. WE DO NOT RECOMMEND MODIFYING PRODUCT(S) AND WE ARE NOT RESPONSIBLE FOR ANY DAMAGES DUE TO PRODUCT MODIFICATION(S). If this product has not been purchased from our retail affiliates (within 9 months), we are under no obligation to provide parts or replacement merchandise. Parts will not be available for items arrived fully assembled

PARTS REPLACEMENT FORM

STYLE NO: BC4637

Customer Name _____

PARTS LETTER

PARTS DESCRIPTION

QUANTITY NEEDED

Street, City, State, Zip _____

Phone# _____



SOUTHERN ENTERPRISES INC..
 P.O. Box 59996 Dallas, Texas 75229

Please indicate where you purchased this item.
 Store/website/catalog _____

_____/_____/_____
 Please indicate color/ size/ style number.

_____/_____/_____

ASSEMBLY INSTRUCTION

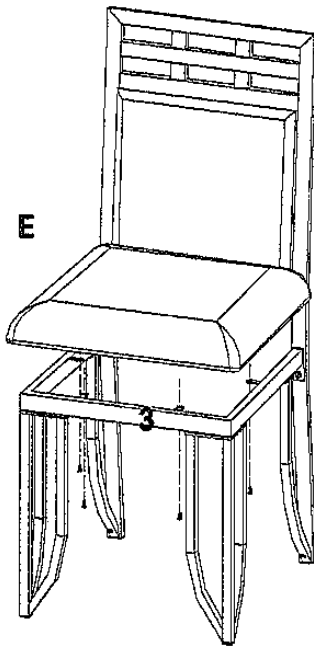
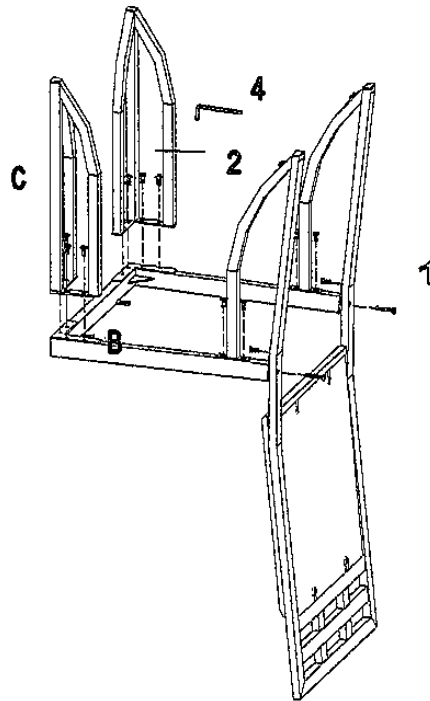
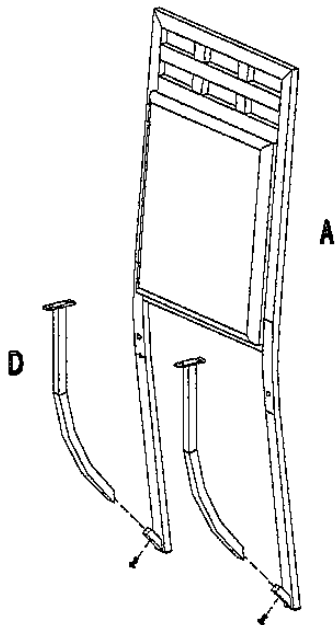
DO NOT TIGHTEN ANY BOLTS BEFORE ASSEMBLY COMPLETED.

- STEP 1: CAREFULLY OPEN THE BOXES AND TAKE OUT BACK FRAME (A) AND SEAT FRAME (B), TAKE OUT THE LEGS (C) AND THE BRACING PIECE(D) FROM THE INNER BOX.
- STEP 2 : ATTACH BRACING PIECE(D) TO THE BACK FRAME(A) WITH ALLEN BOLTS (1) USING WRENCH (4).
- STEP 3 : ATTACH LEGS(C) TO THE SEAT FRAME(B) WITH ALLEN BOLTS (1) ; ATTACH BACK FRAME(A) AND BRACING PIECE(D) TO THE SEAT FRAME(B) WITH ALLEN BOLTS(1) USING WRENCH(4).
- STEP 4: PLEASE TAKE OUT CUSHION (E), AND ATTACH IT TO THE SEAT FRAME (B) USING THE WOOD SCREW(3).
- STEP 5 : WHEN YOU FINALLY HAVE ALL PARTS ATTACHED TOGETHER AND PLEASE TIGHTEN ALL BOLTS.
REPEAT STEP 2 TO STEP 5 FOR THE OTHER CHAIRS.



SOUTHERN ENTERPRISES, INC
P.O. Box 59996 Dallas, Texas 75229

ASSEMBLY INSTRUCTION



YOUR BEAUTIFUL BLK
SQ TUBE DINING CHAIR IS
FINISHED AND ENJOY TO
USE.



SOUTHERN ENTERPRISES, INC
P.O. Box 59996 Dallas, Texas 75229

THIS PRODUCT IS NOT INTENDED FOR COMMERCIAL USE