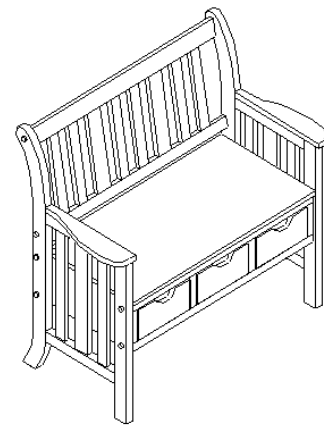




SOUTHERN ENTERPRISES INC.




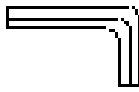






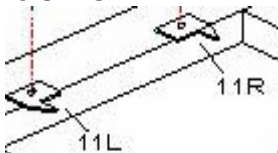

NOTE...This product has been engineered for easy assembly and constructed for durability
 Now please take time to read through and follow assembly instructions.

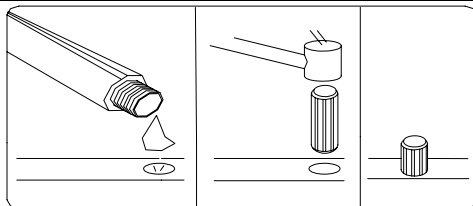


3-DRAWER COUNTRY BENCH

STYLE NO. BC 0044 OAK

HARDWARE LIST

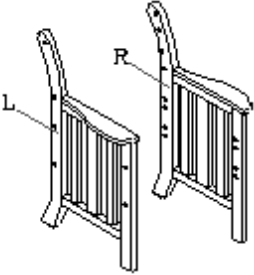
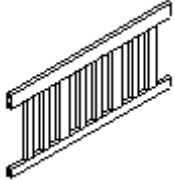
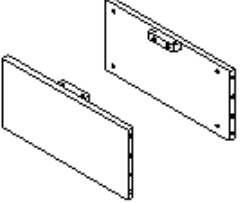
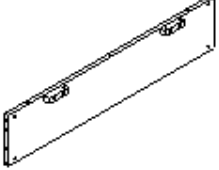
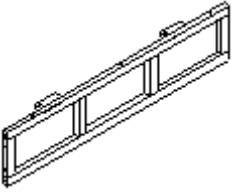

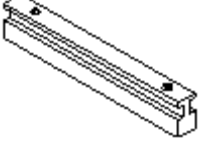
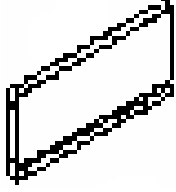

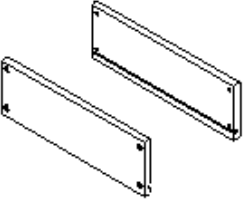
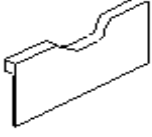
<p>1. Machine Screw 12PCS</p> 	<p>2. Wood Plug 12PCS</p> 	<p>3. Large Wood Screw 18PCS</p> 	<p>4. Allen Wrench 1PC</p> 
<p>5. Barrel Nut 12PCS</p> 	<p>6. Wood Dowel 30mm x 8mm, 32PCS</p> 	<p>7. Glue 1PC</p> 	<p>8. Medium Wood Screw 24PCS</p> 
<p>9. Plastic Drawer Support 3PCS</p> 	<p>10. Plastic Drawer Stop 3PCS</p> 	<p>11. Plastic Drawer Steady Frame – Left & Right 3 SETS</p> 	<p>12. Small Wood Screw 18PCS</p> 



APPLY GLUE INTO HOLES BEFORE WOOD DOWELL GOES INTO POSITION. PLEASE USE RUBBER-HEAD HAMMER ONLY, WHEN NEEDED.

Please count, identify and compare parts and hardware list to be sure all parts are present. It may help to divide parts and label them to correspond with part list. Extra hardware may be included. If any items are missing, please contact our parts/service department at (800) 633-5096 or in Dallas (972) 869-0111/ 9am – 4pm Mon-Fri Central time. Missing or damaged hardware and/ or parts will be replaced free of charge. WE DO NOT SELL PARTS. WE DO NOT RECOMMEND MODIFYING PRODUCT(S) AND WE ARE NOT RESPONSIBLE FOR ANY DAMAGES DUE TO PRODUCT MODIFICATION(S). If this product has not been purchased from our retail affiliates (within 9 months), we are under NO obligation to provide parts or replacement merchandise. Parts will not be available for items arrived fully assembled

PARTS LIST

<p>A. Armset (L&R) 1 Set</p> 	<p>B. Back Rail Panel 1PC</p> 	<p>C. Side Apron 2PCS</p> 	<p>D. Rear Apron 1PC</p> 
<p>E. Front Apron 1PC</p> 	<p>F. Seat Panel 1PC</p> 	<p>G. Wood Glide 3PCS</p> 	<p>H. Drawer Rear Panel 3PCS</p> 
<p>I. Drawer Bottom Panel 3PCS</p> 	<p>J. Drawer Side Panel 6PCS</p> 	<p>K. Drawer Front Panel 3PCS</p> 	

Parts will not be available for items arrived fully assembled

PARTS REPLACEMENT FORM

Style No. : BC0044 OAK,

Customer Name

Street, City, State, Zip Code

PARTS LETTER	PARTS DESCRIPTION	QUANTITY NEEDED
_____	_____	_____
_____	_____	_____
_____	_____	_____

Please indicate where you purchased this item.
Store/ website/ catalog



SOUTHERN ENTERPRISES INC.
P.O. Box 59996 Dallas, Texas 75229

Please indicate color/ size/ style number.
/ /

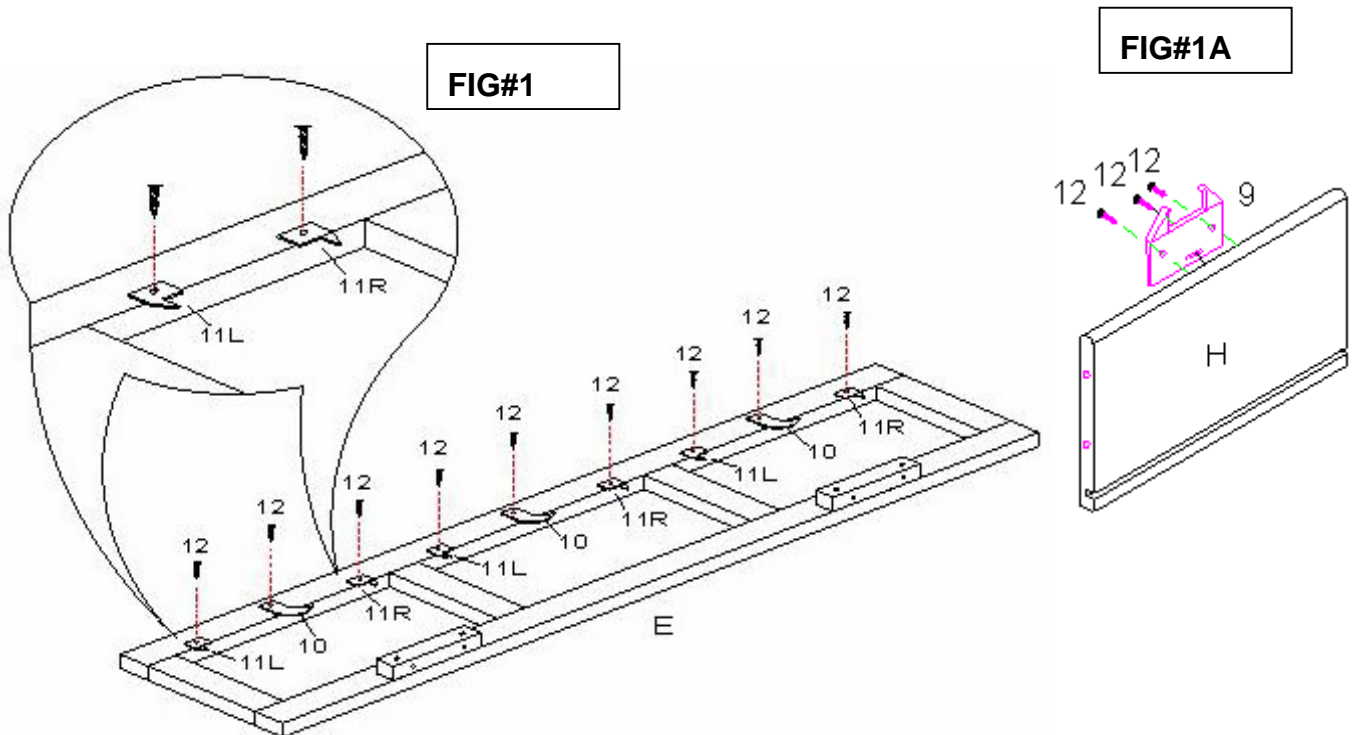
ASSEMBLE INSTRUCTION

STEP1.

ATTACH THE Plastic Drawer Stop (10) AND Plastic Drawer Steady Frames- Left (11-L)& Right (11-R).

PLEASE INSERT Small Wood Screw (12) THROUGH Plastic Drawer Stop (10) AND Plastic Drawer Steady Frames –Left (11-L) & Right (11-R), TO TIGHTEN TO Front Apron (E). **see FIG#1**

THEN PLEASE INSERT Small Wood Screw (12) THROUGH Plastic Drawer Support (9) TO TIGHTEN TO REAR-SIDE OF Drawer Rear Panel (H). **see FIG#1A**



STEP2. ATTACH Aprons (C) (D) (E),

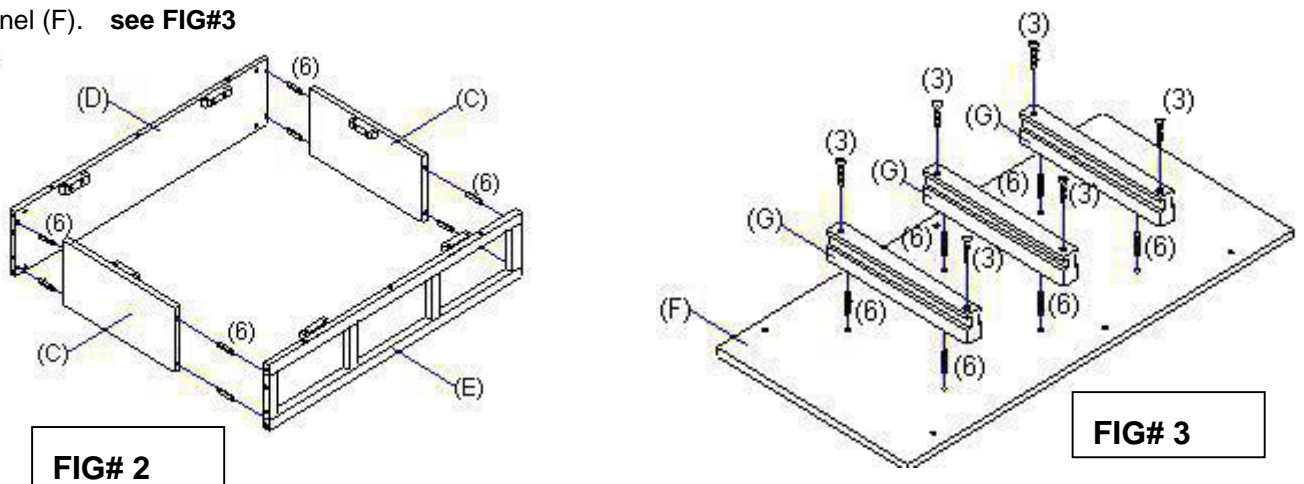
PLEASE APPLY GLUE INTO HOLES AND INSERT Wood Dowell (6) INTO HOLES ON BOTH ENDS OF Side Apron (C).

THEN INSERT THE OTHER END OF Wood Dowell (6) INTO HOLES ON Front Apron (E) AND Rear Apron (D).

NOW ALL PARTS BECOME A **Apron Storage Frame**. **see FIG#2**

STEP3. ATTACH Wood Glide (G) TO Seat Panel (F).

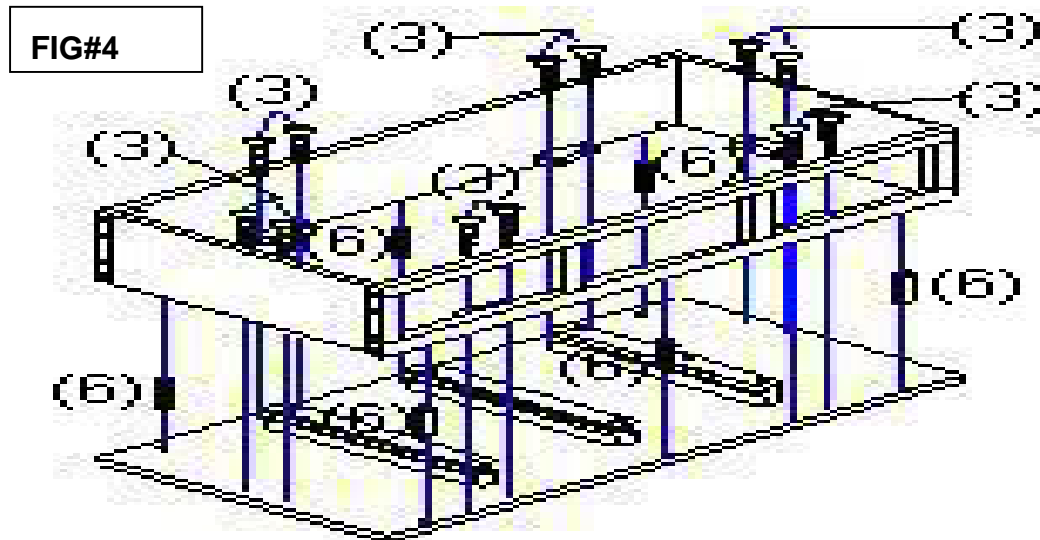
PLEASE INSERT Wood Dowell (6) INTO HOLES ON Wood Glide (G) THEN ATTACH TO HOLES ON Seat Panel (F) NEXT, PLEASE INSERT Large Wood Screw (3) THROUGH HOLES ON Wood Glide (G) TO TIGHTEN TO Seat Panel (F). **see FIG#3**



STEP4. ASSEMBLE Seat Panel (F) AND Apron Storage Frame TOGETHER.

PLEASE INSERT Wood Dowell (6) INTO HOLES ON Seat Panel (F), THEN ATTACH THE **Apron Storage Frame** ONTO Seat Panel (F) BY THE OTHER END OF Wood Dowell (6) GOES INTO HOLES ON Rear Apron (D), Front Apron (E).

NEXT, PLEASE INSERT Large Wood Screw (3) THROUGH HOLES OF **wood joint block** ON EACH Apron TO TIGHTEN TO Seat Panel (F). THEN ALL PARTS BECOME A **Storage Seat**. **see FIG#4**

**STEP5A. ATTACH Armset (A) TO Storage Seat**

PLEASE INSERT Wood Dowell (6) INTO HOLES ON BOTH Armsets (A), THEN ATTACH ONE OF THE Armset (A) TO **Storage Seat** BY THE OTHER END OF Wood Dowell (6) GOES INTO HOLES ON Rear Apron (D), Front Apron (E). **see FIG#5**

NEXT, PLEASE INSERT Barrel Nut (5) INTO HOLES ON Rear Apron (D), Front Apron (E). AND THEN PLEASE INSERT Machine Screw (1) THROUGH HOLES ON Armset (A), SEMI-TIGHTEN Machine Screw (1) TO Barrel Nut (5) TO SECURE Armset (A) TO **Storage Seat**.

STEP5B. ATTACH Back Rail (B) TO Armset (A)

ATTACH Back Rail (B) TO THE Wood Dowell (6) ON Armset (A), THEN PLEASE INSERT Barrel Nut (5) INTO HOLES ON Back Rail (B). NEXT, PLEASE INSERT Machine Screw (1) THROUGH HOLES ON Armset (A), SEMI-TIGHTEN Machine Screw (1) TO Barrel Nut (5) TO SECURE Back Rail (B) TO Armset (A). **see FIG#5**

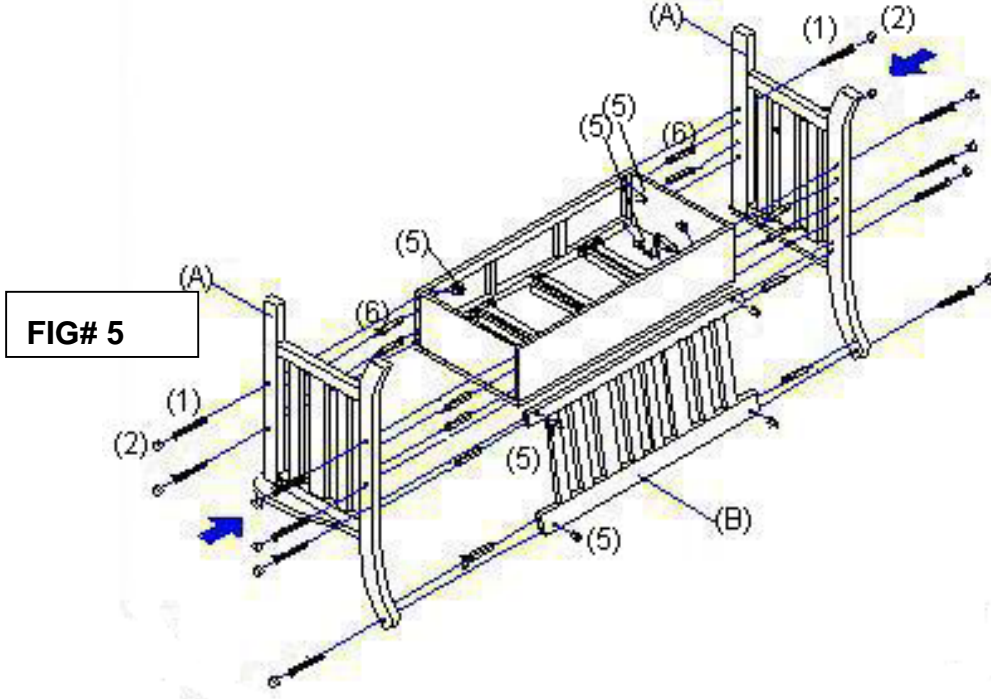
***** DOPULICATE STEP5A & STEP5B FOR THE OTHER Armset.*****

STEP6. ASSEMBLE Drawers

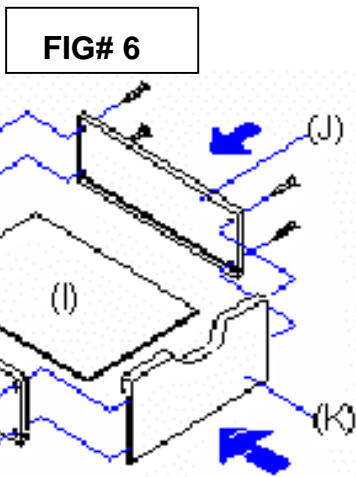
PLEASE INSERT Midium Wood Screw (8) THROUGH HOLES ON Drawer Side Panel (J) TO SECURE TO Drawer Rear Panel (H). THEN PLEASE INSERT Drawer Bottom Pane(I) INTO GROVE OF BOTH Drawer Side Panel (J) AND Drawer Rear Panel (H). THEN INSERT Medium Wood Screw (8) THROUGH HOLES ON Drawer Side Panel (J) TO SECURE Drawer Front Panel (K), Drawer Bottom Pane(I) SHOULD GOES INTO GROVE OF Drawer Front Panel (K).THEN TIGHTEN ALL Medium Wood Screw (8) **see FIG# 6**

STEP 7 INSERT 3 DRAWER TO THE SEAT FRAME. **See FIG# 7**. THEN CHECK ALL PARTS ARE CORRECTLY IN POSITION BEFORE TIGHTEN Machine Screw (1) TO Barrel Nut (5) ON STEP 5A, 5B.

INSERT Wood Plug (2) TO BOTH Armsets (A). **see FIG# 5**

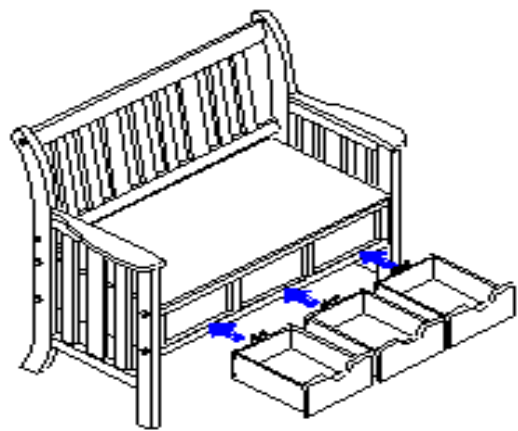


FIG# 5



FIG# 6

FIG# 7



YOUR BEAUTIFUL 3-DRAWER COUNTRY BENCH IS FINISHED AND READY TO USE.

THIS PRODUCT IS NOT INTENDED FOR COMMERCIAL USE.



SOUTHERN ENTERPRISES, INC
P.O. Box 59996 Dallas,
Texas 75229