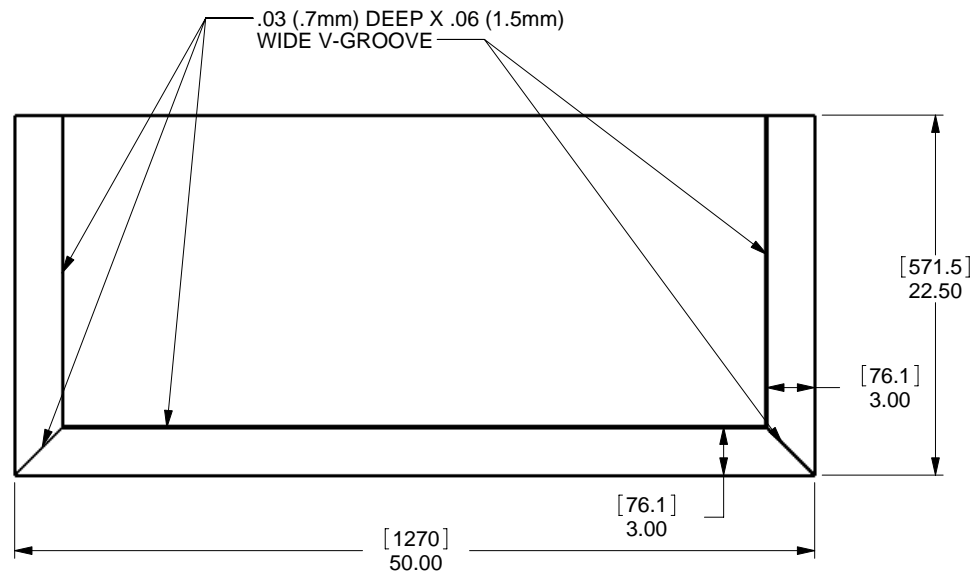
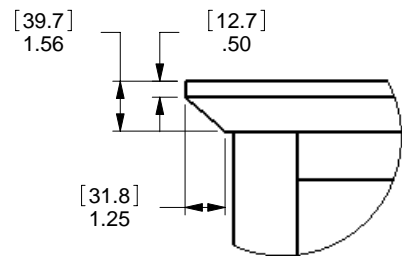


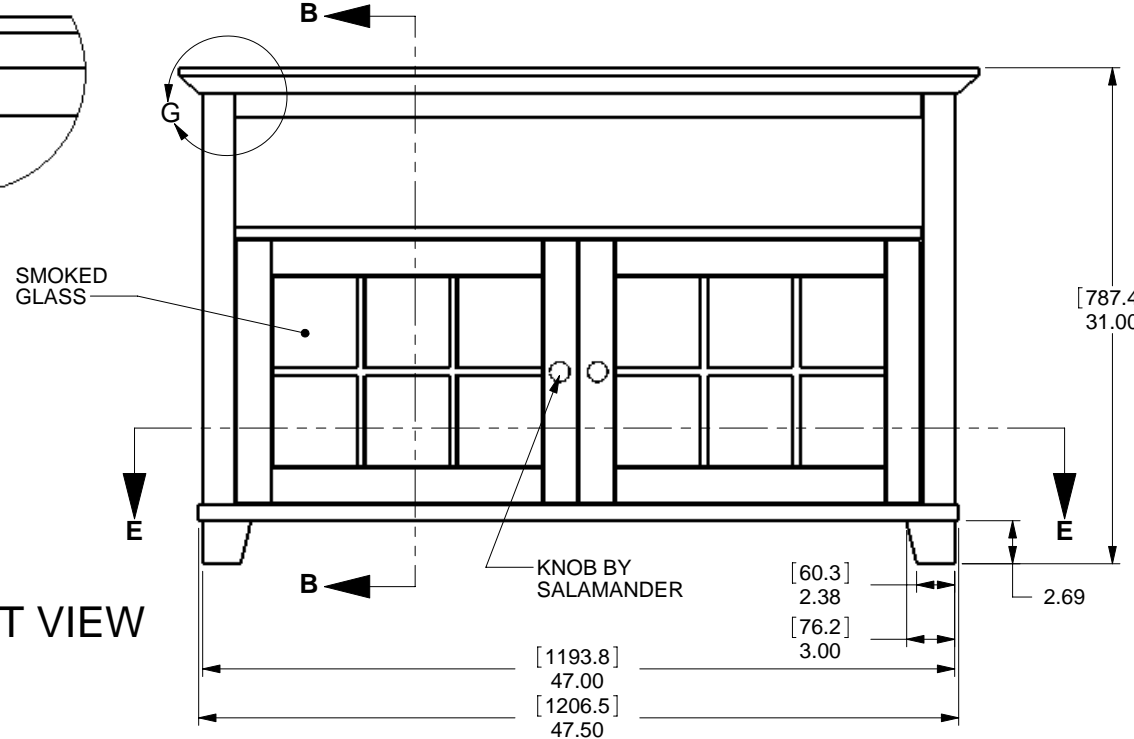
TOP VIEW



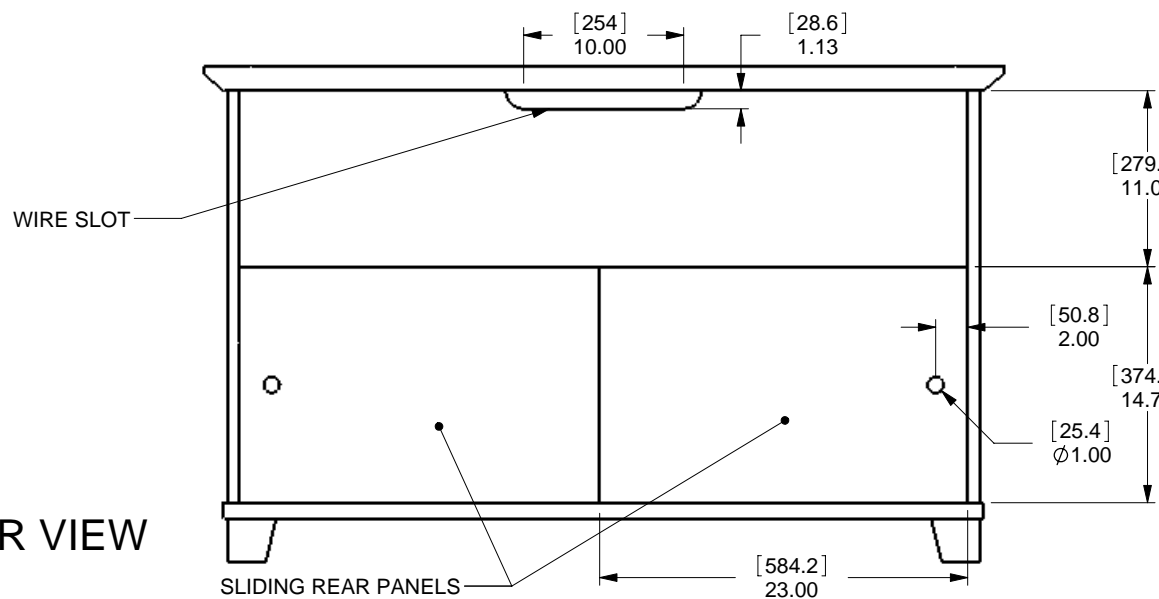
DETAIL G
SCALE 1 : 6



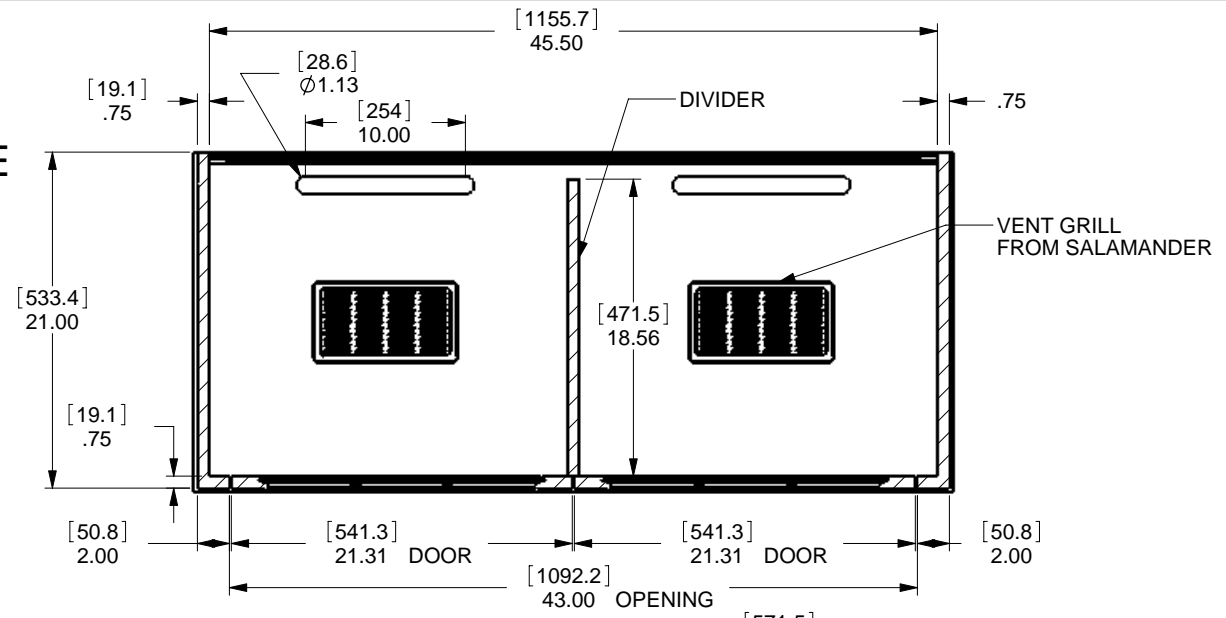
FRONT VIEW



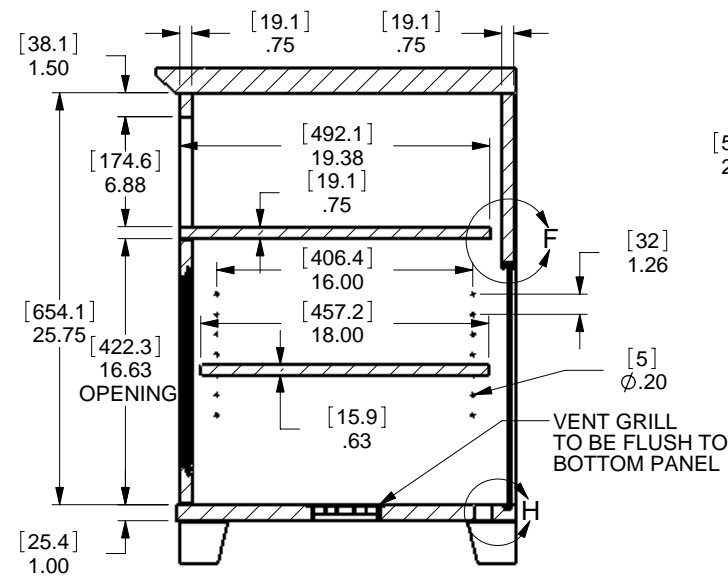
REAR VIEW



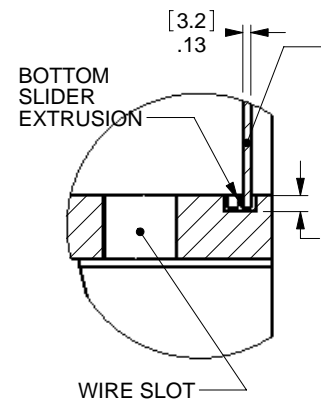
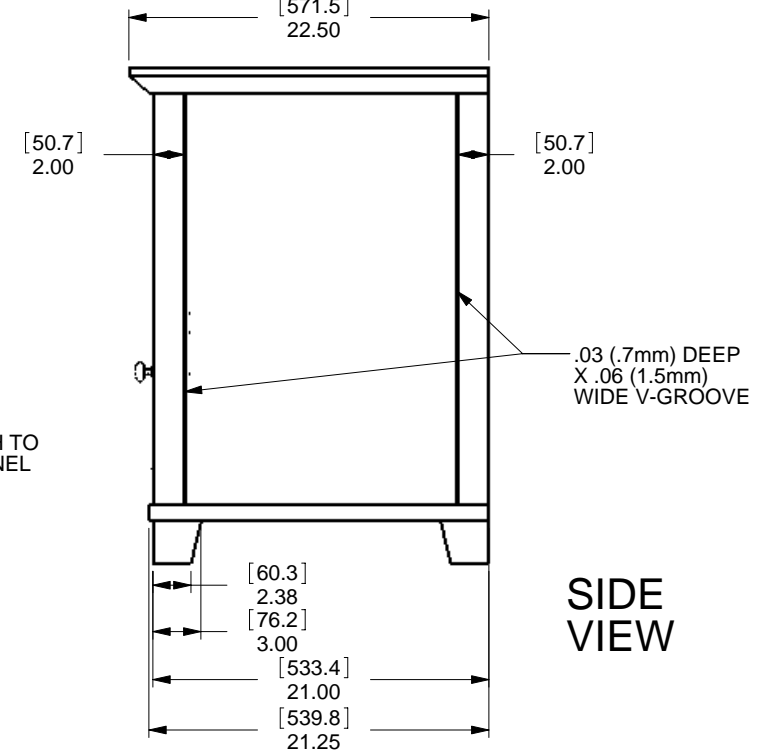
SECTION E-E



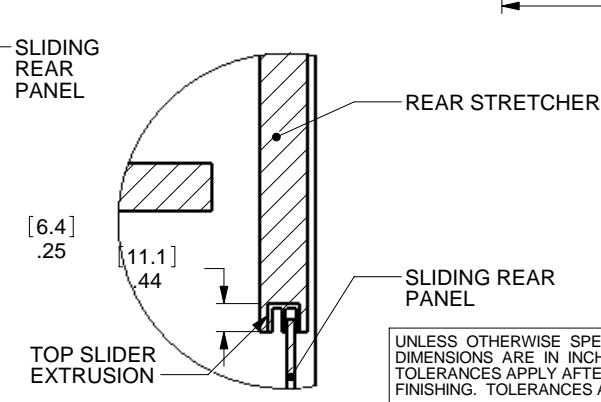
SECTION B-B



SIDE VIEW



DETAIL H
SCALE 1 : 3



DETAIL F
SCALE 1 : 3

MATERIAL - TBD
FINISH - TBD
HINGE HARDWARE - TBD

UNLESS OTHERWISE SPECIFIED
DIMENSIONS ARE IN INCHES
TOLERANCES APPLY AFTER
FINISHING. TOLERANCES ARE:
FRACTIONS DECIMALS ANGLES
+/- .015 .XX +/- .01 +/- 0.5
.XXX +/- .005

Nexus Design, Inc
1 Jacks Hill Road Oxford, CT 06478
Phone: 203-888-1564
Fax: 203-888-1568
www.nexusdesignllc.com



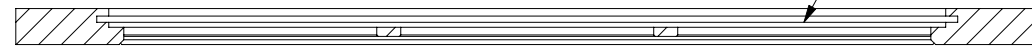
Salamander Designs
Interface 4H Twin30

DWG. NO. SDI-4H329 REV. p1.0

MATERIAL See Note 1
FINISH See Note 2
CAD FILE: SDI-4H329 interface 4H twin30
SCALE: 1:12

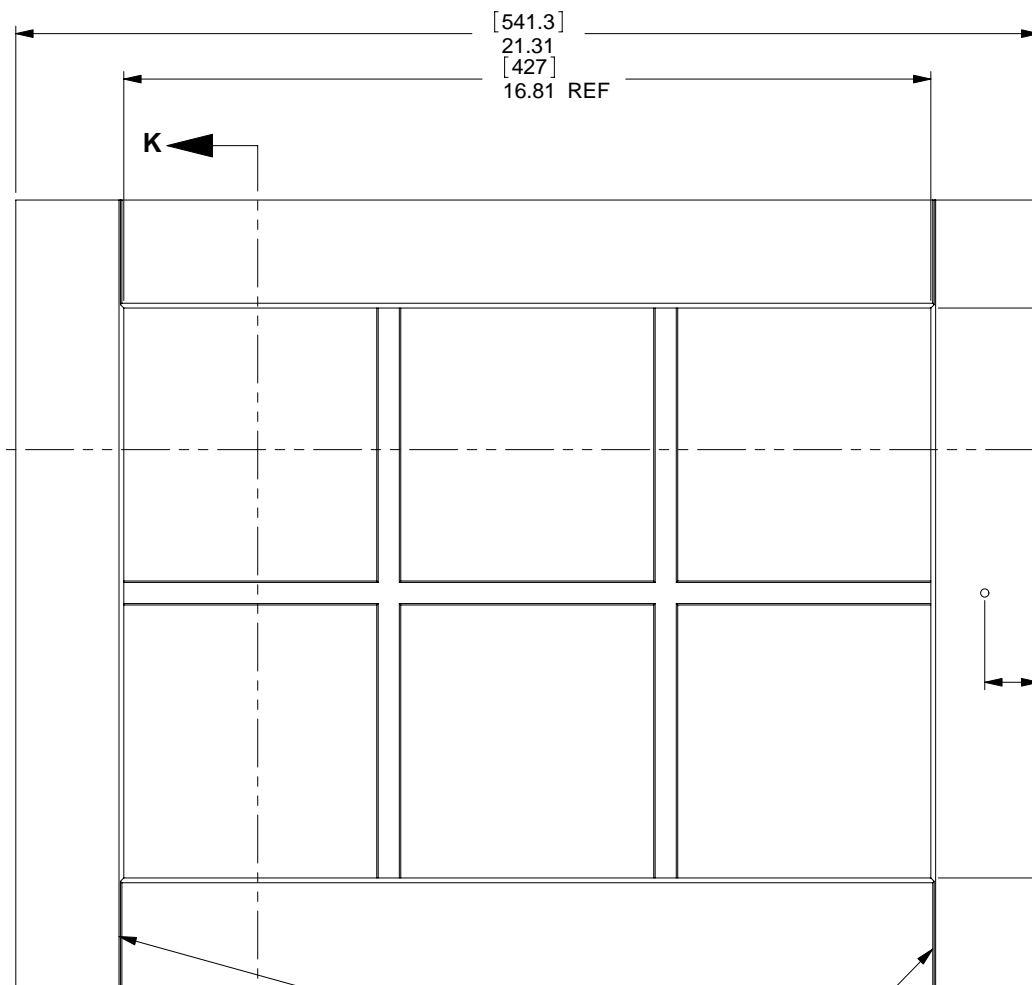
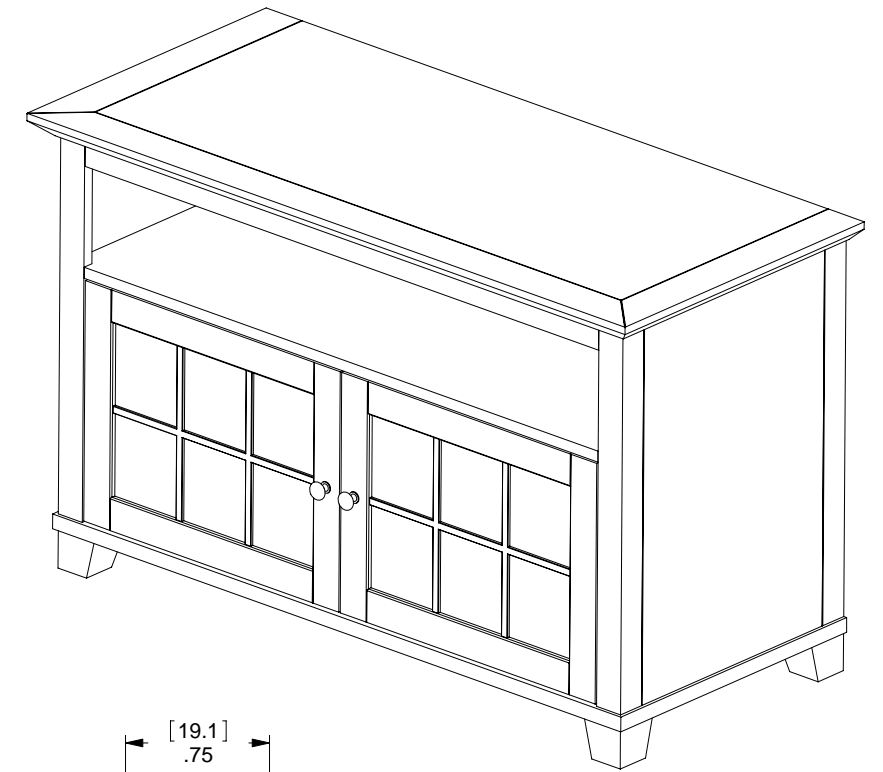
SIZE B DESIGN - DATE 1feb08 SHEET 1 of 2

SECTION L-L
SCALE 1 : 4

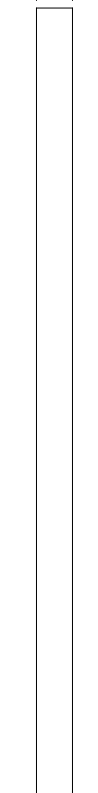


NOTE - USE SALAMANDER SPLINE TO HOLD IN
.125 (3.1mm) x 12.38 (314.3mm) x 17.31 (439.7mm) GLASS

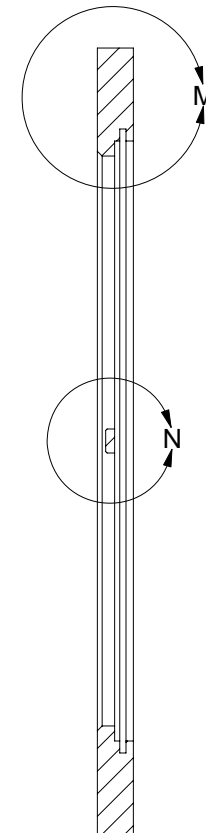
TOP VIEW



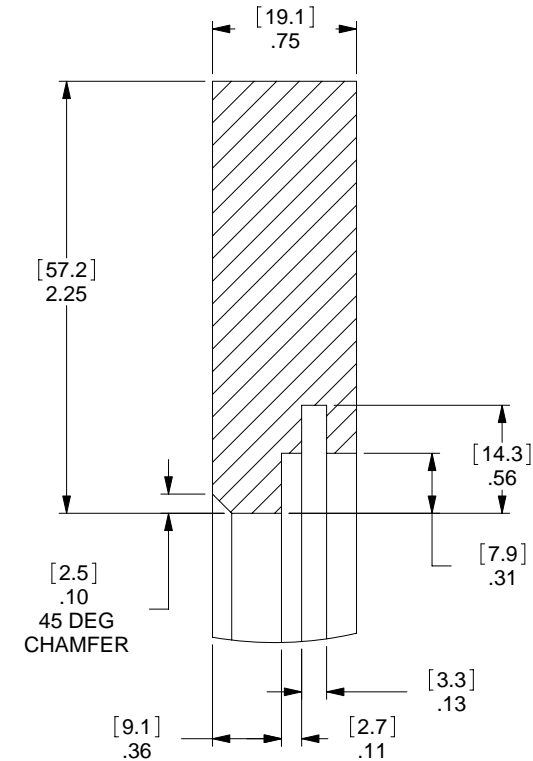
SIDE VIEW



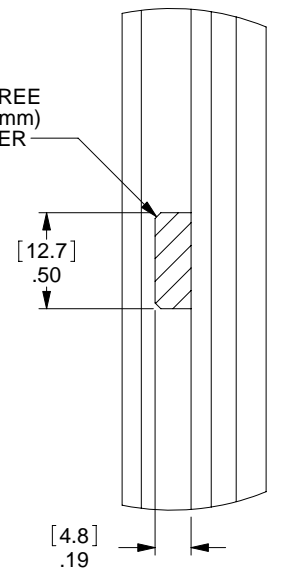
SECTION K-K
SCALE 1 : 4



DETAIL M
SCALE 1 : 1



DETAIL N
SCALE 1 : 1



FRONT VIEW

UNLESS OTHERWISE SPECIFIED
DIMENSIONS ARE IN INCHES
TOLERANCES APPLY AFTER
FINISHING. TOLERANCES ARE:
FRACTIONS DECIMALS ANGLES
+/- .015 .XX +/- .01 +/- 0.5
.XXX +/- .005

Nexus Design, llc
1 Jacks Hill Road Oxford, CT 06478
Phone: 203-888-1564
Fax: 203-888-1568
www.nexusdesignllc.com



MATERIAL
See Note 1

FINISH
See Note 2

CAD FILE: SDI-4H329 interface 4H twin30

SCALE: 1:12

Salamander Designs
Interface 4H Twin30

DWG. NO. **SDI-4H329** REV. **p1.0**

SIZE **B** DESIGN **-** DATE **1feb08** SHEET **2 of 2**