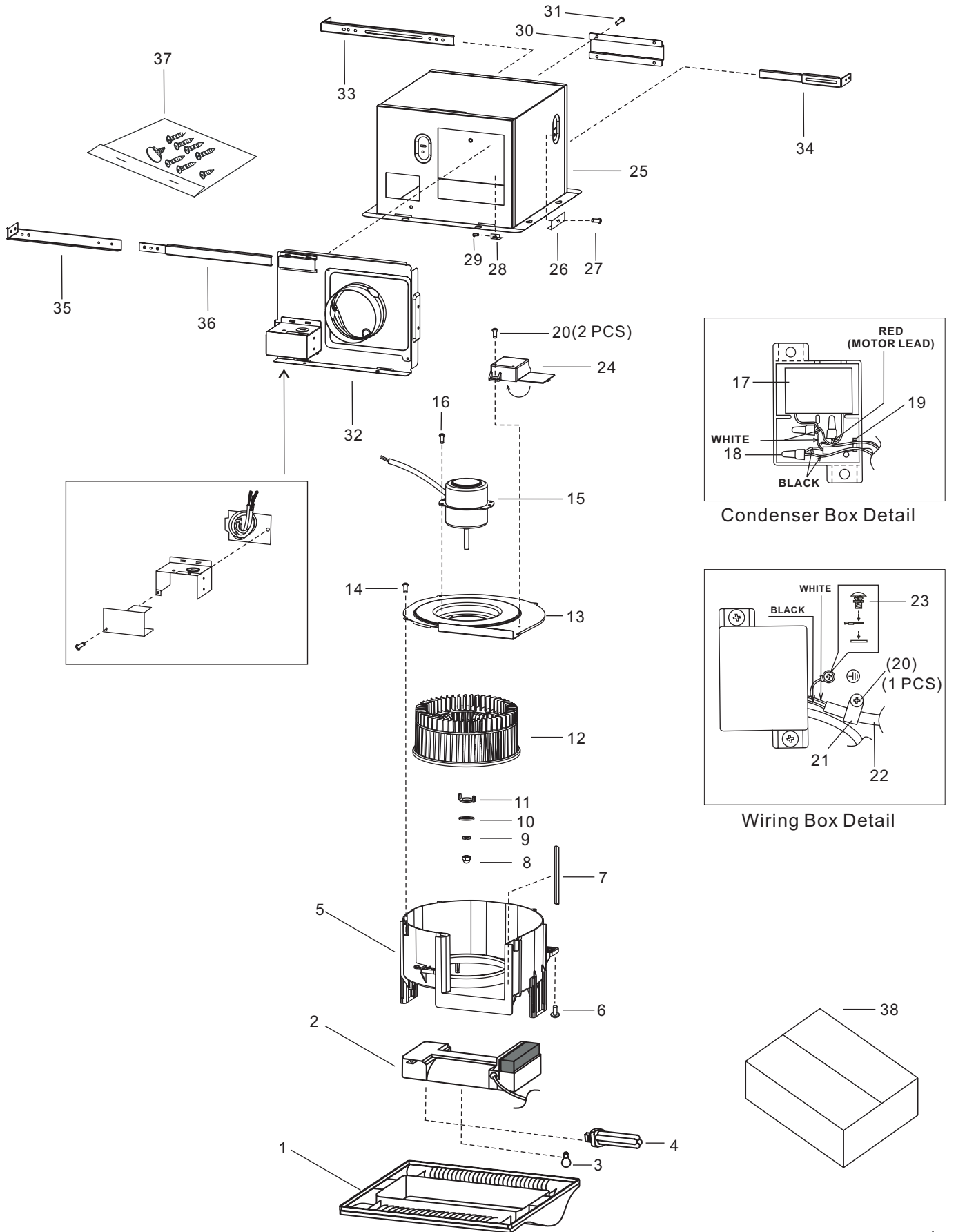


1 Parts Identification

FV-08/11/15VQL4



2 Parts List

FV-08/11/15VQL4

Ref No.	Part No.	Part Name	Q'ty	Remark
1	FFV3400047S	Louver Assembly	1	
2	FFV3460002S	Lighting Unit Assembly	1	⚠
3	FFV3420005S	Lamp	1	⚠
4	FFV3420007S	Lamp	2	⚠
5	FFV0790026S	Casing Assembly	1	⚠
6	FFV7000065S	Screw	3	For Fix Casing On Casing Support
7	FFV4610002H	Packing	4	For Casing & Motor Support
8	FFV7020010S	Blade Cap Nut	1	
9	FFV7010003S	Spring Washer	1	
10	FFV7010012S	Plain Washer	1	
11	FFV4670003S	Blade Set Plate	1	
12	FFV0400062S	Blade	1	⚠
13	FFV3730015S	Motor Support	1	
14	FFV7000063S	Truss Pc Screw	5	Fix Motor Support To Casing
15	FFV3700179S	Motor Assembly	1	For 08VQL4 ⚠
(15)	FFV3700180S	Motor Assembly	1	For 11VQL4 ⚠
(15)	FFV3700177S	Motor Assembly	1	For 15VQL4 ⚠
16	FFV7000025S	Truss Tap Screw	4	For Fix Motor
17	FFV0750114S	Condenser	1	For 08VQL4 ⚠
(17)	FFV0750115S	Condenser	1	For 11VQL4 ⚠
(17)	FFV0750116S	Condenser	1	For 15VQL4 ⚠
18	FFV0900001H	Connector	3	
19	FFV2530001S	Insulock Tie	1	
20	FFV7000009S	Truss Tap Screw	3	
21	FFV0740007H	Cord Clip	1	⚠
22	FFV0730016S	Cord	1	
23	FFV7030001S	Screw Assembly	1	For Earth
24	FFV0760028S	Condenser Box	1	⚠
25	FFV1600049S	Frame Assembly	1	
26	FFV0800001S	Casing Support	3	
27	FFV7000064S	Screw	3	
28	FFV0420016S	Bracket	1	
29	FFV7000064S	Screw	4	
30	FFV0420013S	Bracket Cover	1	
31	FFV7000018S	Truss Tap Screw	4	
32	FFV0000020S	Adapter Assembly	1	For 08/11VQL4
(32)	FFV0000021S	Adapter Assembly	1	For 15VQL4
33	FFV0420001H	Bracket	1	
34	FFV5710011S	Suspension Plate 2	1	
35	FFV0420015S	Bracket	1	
36	FFV0420014S	Bracket	1	
37	FFV0010064S	Accessory	1	
38	FFV9000144S	Carton Case and bar code label	1	For 08VQL4
(38)	FFV9000145S	Carton Case and bar code label	1	For 11VQL4
(38)	FFV9000146S	Carton Case and bar code label	1	For 15VQL4