



RS 45000

Residential Standby GenSet

Model 42 GGFE

Model 47 GGFE

Gaseous Fueled 60 Hz



Residential GenSet

Extremely Quiet Operation - 66.3 dB(A) at 7 m
Fully Automatic Operation when used with an Onan Automatic Transfer Panel

Available for use with Natural Gas or LP Vapor
Attractive and Discreet Sound Attenuated Housing
Electronic Governor for Precise Frequency Control
Includes 120V Coolant Heater
Listed to UL 2200

Models and Ratings

<u>Order Model</u>	<u>Fuel</u>	<u>Voltage</u>	<u>Rated kW</u>	<u>kVa</u>	<u>Rated Amps</u>	<u>Circuit Breaker</u>
42GGFE	Nat. Gas	120/240	42	42	350/175	175-Amp, 2-Pole
47GGFE	LP Vapor	120/240	47	47	392/196	200-Amp, 2-Pole

Ratings apply to altitudes up to 3500 ft (1829 m), 85° F (30° C). Total Power available will decrease 5% for each 1000 ft (305 m) above sea level and 1.0% for each 10° F (5.5° C) increase in ambient temperature above 85° F (30° C)

Weight, Size and Sound Level

- 2668 lb (1160 kg) Natural Gas, 2752 lb (1197 kg) LP
- Length: 101.5 in (2578 mm); width: 41.3 in (1049 mm); height: 71.8 in (1824 mm)
- 66.3 dB(A) at 7 m, average

Engine Facts

Engine: Ford, industrial, spark-ignited
Design: 6-cylinder V, liquid-cooled
Compression Ratio: 9.3
Displacement: 256 cu in (4.2 L)

Cooling System: 104° F ambient cooling system
Oil Sump Capacity: 6 qt
Operating Speed: 1800 RPM

Engine Features

- Electronic ignition
 - Electronic governor
 - Full-pressure lubrication
 - High-capacity oil sump, spin-on oil filter
 - Solenoid shift starter
 - 37-amp, engine-driven battery charger
 - 120V Coolant heater
-

Exhaust Muffler

- Enclosed exhaust silencer
 - Low noise
-

Control System Features

- Automatic remote starting
 - Controls generator set starting and shutdown
 - Control components designed to withstand the vibration levels typical in generator sets
 - Field circuit breaker
 - High temperature, low oil pressure, overcrank and overspeed shutdowns
 - Running time meter
 - UL-listed circuit breaker
 - DC control fuse
-

Generator Details

Design: Brushless, revolving field, 4-lead, single phase design

Insulation System: Class H per NEMA MG1-1.65

Temperature Rise: At rated load is less than 125° C at standby rating, per NEMA MG1.22.40, IEEE 115 and IEC 34-1

Exciter Type: The excitation system derives its power from the main output of the generator, eliminating the need for a separate excitation power source

Alternator Cooling: Direct drive centrifugal blower

Rotor: Supported by a pre-lubricated maintenance-free ball bearing

GenSet Performance

Voltage: 120/240 VAC, single phase, 1.0 pf

Voltage Regulation: 1%, no load to full load

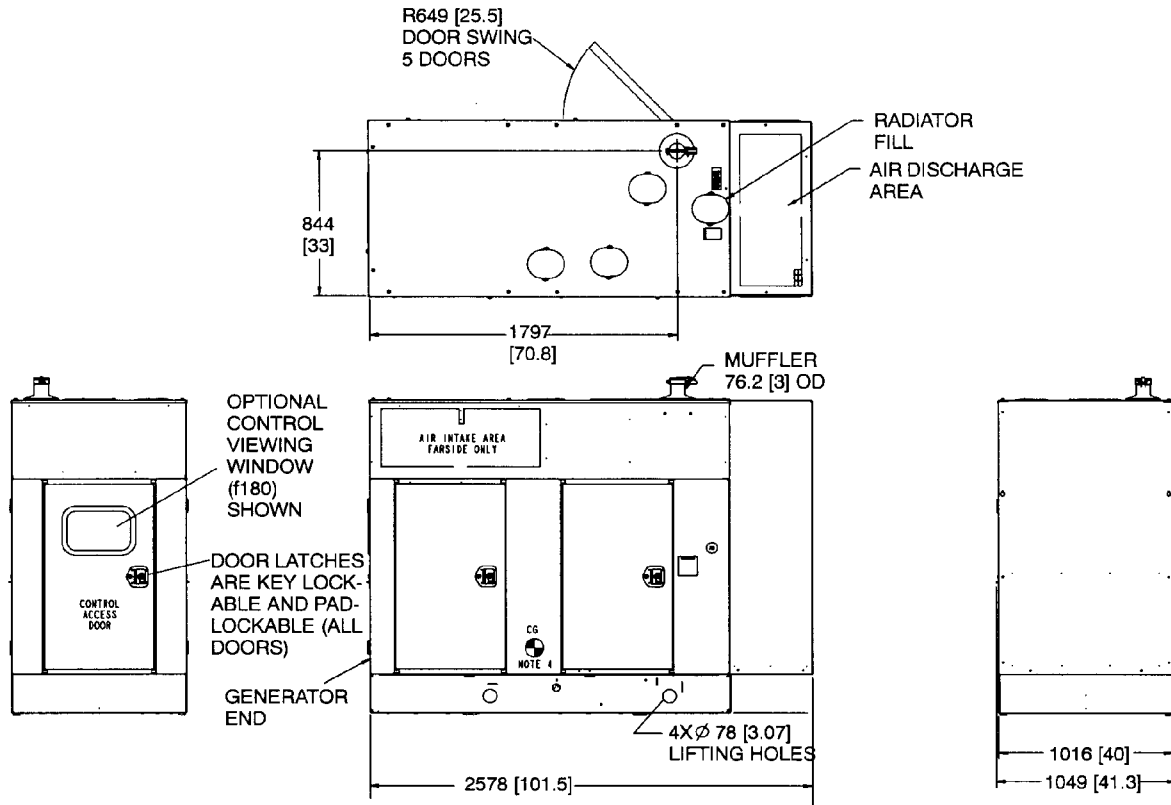
Frequency Regulation: Isochronous, 0% no load to full load

Operating Temperature: -20° F (-28.8° C) to 122° F (50° C)

Fuel Consumption

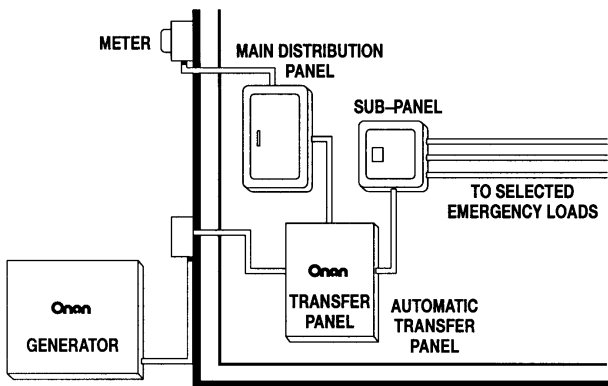
<u>Natural Gas</u>	<u>ft³/hr</u>	<u>m³/hr</u>	<u>LP Vapor</u>	<u>ft³/hr</u>	<u>m³/hr</u>	<u>gal/hr</u>	<u>L/hr</u>
25% Load:	212	6.0	25% Load:	89	2.5	2.4	9.1
50% Load:	325	9.2	50% Load:	132	3.7	3.6	13.6
75% Load:	430	12.2	75% Load:	174	4.9	4.8	18.2
Full Load:	561	15.9	Full Load:	219	6.2	6.0	22.7

Basic Dimensions

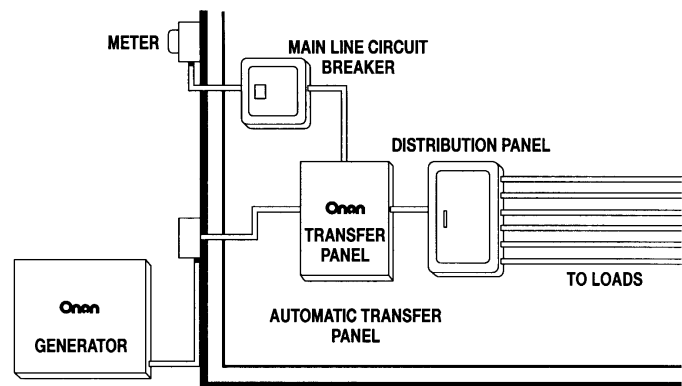


Drawing Reference Number 0500-3167

Automatic Transfer Panel Configurations



Dedicated Emergency Standby Service System



Full-Service Rating Standby System

Housing Features

- Sound attenuated, weather protective design, key-lockable service access doors
- Internal starting battery tray and tie down
- Heavy-duty steel housing, stainless steel fasteners

Options and Accessories

- Battery, 12 V, 620 cca (Part #416-0823)
- Battery heater kit (Part #333-0469)
- Full line of complementing automatic transfer panels

Warranty Policy

The Onan RS 45000 Home Standby System comes with a standard one-year warranty. Additional two and five-year warranty options are available. See your certified distributor or dealer for details.

After Sale Support

GENUINE ONAN MAINTENANCE CARE PARTS AND PRODUCTS - For your ongoing satisfaction and the dependability of your Onan genset, Onan offers a complete line of parts, oil, and maintenance chemicals specifically designed for Onan gensets and available at your nearby Onan dealer.

EASY TO LOCATE CERTIFIED ONAN SERVICE AND PARTS DEALERS - Onan has trained, tested and certified over 1000 authorized Onan Service Dealers covering most major metropolitan areas in the U.S. and Canada. To easily locate the certified Onan Service Dealer no matter where you travel, call 1-800-888-ONAN or look in the yellow pages under "generators, electric".

See your distributor for more information



Cummins Power Generation
1400 73rd Avenue N.E.
Minneapolis, MN 55432
1-800-888-ONAN
Fax 763-574-5298
<http://www.cumminspowergeneration.com>

Onan is a registered trademark of Cummins Inc.



CSA-certified for electrical equipment. Meets CSA C22.2



Important: Backfeed to a utility system can cause electrocution and/or property damage. Do not connect to any building's electrical system except through an approved device or after building main switch is open. Standby Rating based on: Applicable for supplying emergency power for the duration of normal power interruption. No sustained overload capability is available for this rating. (Equivalent to Fuel Stop Power in accordance with ISO3046, AS2789, DIN6271, and BS5514.) Nominally rated. (See T-030 document for more information.)