



Turn your fireplace
into a work of

Art



*Architectural Cast
Stone Mantels*



Quality & Durability

Strength

We use a specially formulated compound of lightweight materials to get twice the strength of concrete without the brittleness, making our product far superior to any other architectural cast stone mantel. Easy to clean and maintain, our fireplaces and mantels are the pride of any interior setting.

Texture

A unique pigmentation process is used to bring out the natural coloration of authentic stone. Not only does it look grand, but also makes it more resistant to any surface damage.

Durability

The multi-stage production process builds in quality and durability at every level. Special treatments double seal the pores making them water repellent and able to resist staining more efficiently.



Napoleon® architectural cast stone surrounds combine centuries-old tradition with contemporary production techniques to make them truly one-of-a-kind masterpieces.

Choose from an array of designs, each with its own individual textures, colours and accents, to suit any décor. The look and feel of real stone without the weight makes installation quick, easy and cost-effective.

Transform your fireplace into a work of art. Visit www.napoleonfireplaces.com today to find an authorized dealer near you or call 705.721.1212
Fax: 705.722.6031
www.napoleonfireplaces.com

Napoleon® offers a complete line of high efficiency gas fireplaces and Napoleon's® Fireplace Design Studio allows you to choose the perfect fireplace and mantel combination for your home.

www.fireplacedesignstudio.com



Chelmsford

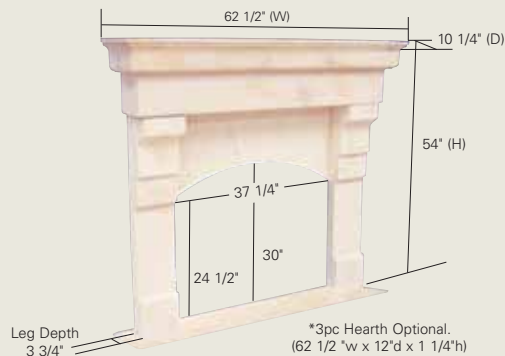


Beautifully hand crafted to complement Napoleon's® Madison™ fireplace with either traditional rectangular or romantic arch opening.



Stratford Limestone

The warm beige tones will complement any decor.



Compatible with model:
GD80, The Madison™

Go to fireplacedesignstudio.com to preview the Chelmsford and Madison™ fireplace in your home.



Mondovi



With a stone-sculpted finish accented by beautiful patterns, the Mondovi exudes royalty and class.

Compatible with model:

36 Series

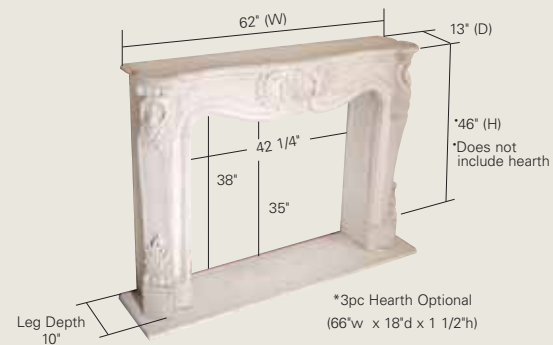
*Filler kits are required.

Choose the perfect fireplace for your Mondovi mantel.



Niagara Limestone

Add a touch of regal excellence as seen in the palatial residences of France.



Marcella



The look of authentic stone, gracefully curved into a mantel arch, gives the Marcella a chic and glamorous appeal.



Stratford Limestone

The perfect centerpiece of a living room that's out of the ordinary.



Compatible with models:

*70, 42, *36 & *33/34 Series

*Filler kits are required.

Choose the perfect fireplace for your Marcella mantel.



Brienne



The Brienne features straight refined legs, precisely carved with crisp clean lines and inlay detail.

Compatible with models:

*36 & *33/34 Series

*Filler kits may be required.

Choose the perfect fireplace for your Brienne mantel.



Stratford Limestone

Tall and stately, it makes an unmistakable statement of class in your living room.



Masena



The Masena impresses with its smooth, contoured texture. The adjustable design allows for a wide range of fireplace applications.



Niagara Limestone

Designed for affordable elegance, the Masena makes a refined statement.



Compatible with models:

70, 42, 36, 33/34 Series

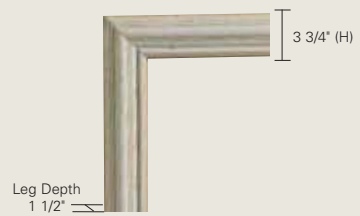
The centre keystone and legs on this model are adjustable to allow for multiple fireplace openings.

Choose the perfect fireplace for your Masena mantel.





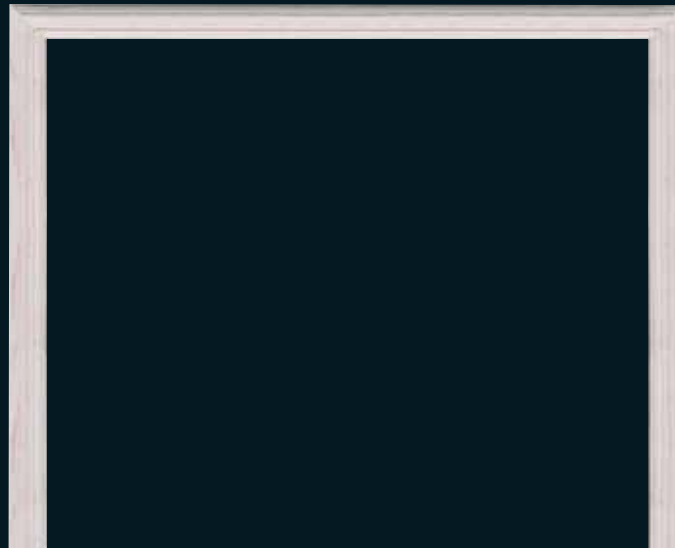
Stratford Limestone



Trim Kit



3'x6' Waterfall



3'x3' Waterfall



2'x3' Waterfall



Available Fall 2006

Handcrafted and designed with the same quality materials and procedures as Napoleon® Architectural Cast Stone Mantels, these versatile trim kits instantly and easily add the finishing touch to your fireplace, waterfall or combination of both.

**Compatible with
waterfall collection:**

2'x3', 3'x3', 3'x6'

Fireplace models;
33/34, 36 series



Aveiro

JURASTone Architectural Carved Mantel



Coated with a textured scratch and stain resistant 'Tuscany' finish, this natural marble is hand carved to achieve precisely defined contours and profiles, adding elegance and genuine craftsmanship to your fireplace and home.

Compatible with models:

*70, 42, *36 Series

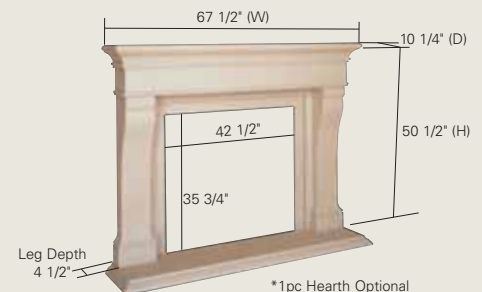
*Filler kits are required.

Choose the perfect fireplace for your Aveiro mantel.



Tuscany

With its clean lines and smooth texture, it is the pride of any interior décor.



*1pc Hearth Optional
(67" w x 13 5/8" d x 2 1/2" h)

Anatomy of a Fireplace & Mantel Surround

Header

The area below the mantel shelf, often with delicate carving on it.

Leg

One of the two vertical columns on either side of a fireplace.

Hearth

Fits beneath mantel surround, extending out into the room.
Note: Addition of hearth will raise total height.

Mantel Shelf

A flat horizontal slab jutting from the wall for displaying art pieces.

Filler Kit

Beautifully balances to transition seamlessly from the fireplace to the surround.

The Fireplace



Other Napoleon® Products



Fireplace Inserts



Outdoor Living Products



Oil Stoves



Cast Iron Gas Stoves



Waterfall Collection



Vent Free Fireplaces



Electric Fireplaces



Direct Vent Gas Fireplaces



Gourmet Grills

- 103 Miller Drive, Crittenden, Kentucky, USA 41030
- 24 Napoleon Road, Barrie, Ontario, Canada L4M 4Y8
- 7200 Trans Canada Highway, Montreal, Quebec, Canada H4T 1A3

Call: 705-721-1212

www.napoleonfireplaces.com • www.fireplacedesignstudio.com

Consult your owner's manual for complete installation instructions. All specifications are subject to change without prior notice due to on-going product improvements. Patent US 5.307.801, 5.303.693, 75054 CAN.2.073.411, 2.082.915, 74589. Patents Pending. Wolf Steel Ltd.

Walls and floors that are not straight or level must be considered during installation. Colours and textures shown may vary from actual product.



Quality System Certified by
ISO
9001-2000



Authorized Dealer

ADBR853-08/2006