



Middle Atlantic Products, Inc.

middleatlantic.com

Seismic Certified Riser Bases provide advanced cable management and are ideal for use in seismic applications

Features

- 11-gauge fully welded construction
- 1,000 lb. weight capacity for single bay, 1,500 lbs. for 2 bay and 2,250 lbs. for 3 bay
- Seismic certified bases allow for field rough-in prior to arrival of racks and enclosures
- Seismic certified with an Ip value of 1.5
- Available in 24", 31", and 36" depths
- Offered in single bay to three bay configurations
- Seismic certified bases act as a lower cable chase for passing cables between racks in multi-bay installations
- Ideal for use in raised floor installations and in environments that require seismic certification
- Durable black textured powder coat finish
- Only 4 feet per riser base to save on installation time



SRB SERIES

Architects' and Engineers' Specifications

Seismic certified riser base shall be Middle Atlantic Products model # SRB-__-MRK-__ 24 (refer to chart) to accommodate __ qty (1,2,3) MRK / VRK / VMRK Series racks. Seismic certified riser base shall be constructed of 11-gauge steel and shall be 24" H x __" W x __" D (refer to chart). Seismic certified riser bases shall be finished with a durable textured black powdercoat finish. Seismic certified riser bases satisfy the UBC 1997 & CBC 2001 Seismic Zone 4; IBC 2000, IBC 2003, 2002 ASCE 7 - 02, and 2003 NFPA 5000 Seismic Use group III requirements for protecting 1,000 lbs. of essential equipment (1 Bay), 1,500 lbs. of essential equipment (2 Bay), and 2,250 lbs. of essential equipment (3 Bay) in upper floor installations when used in conjunction with the MRK/VRK-Z4 floor anchor brackets. Seismic certified riser base shall be warranted to be free from defects in material or workmanship under normal use and conditions for the lifetime of the product.

OPTIONS

- Support angles shall be Middle Atlantic Products model # ANGLE-__ (for use in conjunction with raised floors) for use with __ (1,2,3) bay. Support angles shall be constructed from 11-gauge steel and be phosphate pre-treated and finished in a durable black powder coat.
- Custom heights from 9" - 24" available upon request

customizable specification clips available at middleatlantic.com

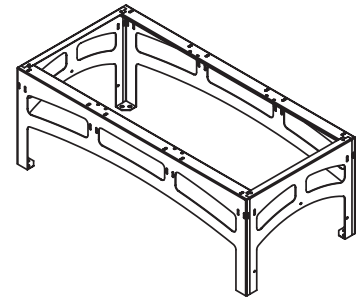
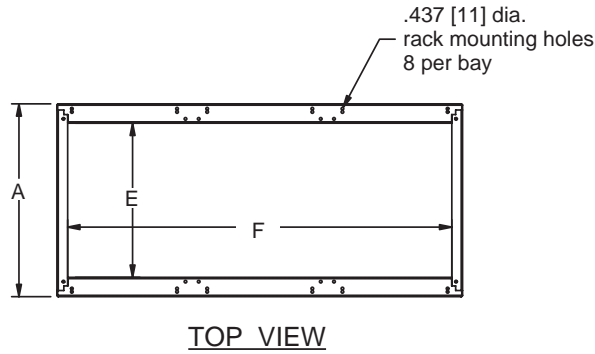
Engineered Mounting Solutions

US: New Jersey • California • Illinois • Voice: 973-839-1011 Fax: 973-839-1976 • middleatlantic.com
Canada: Ontario • British Columbia • Voice: 613-836-2501 Fax: 613-836-2690 • middleatlantic.ca

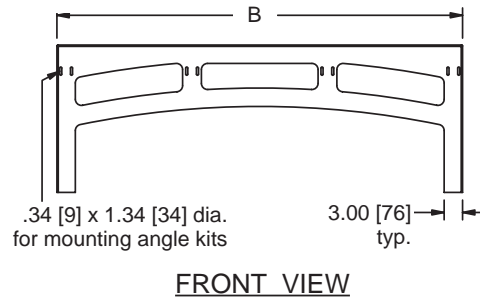
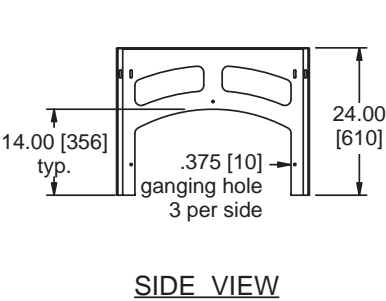
SRB basic dimensions



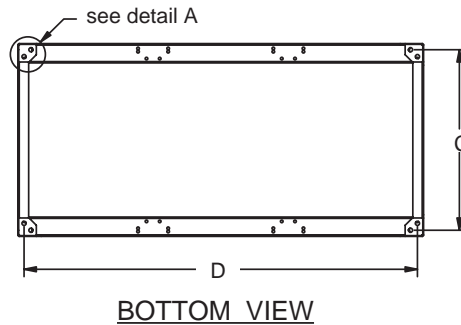
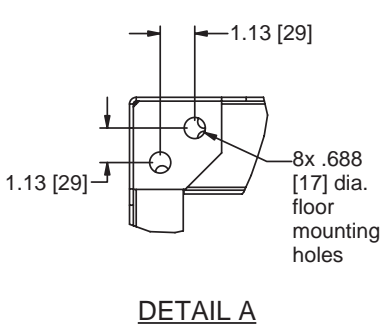
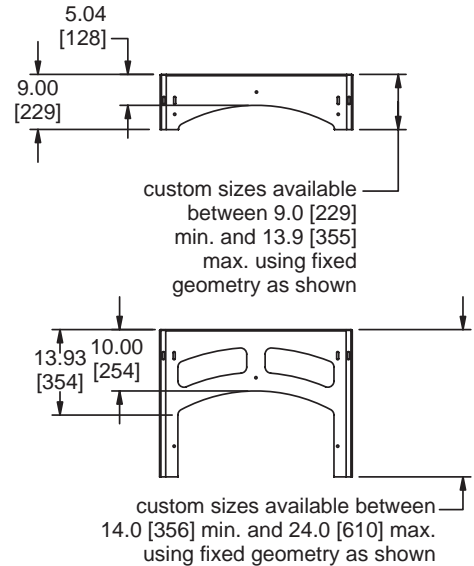
All dimensions in inches unless otherwise noted [All dimensions in brackets are millimeters]



NOTE: Z4 Mounting brackets required:
MRK-Z4 - For MRK / VMRK series racks - 1 per rack
VRK-Z4 - For VRK series racks - 1 per rack



CUSTOM SIZES



Part #	A Depth	B Width	C Depth Mounting Hole center to center	D Width Mounting Hole center to center	E Opening Depth	F Opening Width
SRB-1-MRK-2424	24.00 [610]	22.00 [559]	22.00 [559]	20.00 [508]	17.70 [450]	18.50 [470]
SRB-2-MRK-2424	24.00 [610]	44.03 [1118]	22.00 [559]	42.03 [1068]	17.70 [450]	40.53 [1029]
SRB-3-MRK-2424	24.00 [610]	66.06 [1678]	22.00 [559]	64.06 [1627]	17.70 [450]	62.56 [1589]
SRB-1-MRK-3124	31.40 [798]	22.00 [559]	29.40 [747]	20.00 [508]	25.10 [638]	18.50 [470]
SRB-2-MRK-3124	31.40 [798]	44.03 [1118]	29.40 [747]	42.03 [1068]	25.10 [638]	40.53 [1029]
SRB-3-MRK-3124	31.40 [798]	66.06 [1678]	29.40 [747]	64.06 [1627]	25.10 [638]	62.56 [1589]
SRB-1-MRK-3624	36.00 [914]	22.00 [559]	34.00 [864]	20.00 [508]	29.70 [754]	18.50 [470]
SRB-2-MRK-3624	36.00 [914]	44.03 [1118]	34.00 [864]	42.03 [1068]	29.70 [754]	40.53 [1029]
SRB-3-MRK-3624	36.00 [914]	66.06 [1678]	34.00 [864]	64.06 [1627]	29.70 [754]	62.56 [1589]